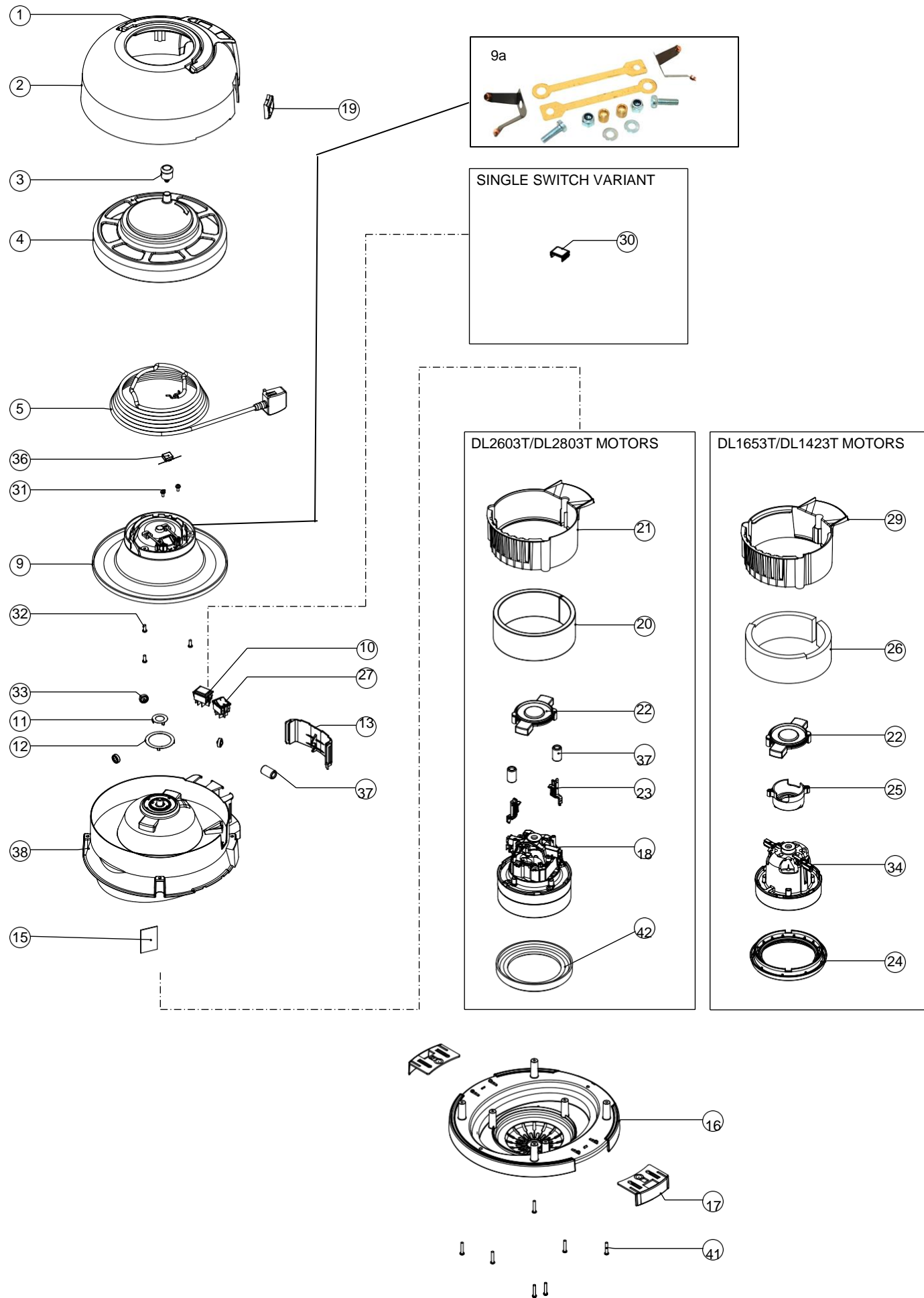


Numatic International Spare Parts

Model No: HEAD STYLE 1 ASSEMBLY 1/2-STAGE 1-SPEED EXPLODED

N/A
DRAWING: DRW-16098 ISS:A21
21/09/2017

Models: HVR, HET, HHR, HVX, HVR*M, VNR, NRV, HDK, HDX, HDH, EVR



Numatic International Spare Parts

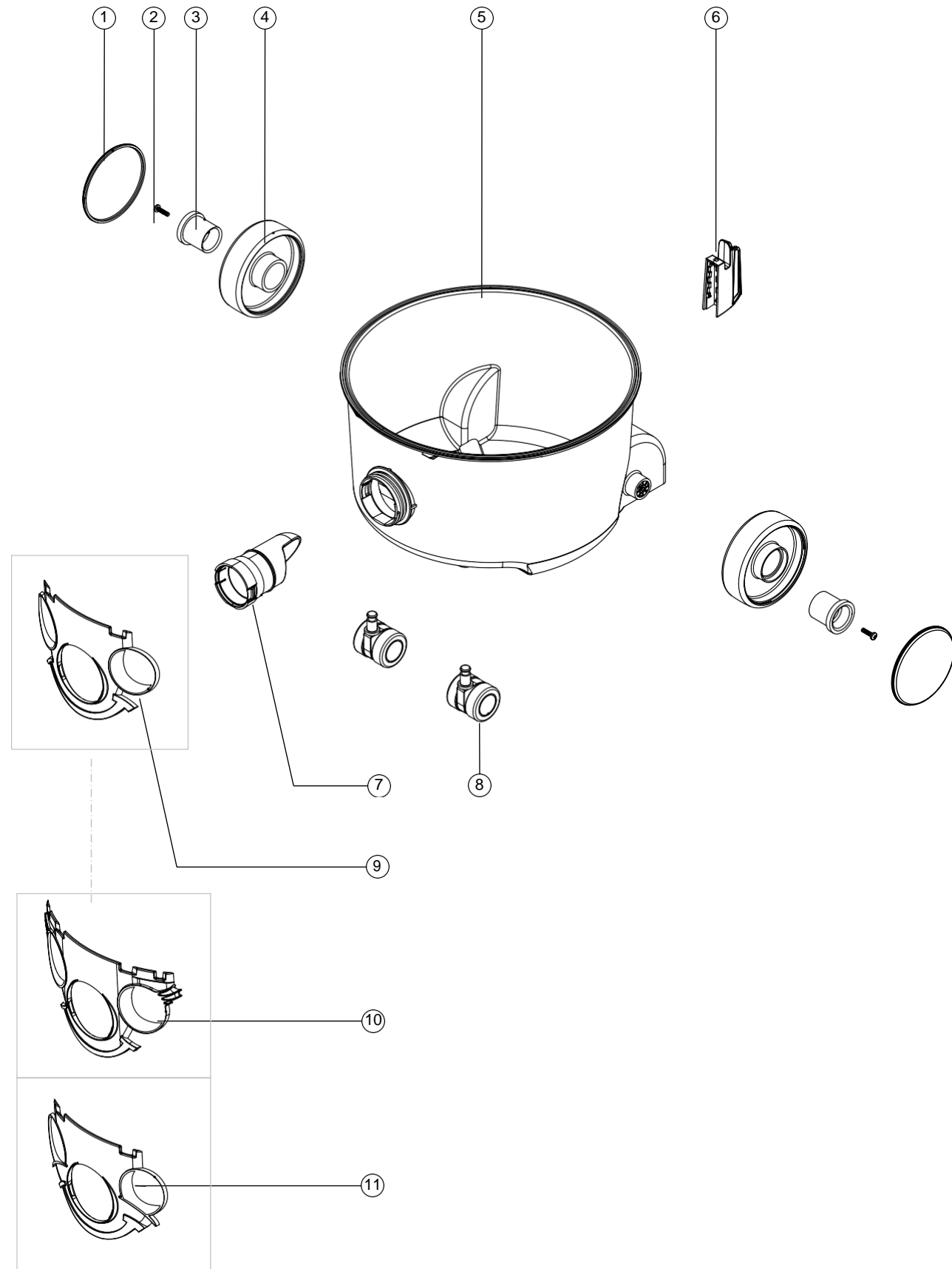
Model No: HEAD STYLE 1 ASSEMBLY 1/2-STAGE 1-SPEED EXPLODED

ITEM:	PART No:	Description	QTY.	COMMENTS:
1	227120	HANDLE - HVR/HET/NRV	1	
2	-	COVER	1	CONTACT NUMATIC FOR DETAILS
3	229617	CABLE REEL WINDER KNOB ASSY	1	
4	910781	CABLE REEL COVER INCLUDES REEL ASSEMBLY (ITEM 9)	1	
5	236044	CABLE 10MX1.00MM C/W PLUG HVR	1	CONTACT NUMATIC FOR MORE DETAILS IF REQUIRED
			1	
			1	
9		REFER ITEM 4 ABOVE - PART 910781	1	
9a	220988	REWIND SPRING CONTACT REPAIR KIT	1	
10	208885	NEON INDICATOR (EVEREL, B71121G000000)	1	
11	227141	INNER CONTACT RING	1	
12	227142	OUTER CONTACT RING	1	
13	229623	SWITCH COVER	1	
15	208951	BLANKING PLATE	1	NOTCHED VERSION USED WITH DL2603T/DL28037
16	237606	BOTTOM MOTOR HOUSING (BI-MATERIAL)	1	
17	229622	TOGGLE (BI-MATERIAL)	2	
18	205740	230V 2 STAGE 600W ECO THRO FLOW FAN MOTOR (DL2603T) TCO	1	
	205640	230V 2 STAGE 800W ECO THRO FLOW FAN MOTOR (DL2803T) TCO		
19	237687	BLACK CABLE ENTRY	1	
20	203020	POD SIDE FELT	1	
21	229621	AIR GUIDE	1	
22	229614	MOTOR PLATE BI -MATERIAL	1	
23	208955	CLIP RETAINER FERRITE BEAD (DL2 MOTOR)	2	
24	237089	BOTTOM MOTOR GASKET - CUP MOTOR	1	
25	237480	ADAPTOR MOTOR (DL1 603T)	1	
26	203038	WRAP-ACOUSTIC	1	
27	220582	GREEN ROCKER SWITCH (WHITE PRINT) 0-1	1	
29	237674	AIRGUIDE (DL1 TYPE)	1	
30	237082	BLANKING PLUG - ROCKER SWITCH	1	USED IN PLACE OF ITEM 10 FOR 1 SWITCH ONLY VARIANT
31	291151	M4 X 10MM LONG T20 SEMS SCREW Z/PL - PRODUCT CODE 8.8 - TX20 HEAD	2	
32	291152	NO8. 1/2 INCH LG. T20. SCREW. Z/PL. PLASTITE	3	
33	901009	ROLLER WHEEL	3	
34	205840	230V SINGLE STAGE THRO FLOW FAN MOTOR (DL1 653T) TCO (620)	1	CARBON BRUSH FOR 205840 WITH WHITE MOTOR TOP IS 230267
36	230096	SUPPRESSOR CAPACITOR ASSEMBLY WITH DISCHARGE RESISTOR (AS SUPPLIED)	1	
37	230097	AXIAL FERRITE BEAD	1	
38	237745	TOP MOTOR HOUSING (HEAD STYLE 1 AND 9) WITH PCB SUPPORT	1	
41	291082	#8 SCREW 1"L T20 PAN HEAD P/L THREAD FORMING	7	
42	227882	BOTTOM MOTOR GASKET	1	

Numatic International Spare Parts

Model No: DRUM STYLE 1 - EXPLODED DIAGRAM

N/A
DRAWING: DRW-15614 ISS:A06
23/12/2014



Numatic International Spare Parts

Model No: DRUM STYLE 1 - EXPLODED DIAGRAM

ITEM:	PART No:	Description	QTY.	COMMENTS:
1	-	WHEEL TRIM	2	
2	219105	No8 X 5/8 INCH LONG POZI PAN PLASTITE SCREW	2	
3	227868	WHEEL HUB FOR 2 SHOT WHEEL	2	
4	227640	2 SHOT WHEEL ASSEMBLY	2	
5	-	DRUM STYLE 1 - PLASTIC 200 - MOULDING ONLY	1	CONTACT NUMATIC FOR DETAILS
6	237578	Wand Dock (Eco)	1	
7	237119	FRONT FIT BAG CONNECTOR	1	
8	204000	40MM PU-TYRED BLACK TWIN WHEEL CASTOR	2	
9	325958	RED HENRY SNAP FIT FACE	1	
10	325962	PINK HETTY SNAP FIT FACE	1	
11	325959	BLUE HENRY SNAP FIT FACE	1	
11a -	325960	GREEN HENRY SNAP FIT FACE		
11b -	325961	YELLOW HENRY SNAP FIT FACE		

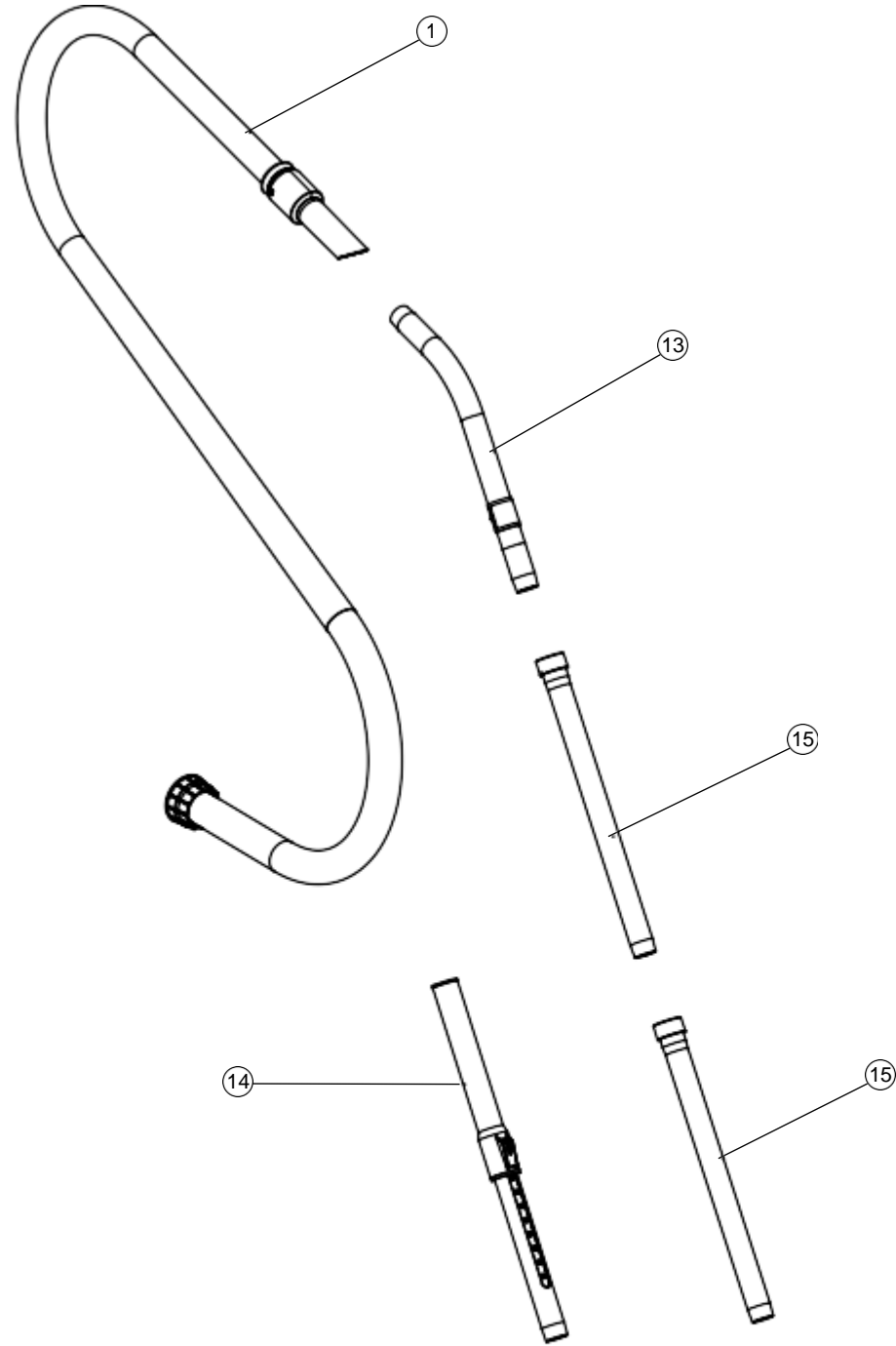
- 1 227687 - RED WHEEL TRIM
- 227688 - BLUE WHEEL TRIM
- 227689 - GREEN WHEEL TRIM
- 227690 - YELLOW WHEEL TRIM
- 229798 - PINK WHEEL TRIM (HETTY)

COMPATIBLE FILTER BAGS - SEE DRW-15712 FOR DETAILS		
DESCRIPTION	ITEM NO.	QTY PER PACK.
NVM-1CH HEPAFLO DUST BAGS	604015	10

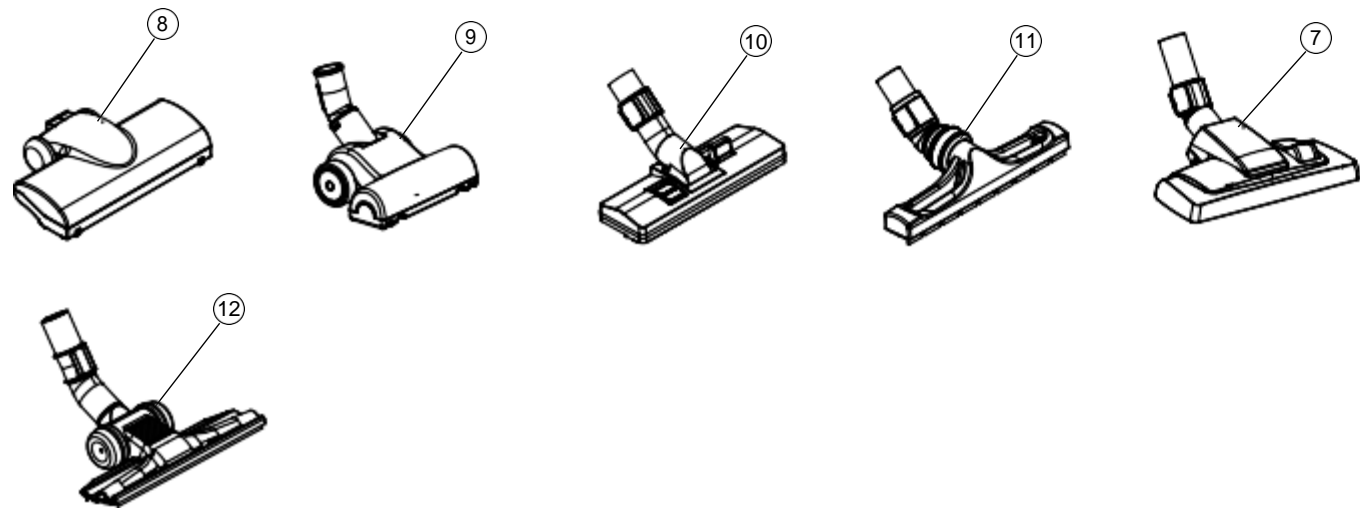
Numatic International Spare Parts

Model No: FLOOR TOOL SELECTION 1 - 12" DRY KIT & ACCESSORIES 32MM

NA
DRAWING: DRW-15709 ISS:A01
23/12/2014



FLOOR NOZZLES



Numatic International Spare Parts

Model No: FLOOR TOOL SELECTION 1 - 12" DRY KIT & ACCESSORIES 32MM

ITEM:	PART No:	Description	QTY.	COMMENTS:
1	914411	FLOMAX 2m CONICAL HOSE 38mm-32mm	1	
2	601144	DUSTING BRUSH 32MM	1	
3	601142	240MM CREVICE TOOL	1	
4	601141	TAPER ADAPTOR 32MM	1	
5	601146	SLIDE-ON BRUSH UPHOLSTERY NOZZLE 32MM	1	
6	601145	UPHOLSTERY NOZZLE 32MM	1	
7	601729	NU295 COMBINATION FLOOR NOZZLE (METAL BASE PLATE)	1	
8	907424	TURBO AIROBRUSH (BLACK)	1	
9	601228	250MM 190 ECO BRUSH FLOOR TOOL 32MM	1	
10	902071	300MM FLOOR NOZZLE ASSY	1	
11	601323	300 ProFlo Exploded	1	
12	601430	FREEFLO 290 NOZZLE 32MM	1	
13	601052	STAINLESS STEEL WAND BEND WITH VOLUME CONTROL	1	
	601051	ALUMINIUM WAND BEND WITH VOLUME CONTROL	1	
14	601045	TELESCOPIC WAND STAINLESS STEEL (32MM X 420MM X 560MM)	1	
15	601008	32MM STAINLESS STEEL EXTENSION TUBE AND COLLAR	2	
16	601024	32MM ALUMINIUM EXTNSION TUBE AND COLLAR	2	

ACCESSORIES

