



NKL - 15 HF

Photographs include extra items for illustration purposes only.



Photographs include extra items for illustration purposes only.

NKL - 16 HF



Photographs include extra items for illustration purposes only.

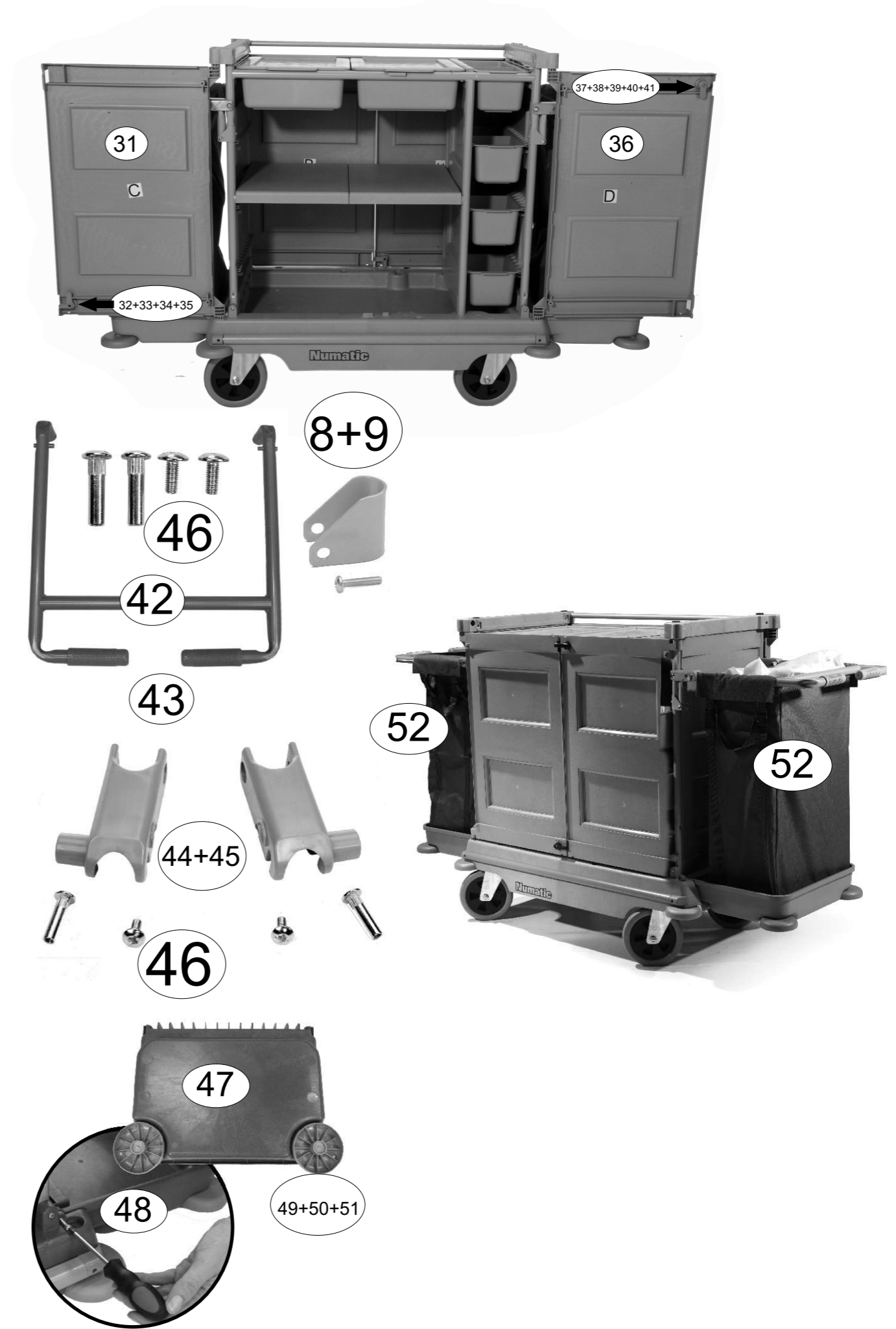
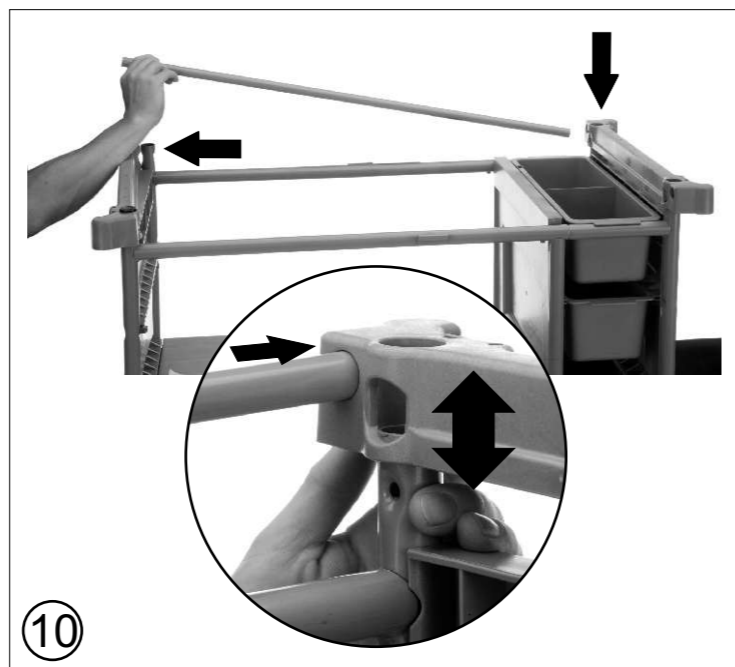
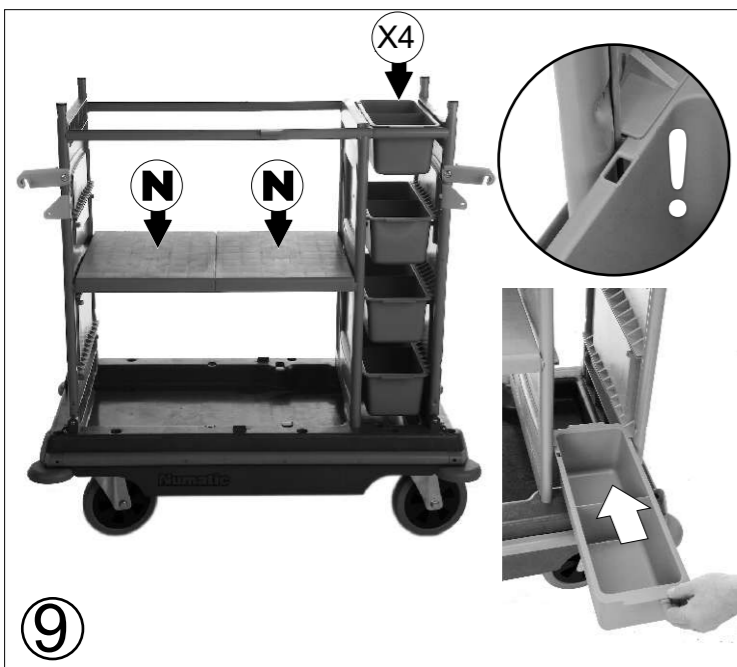
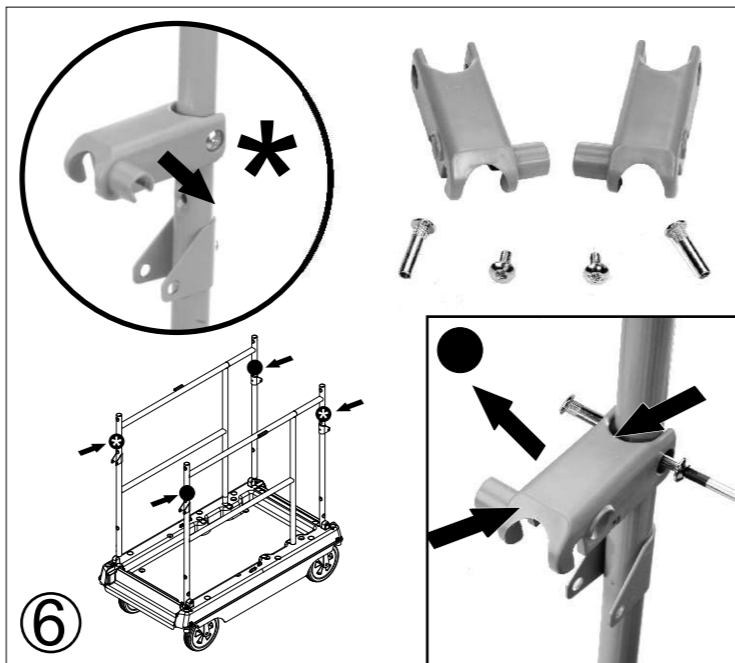
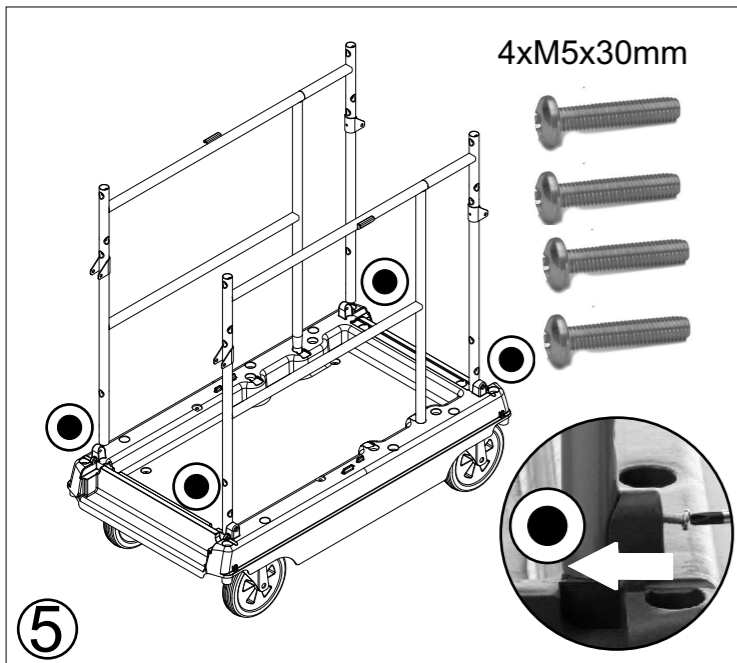
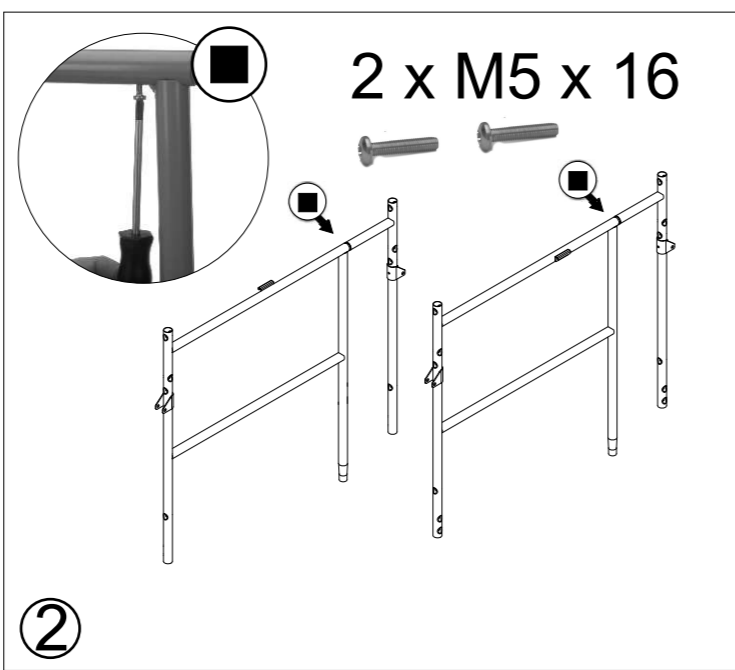
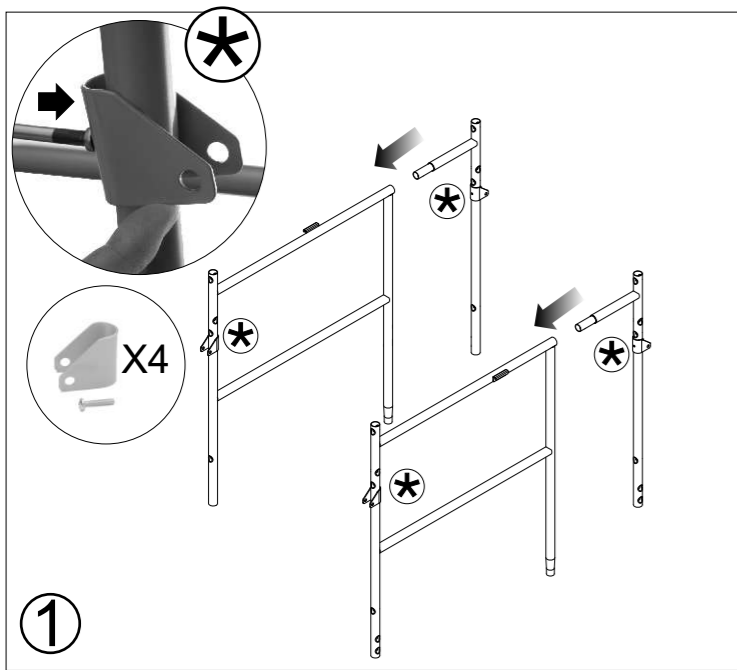
NKL - 17 HF



NKL - 17 HF



Photographs include extra items for illustration purposes only.



ITEM	PART NO	DESCRIPTION
1	338879	TROLLEY BASE (DARK GREY) BASE ASSEMBLY
2	206997	HOLE PLUG SET (GREY)
3	418872	FRONT UPRIGHT FRAME (PAINTED SILVER)
4	418873	REAR UPRIGHT FRAME (PAINTED SILVER)
5	418874	FRONT R.H. UPRIGHT FRAME PAINTED SILVER
6	418900	REAR R.H UPRIGHT FRAME PAINTED SILVER
7	20637V	25.4MM TUBE END STOP
8	418760	LID FRAME MOUNTING BRACKET (PAINT SILVER)
9	219050	M5.16MM LG.POZI-PAN.SCREW
10	219554	ALLEN KEY 5MM X 85MM LONG
11	219555	M8.25MM LG.SOCKET.BOLT
12	221154	WASHER.M8.FORM C.21MM
13	418899	LID SUPPORT TUBE(PAINTED SILVER) LONG
14	223390	DOOR MOUNTING
15	219057	M5.25MM LG.POZI-PAN.SCREW.
16	325201	DEEP TRAY (PLAIN- HINGED) PLUS LID
17	325202	DEEP TRAY (DIVIDED-HINGED) PLUS LID
18	223129	(7042) HALF TRAY
19	223105	SHELF (NARROW)
20	-338902	DOOR GREY (PROCESSED X 2)(UNPRINTED)(A1)
21	219667	NO6.1/2 INCH LG.POZI-PAN.SCREW.
22	223407	TWISTLOCK BODY(LONG)
23	223408	TWISTLOCK
24	-338903	DOOR(B)
25	219667	NO6.1/2 INCH LG.POZI-PAN.SCREW.
27	223406	TWISTLOCK BODY(SHORT)
28	223408	TWISTLOCK
29	223395	PANEL
30	299020	M5.30MM LG.POZI-PAN.SCREW.
31	-338899	DOOR GREY(PRINTED) (PROCESSED)(C)
32	219602	NO6. INCH LG.POZI-PAN.SCREW.
33	219667	NO6.1/2 INCH LG.POZI-PAN.SCREW.
34	223405	TWISTLOCK KEY
35	223407	TWISTLOCK BODY(LONG)
36	-338897	DOOR (PRINTED) 'D'
37	219602	NO6. INCH LG.POZI-PAN.SCREW.
38	219667	NO6.1/2 INCH LG.POZI-PAN.SCREW.
39	223405	TWISTLOCK KEY
40	223406	TWISTLOCK BODY(SHORT)
41	223408	TWISTLOCK
42	418759	BAG FRAME (PAINT SILVER)
43	206852	HANDLE GRIP (GREY)
44	227966	LEFT HAND REVERSE PIVOT CLAMP (GREY)
45	227969	RIGHT HAND REVERSE PIVOT CLAMP (GREY)
46	219802	M6 CONNECTING SCREW
47	223393	BAG SUPPORT TRAY
48	219054	M5.20MM LG.POZI-PAN.SCREW
49	227479	BUFFER
50	206792	BUFFER CAP (GREY)
51	219104	NO8.1 INCH LG.POZI-PAN.SCREW.
52	618001	100-LITRE LAUNDRY BAG
53	223405	TWISTLOCK KEY

