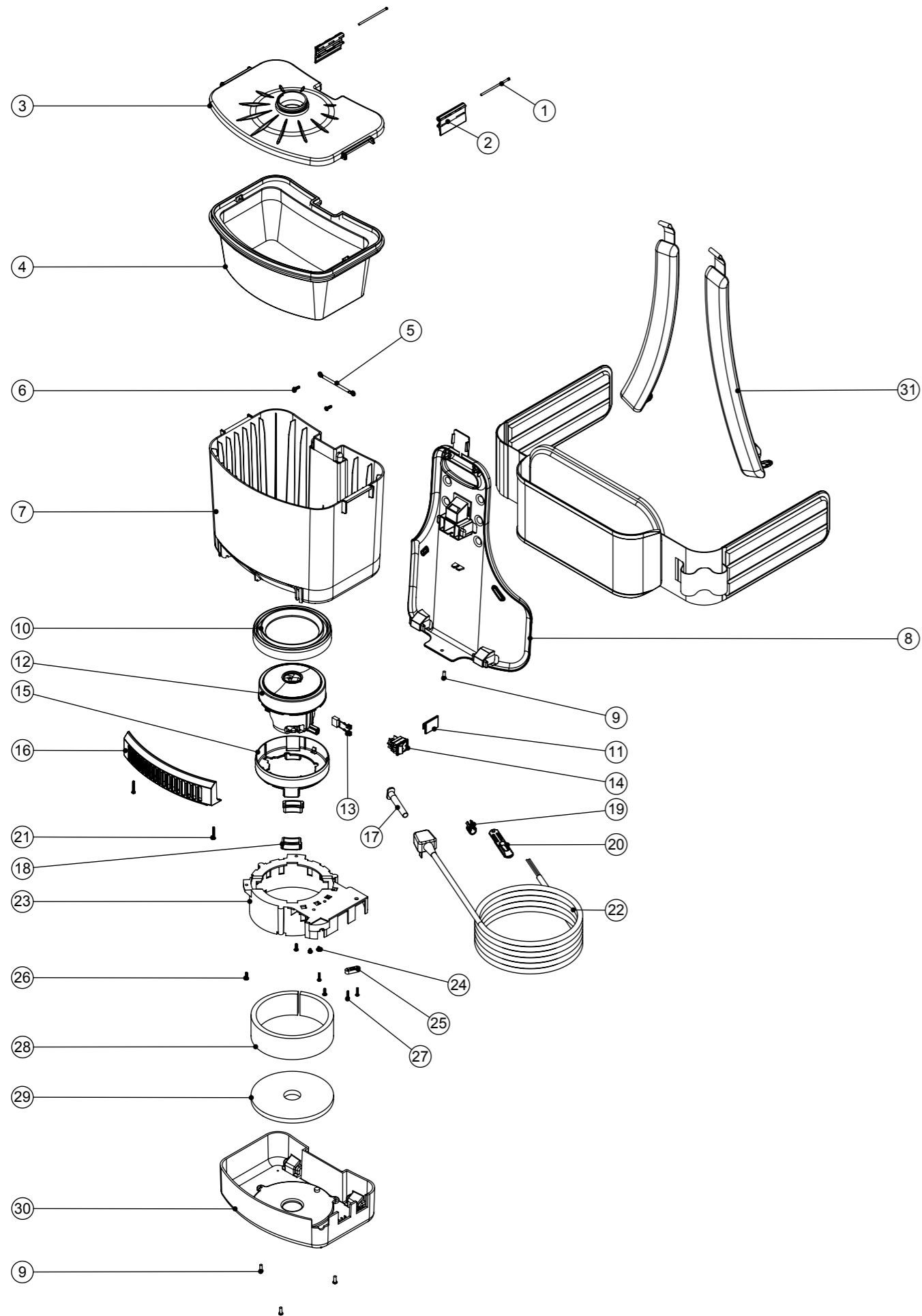


Numatic International Spare Parts

Model No: HEAD STYLE 6 - 130 (240V) EXPLODED DIAGRAM

Models: RSV 130

234104
DRAWING: EXP-0535 ISS:A06
04/11/2012



Numatic International Spare Parts

Model No: HEAD STYLE 6 - 130 (240V) EXPLODED DIAGRAM

ITEM:	PART No:	DESCRIPTION	QTY.	COMMENTS
1	206326	TOGGLE PIN	2	
2	227186	TOGGLE MOULDING	2	
3	227183	LID MOULDING	1	
4	604168	RSV 130 TRITEX FILTER RING & CLOTH	1	
5	206353	HARNESS PIN	1	
6	219601	No8 X 3/8 INCH LONG POZI PAN PLASTITE SCREW	2	
7	-	RSV 130 BODY MOULDING	1	CONTACT NUMATIC FOR DETAILS
8	206504	BACK SUPPORT MOULDING (SHORT)	1	
9	291095	TORX PAN #8 x 1_2"	4	
10	202065	BOTTOM MOTOR GASKET	1	
11	206431	BLANKING PLATE	1	
12	205840	230V SINGLE STAGE THRO FLOW FAN MOTOR (DLI 653T) TCO (620)	1	
13	230136	SUPPRESSOR ASSEMBLY	1	
14	220582	GREEN ROCKER SWITCH (WHITE PRINT) 0-1	1	
15	229514	MOTOR SPACER (CUP MOTOR)	1	
16	227199	DIFFUSER MOULDING (BEC)	1	
17	220923	STRESS RELIEF	1	
18	227885	MOUNTING RUBBER	2	
19	227637	CABLE CLIP	1	
20	227636	STRAIN RELIEF	1	
21	219602	No6 X 1 INCH LONG POZI PAN PLASTITE SCREW (Z/PL)	2	
22	220249	MAINS CABLE (2 WIRE/UK PLUG)	1	
	220502	MAINS CABLE (2 WIRE / CSA PLUG)		
	220251	MAINS CABLE (2 WIRE / EURO PLUG)		
	220467	MAINS CABLE (2 WIRE / SOUTH AFRICAN PLUG)		
	220057	MAINS CABLE (2 WIRE / NO PLUG)		
	220192	MAINS CABLE (2 WIRE / SWISS PLUG)		
23	325025	BLACK MOTOR HOUSING MOULDING	1	
24	219090	M4 X 8MM LONG POZI PAN SEMS SCREW	2	
25	227008	BLACK CABLE CLAMP	1	
26	219101	No8 X 1/2 INCH LONG POZI PAN PLASTITE SCREW	3	
27	219107	No6 X 5/8 INCH LONG POZI PAN PLASTITE SCREW	3	
28	203017	SIDE FELT	1	
29	203016	TOP FELT	1	
30	227184	BASE MOULDING	1	
31	206462	RSV HARNESS ASSEMBLY	1	

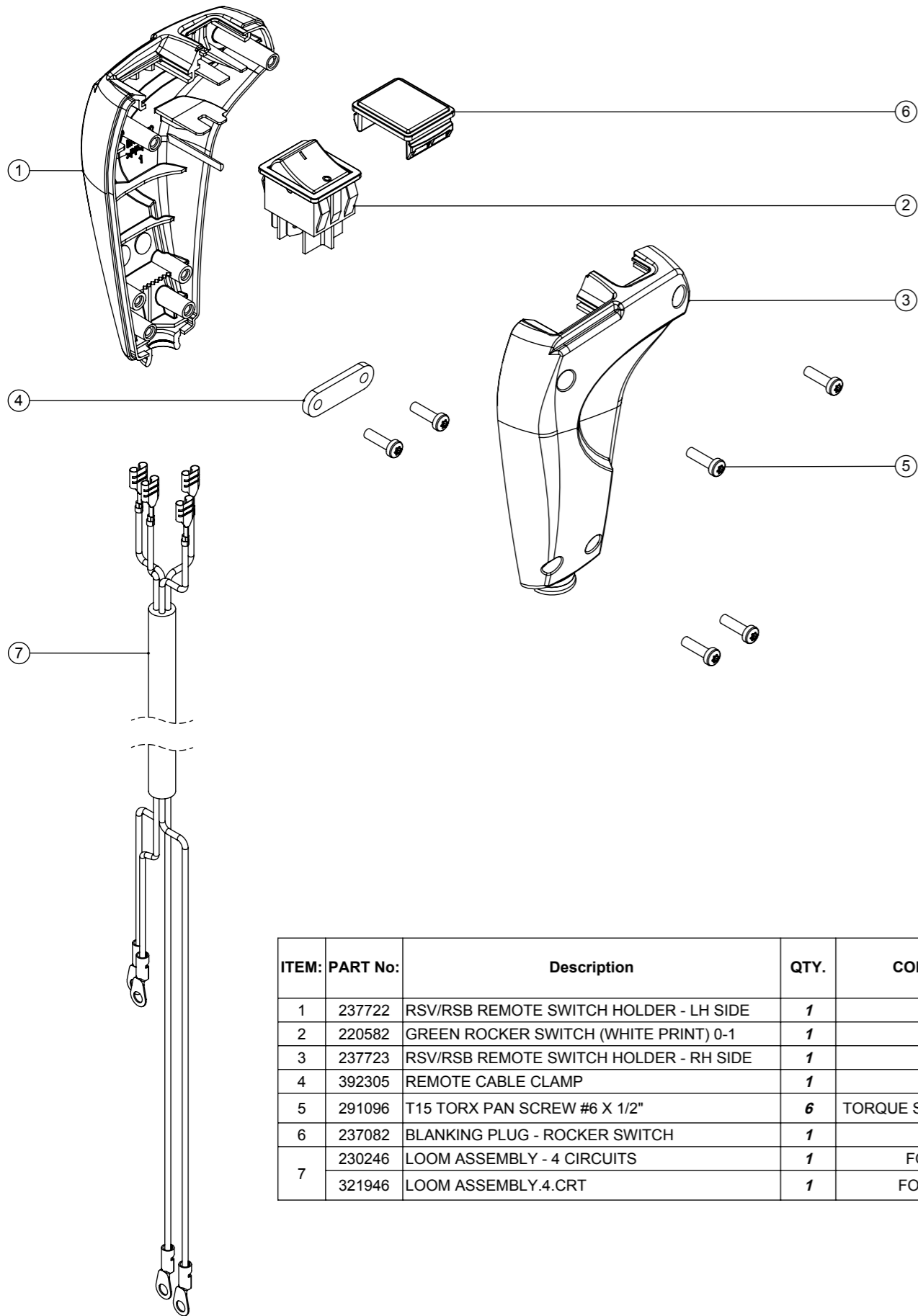
FOR WIRING DIAGRAMS PLEASE SEE DOC-21993 (REFER ONLY TO THE LATEST VERSION) OR NUMATIC WEBSITE

Numatic International Spare Parts

Model No: RSV/RSB REMOTE SWITCH HOLDER - EXPLODED DIAGRAM

1
DRAWING: DRW-18516 ISS:A01
03/12/2014

RSV

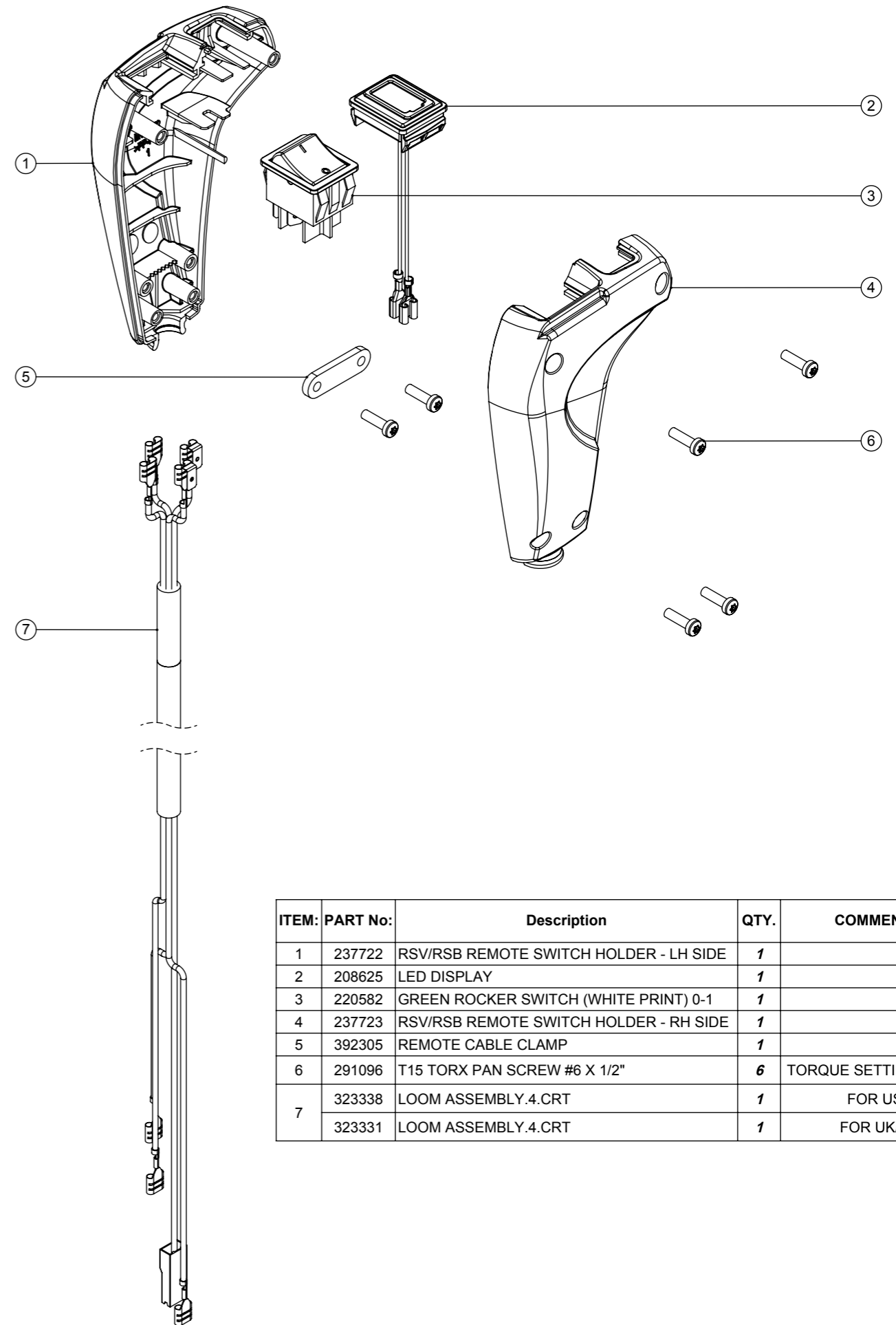


ITEM:	PART No:	Description	QTY.	COMMENTS:
1	237722	RSV/RSB REMOTE SWITCH HOLDER - LH SIDE	1	
2	220582	GREEN ROCKER SWITCH (WHITE PRINT) 0-1	1	
3	237723	RSV/RSB REMOTE SWITCH HOLDER - RH SIDE	1	
4	392305	REMOTE CABLE CLAMP	1	
5	291096	T15 TORX PAN SCREW #6 X 1/2"	6	TORQUE SETTING 1.65Nm
6	237082	BLANKING PLUG - ROCKER SWITCH	1	
7	230246	LOOM ASSEMBLY - 4 CIRCUITS	1	FOR USA
	321946	LOOM ASSEMBLY.4.CRT	1	FOR UK/EU

Numatic International Spare Parts

Model No: RSV/RSB REMOTE SWITCH HOLDER - EXPLODED DIAGRAM

RSB



ITEM:	PART No:	Description	QTY.	COMMENTS:
1	237722	RSV/RSB REMOTE SWITCH HOLDER - LH SIDE	1	
2	208625	LED DISPLAY	1	
3	220582	GREEN ROCKER SWITCH (WHITE PRINT) 0-1	1	
4	237723	RSV/RSB REMOTE SWITCH HOLDER - RH SIDE	1	
5	392305	REMOTE CABLE CLAMP	1	
6	291096	T15 TORX PAN SCREW #6 X 1/2"	6	TORQUE SETTING 1.65Nm
7	323338	LOOM ASSEMBLY.4.CRT	1	FOR USA
	323331	LOOM ASSEMBLY.4.CRT	1	FOR UK/EU