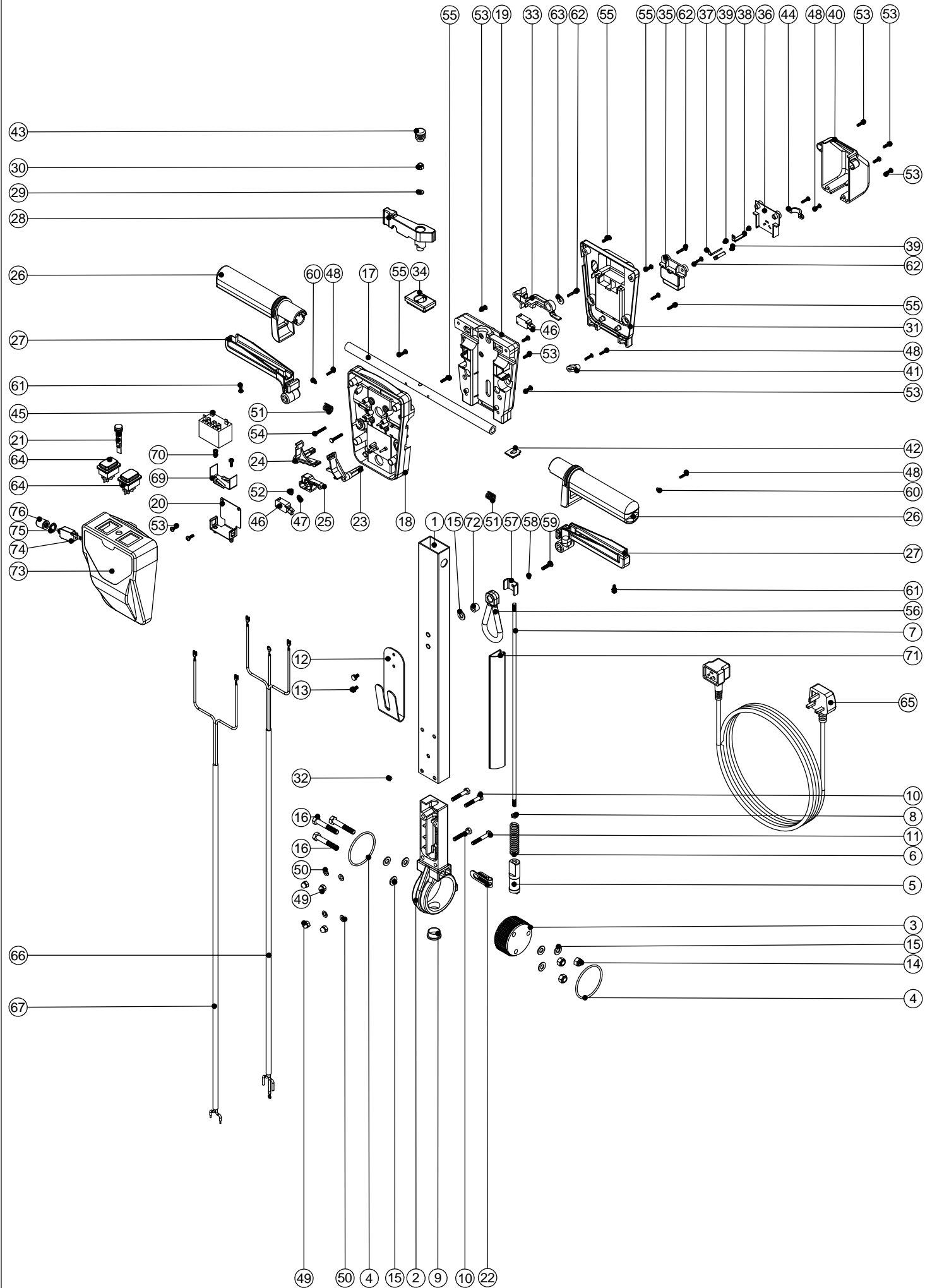


Numatic International Spare Parts

Model No: TT-6650 Handle Assembly

234336
DRAWING: EXP-0767 ISS:A06
28/03/2012



Numatic International Spare Parts

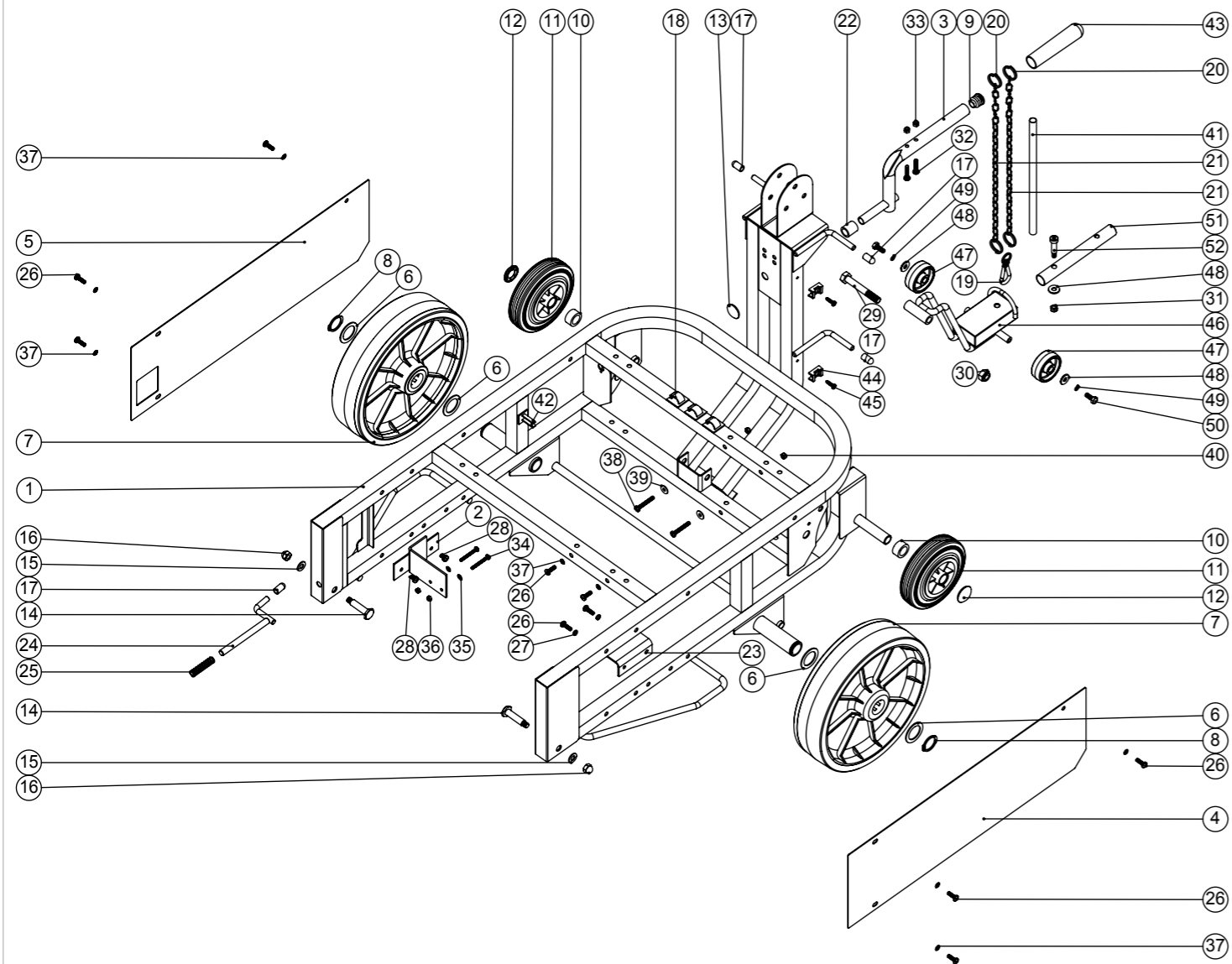
Model No: TT-6650 Handle Assembly

POS:	ITEM NO:	DESCRIPTION:	COMMENTS:
1	429074	430MM PAINTED PROCESSED ALUMINIUM HANDLE	
2	229081	HANDLE CASTING MACHINED	
3	229074	ADJUSTMENT GEAR	
4	219254	O RING 3MM DIA X 60MM I/D	
5	229073	GEAR LOCKING PIN	
6	229138	SPRING	
7	229461	440MM HANDLE LOCKING ROD	
8	219099	M6 HALF NUT	
9	229099	25MM DIA HOLE PLUG	
10	219064	M6 X 35MM LONG HEX BOLT	
11	21965V	M6 X 40MM LONG HEX BOLT	
12	329460	SEPERATOR HANGING BRACKET	
13	219047	M5 X 10MM LONG POZI PAN SEMS SCREW	
14	219078	M8 NYLON INSERT NUT	
15	219010	M8 FORM A WASHER	
16	219091	M8 X 50MM LONG HEX BOLT	
17	338269	CROSS TUBE	
18	227576	FRONT INNER HALF MOULDING	
19	229508	FRONT INNER HALF MOULDING	FLAME RETARDANT CSA MACHINES
20	227577	REAR INNER HALF MOULDING	
21	329484	REAR INNER HALF MOULDING	FLAME RETARDANT CSA MACHINES
22	303526	NUTSERTED RELAY MOUNTING BRACKET	
23	220812	230V NEON INDICATOR & RED LENS	
24	220813	120V NEON INDICATOR & RED LENS	
25	229139	P-CLIP	
26	227585	LEFT HAND SWITCH OPERATING LEVER MOULDING	
27	227586	RIGHT HAND SWITCH OPERATING LEVER MOULDING	
28	227587	CENTRE SWITCH OPERATING LEVER MOULDING	
29	227580	HAND GRIP MOULDING	
30	229500	TRIGGER MOULDING BLUE	
31	227583	ADJUSTMENT LEVER MOULDING	
32	219493	M6 NYLON WASHER	
33	219088	M6 NYLON INSERT NUT	
34	227676	REAR COVER	
35	229507	REAR COVER	FLAME RETARDANT CSA MACHINES
36	229009	BLANKING PLUG	
37	227584	INTERLOCK LEVER MOULDING	
38	227582	HANDLE PLUG MOULDING	
39	227691	TERMINAL BLOCK	
40	229510	TERMINAL BLOCK	FLAME RETARDANT CSA MACHINES
41	227680	TERMINAL BLOCK COVER	
42	229511	TERMINAL BLOCK COVER	FLAME RETARDANT CSA MACHINES
43	206562	CONTACT PIN	
44	206563	EARTH CONTACT PIN	
45	219090	M4 X 8MM LONG POZI PAN SEMS SCREW	
46	227678	SOCKET COVER	
47	229512	SOCKET COVER	FLAME RETARDANT CSA MACHINES
48	227008	BLACK CABLE CLAMP	
49	329485	BLACK CABLE CLAMP	FLAME RETARDANT CSA MACHINES
50	227666	BLANKING PLUG	
51	20638V	19MM BLACK TUBE END STOP	
52	216290	CABLE CLAMP	
53	206575	240V / 25A RELAY	
54	206576	120V / 25A RELAY	
55	229483	SNAP ACTION SWITCH	
56	219805	4MM SPIREFIX	
57	219107	No6 X 5/8 INCH LONG POZI PAN PLASTITE SCREW	
58	219080	M6 DOMENUT	
59	219007	M6 FORM B WASHER	
60	219803	TRIGGER COMPRESSION SPRING	
61	219804	SWITCH COMPRESSION SPRING	
62	219569	No8 X 1/2 INCH POZI PAN STAINLESS STEEL SCREW	
63	219811	NO8 X 1 INCH LONG POZI-PAN SELF TAP SCREW	
64	219105	No8 X 5/8 INCH LONG POZI PAN PLASTITE SCREW	
65	226008	STRESS RELIEF	
66	329231	STRESS RELIEF BRACKET	
67	219016	M5 SHAKEPROOF WASHER	
68	219054	M5 X 20MM LONG POZI PAN SCREW	
69	219206	M4 FORM A WASHER	
70	219270	No8 X 1/2 INCH LONG POZI PAN SELF TAP SCREW	
71	219568	No8 X 3/4 INCH LONG POZI PAN STAINLESS STEEL SCREW	
72	219005	M5 FORM G WASHER	
73	270146	GREEN ILLUMINATED SWITCH + MEMBRANE	
74	236012	20.0M X 1.50MM X 3 CORE NUCABLE (UK PLUG)	
75	236132	20.0M X 1.50MM X 3 CORE X YELLOW CABLE X SOCKET (EURO PLUG)	
76	236020	20.0M X 1.50MM X 3 CORE NUCABLE (SWISS PLUG)	
	236024	20.0M X 1.50MM X 3 CORE NUCABLE (SOUTH AFRICAN PLUG)	
	236032	20.0M X 1.50MM X 3 CORE NUCABLE (AUSTRALIAN PLUG)	
	236028	20.0M X 14AWG X 3 CORE YELLOW CABLE (CSA/USA PLUG)	
	320737	MK2 VAC MOTOR LEAD ASSEMBLY	
	321163	EURO SOLENOID VALVE LEAD ASSEMBLY	
	321164	CSA SOLENOID VALVE LEAD ASSEMBLY	
	320735	MK2 MOTOR LEAD ASSEMBLY	
	206500	RELAY BRACKET	
	219471	M4 X 12MM LONG POZI PAN SEMS SCREW	
	391074	230MM LONG CUT SELF ADHESIVE CABLE DUCTING	
	226006	SPACER (BLACK)	
	229748	FRONT COVER MOULDING (MAINS & BATTERY)	230V/50-60HZ MACHINES
	229750	FRONT COVER MOULDING (MAINS + C B HOLE)	110V/50HZ MACHINES
	229751	FRONT COVER MOULDING (MAINS + C B HOLE)	120V/60 HZ FLAME RETARDENT MACHINES
	220440	8 AMP OVERLOAD	120V/60 HZ MACHINES
	208550	15 AMP OVERLOAD	110V/50HZ MACHINES
	219702	M10 INTERNAL LOCK WASHER	110 & 120V MACHINES
	220459	OVERLOAD DUST COVER	110 & 120V MACHINES

Numatic International Spare Parts

Model No:TT-665 / TT-6650 Chassis Assembly

231907
DRAWING: EXP-0394 ISS:A06
24/09/2009



Numatic International Spare Parts

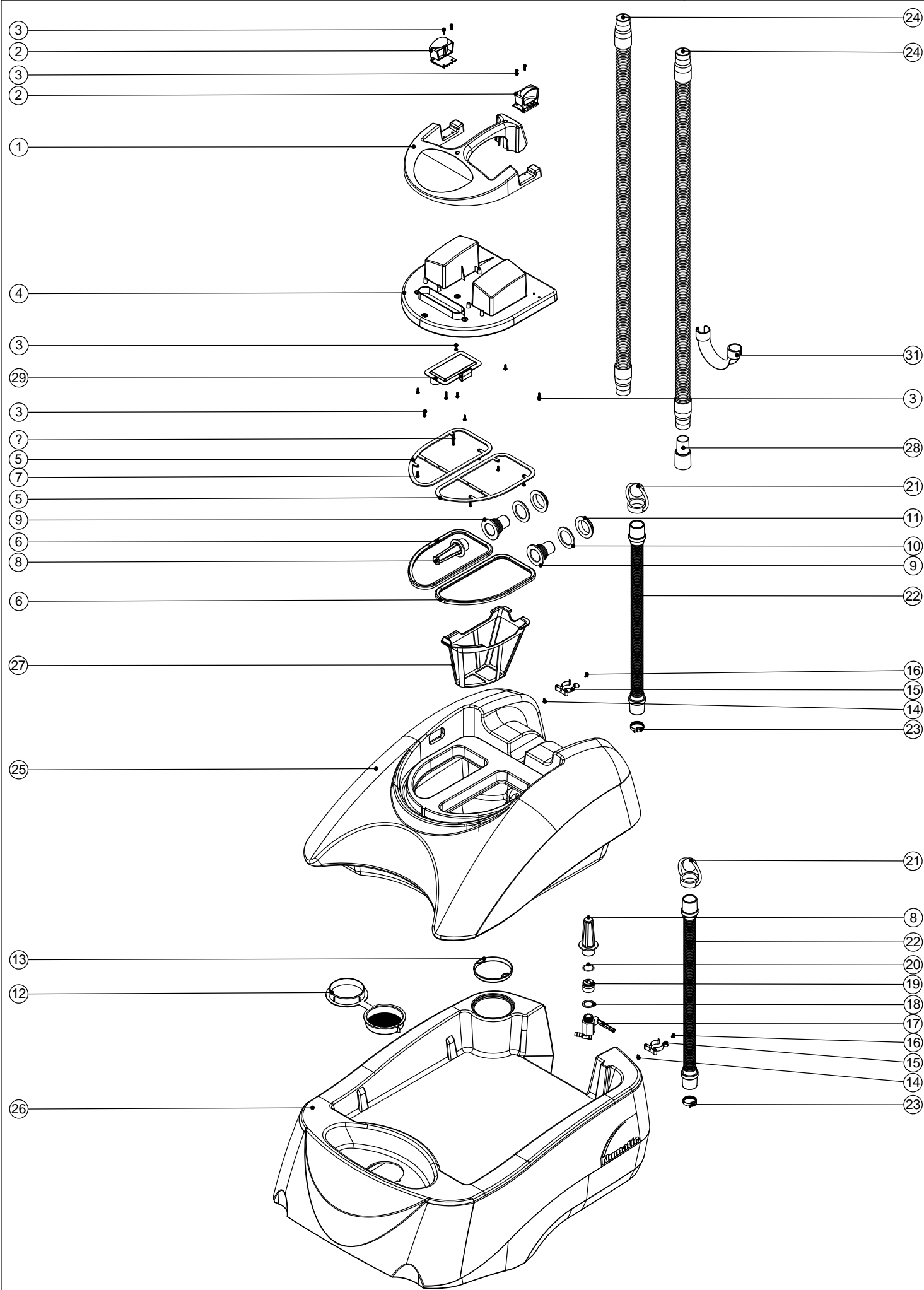
Model No:TT-665 / TT-6650 Chassis Assembly

POS:	ITEM NO:	DESCRIPTION:	COMMENTS:
1	329996	NUTSERTED CHASSIS ASSEMBLY	
2	329646	SOLENOID VALVE WELDED ASSEMBLY	
3	329675	HANDLE WELDED ASSEMBLY	
4	429091	LEFTHAND SIDE PLATE (PAINTED SILVER)	TT-6650 MACHINE
	429032	LEFTHAND SIDE PLATE (PAINTED GREY)	TT-665 MACHINE
5	429092	RIGHTHAND SIDE PLATE (PAINTED SILVER)	TT-6650 MACHINE
	429033	RIGHTHAND SIDE PLATE (PAINTED GREY)	TT-665 MACHINE
6	303617	25.5MM I/D X 37.0MM O/D WASHER	
7	204079	250MM DIAMETER WHEEL WITH GREY POLYURETHENE TYRE	
8	219779	25MM HEAVY DUTY EXTERNAL CIRCLIP	
9	20638V	19MM BLACK TUBE END STOP	
10	219545	WHITE SPACER	
11	229060	WHEEL GREY BLACK HUB	
12	229266	16.0MM CAP	
13	204021	12.7MM STAINLESS STEEL HUB CAP	
14	206236	PIVOT PIN	
15	219010	M8 FORM A WASHER	
16	219077	M8 DOMENUT	
17	229240	END TIP	
18	220403	CABLE CLIP	
19	229292	50MM SWIVEL HOOK	
20	229293	1 INCH (STAINLESS STEEL) SPLIT RING	
21	229289	1/2 INCH X 16G CHAIN (STAINLESS STEEL) WELDED OVAL LINK	
22	229288	NYLON SPACER	
23	329647	PLUNGER PLATE	
24	303483	LOCKING BAR WELDED ASSEMBLY	
25	219797	COMPRESSION SPRING	
26	219547	M5 X 16MM LONG POZI PAN STAINLESS STEEL SCREW	
27	219648	M5 SINGLE COIL WASHER	
28	219047	M5 X 10MM LONG POZI PAN SEMS SCREW	
29	219570	M10 X 70MM LONG HEX BOLT	
30	219649	M10 NYLON INSERT NUT	
31	219642	M6 STAINLESS STEEL NYLON INSERT NUT	
32	219575	M5 X 25MM LONG POZI PAN STAINLESS STEEL SCREW	
33	219076	M5 NYLON INSERT NUT	
34	219703	M4 X 35MM LONG STAINLESS STEEL POZI PAN SCREW	
35	219206	M4 FORM A WASHER	
36	219205	M4 STIFFNUT	
37	219016	M5 SHAKEPROOF WASHER	
38	220033	M5 X 35MM LONG POZI PAN SCREW	
39	219644	M5 FORM G STAINLESS STEEL WASHER	
40	219633	M5 STAINLESS STEEL NYLON INSERT NUT	
41	219660	10MM I/D X 0.5MM WALL BLACK PVC SLEEVING	
42	219464	CLIP (24MM HIGH)	
43	229344	3/4 INCH HAND GRIP	
44	220904	CABLE CLIP PLATFORM	
45	219036	No8 X 5/8 INCH LONG POZI PAN SELF TAPPING SCREW	
46	303874	ALUMINIUM FLOOR TOOL CONNECTOR WELDED ASSEMBLY	
47	206712	50MM DIAMETER BLACK WHEEL	
48	219647	M6 FORM G STAINLESS STEEL WASHER	
49	219718	M6 STAINLESS STEEL SPRING WASHER	
50	219719	M6 X 16MM LONG HEXAGONAL STAINLESS STEEL HEAD BOLT	
51	303854	FLOOR TOOL PIVOT TUBE	
52	219673	M8 X 25MM LONG SOCKET SHOULDER SCREW	

Numatic International Spare Parts

Model No:TT-6650/TTB-6652/TTB-6652ST Tank/Separator Assy

234337
DRAWING: EXP-0768 ISS:A04
11/05/2010



Numatic International Spare Parts

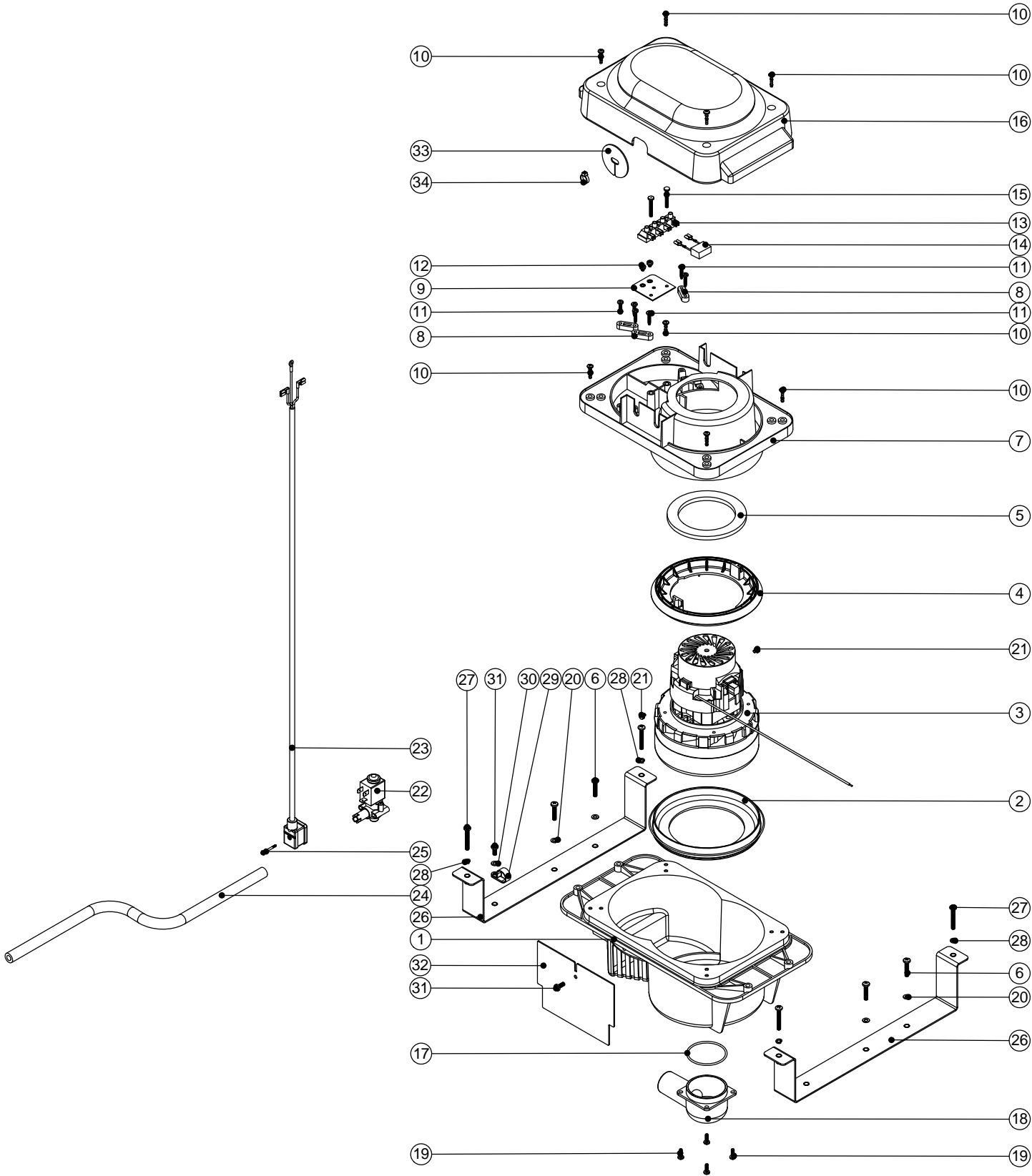
Model No:TT-6650/TTB-6652/TTB-6652ST Tank/Separator Assy

POS:	ITEM NO:	DESCRIPTION:	COMMENTS:
1	229493	SEPARATOR TOP	
2	229494	CLIP MOULDING	
3	219569	No8 X 1/2 INCH LONG POZI PAN STAINLESS STEEL PLASTITE SCREW	
4	303604	PROCESSED SEPARATOR MOULDING (S TYPE)	
5	329408	GASKET SUPPORT RING	
6	202110	SEALING GASKET	
7	219852	NO6 X 1/2 LONG POZI PAN STAINLESS STEEL SELF TAP SCREW	
8	206265	BARREL FILTER	
9	206228	DRAIN HOSE CONNECTOR	
10	219310	RUBBER WASHER	
11	206116	BLACK NUT	
12	229282	FILTER CAP	
13	219452	100MM DIAMETER HOLE PLUG	
14	219688	M4 FORM A STAINLESS STEEL WASHER	
15	219665	TOOL CLIP	
16	219697	M4 X 8MM LONG POZI PAN STAINLESS STEEL SCREW	
17	206597	TANK TAP	
18	202067	SEALING GASKET	
19	206274	FILTER CONNECTOR	
20	219626	23MM I/D X 2.5MM SECTION O RING	
21	206111	HOSE CLOSURE	
22	213019	DUMP HOSE ASSEMBLY	
23	219674	30/40MM DIAMETER STAINLESS STEEL JUBILEE CLIP	
24	206696	1200MM LONG SUCTION HOSE	TT-6650 MACHINES
	206698	1500MM LONG HOSE ASSEMBLY	TTB-6652/TTB-6652ST MACHINES
25	229566	BLUE TOP TANK MOULDING (MAINS & BATTERY MACHINES)	
26	229567	BLUE BOTTOM TANK MOULDING (MAINS MACHINES)	TT-6650 MACHINES
	229568	BLUE BOTTOM TANK MOULDING (BATTERY MACHINES)	TTB-6652/TTB-6652ST MACHINES
27	207000	GRIT FILTER BASKET	
28	237220	38/32MM ADAPTOR	
29	237090	SEPARATOR FLOAT MOULDING (MK 2)	
30	219568	No8 X 3/4 INCH LONG POZI PAN STAINLESS STEEL SCREW	
31	206512	HOSE HOOK	TTB-6652/TTB-6652ST MACHINES

Numatic International Spare Parts

Model No: TT-6650 Vac Pod Assembly

234338
DRAWING: EXP-0769 ISS:A03
27/01/2011



Numatic International Spare Parts

Model No: TT-6650 Vac Pod Assembly

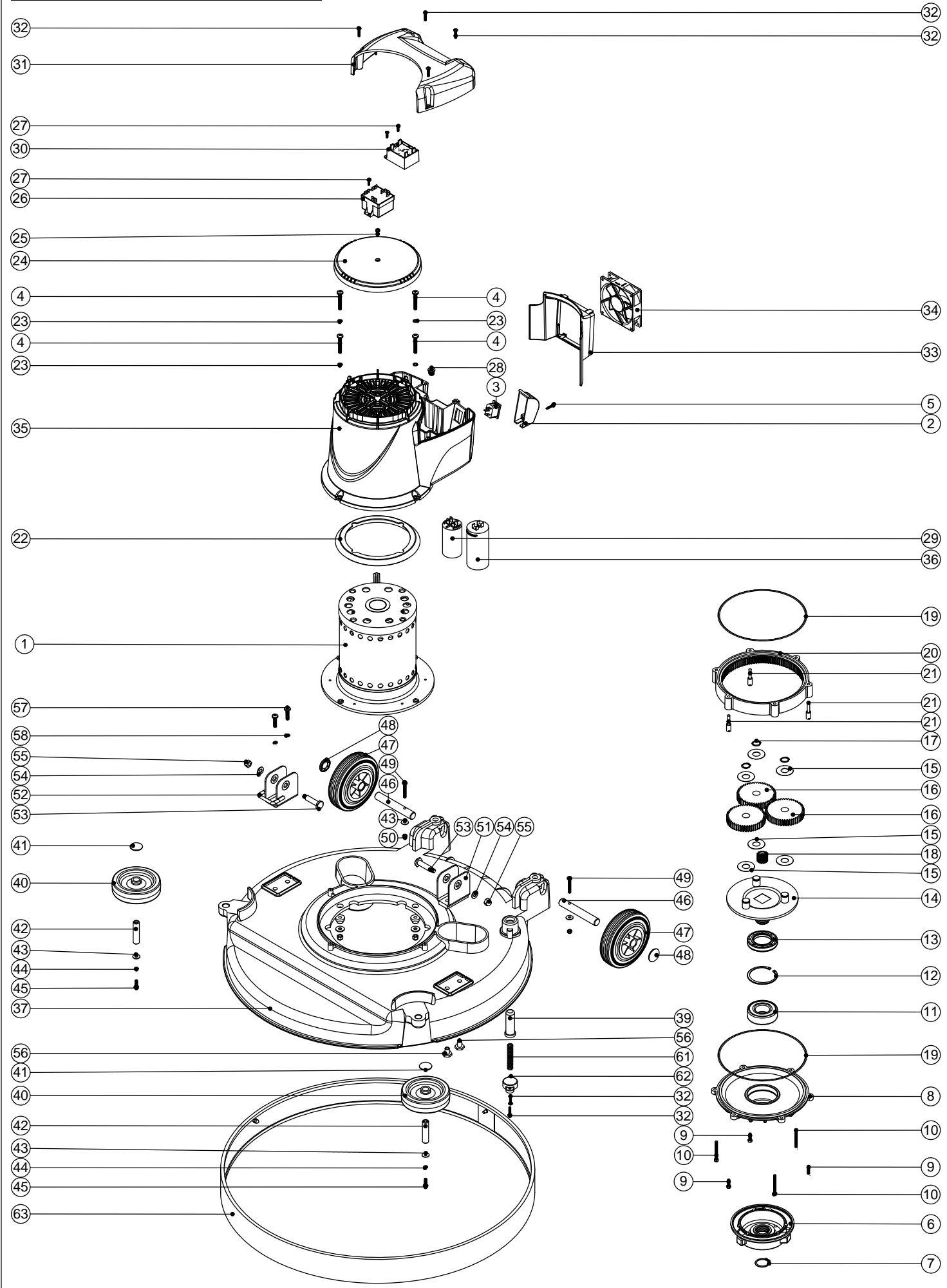
POS:	ITEM NO:	DESCRIPTION:	COMMENTS:
1	303905	BOTTOM MOTOR HOUSING (PROCESSED / FLAME RETARDENT)	STANDARD MACHINES
	227231	BOTTOM MOTOR HOUSING	120V CSA MACHINES
2	202111	BOTTOM MOTOR GASKET	
3	205443	240V 2 STAGE D.I BYPASS ACUSTEK MOTOR (BL21104T) (MARKED 230V) TCO	
	205409	120V 2 STAGE D.I BYPASS ACUSTEK MOTOR (BL21101T) TCO	
4	202107	TOP MOTOR GASKET	
5	202078	MOTOR CAP GASKET	
6	219575	M5 X 25MM LONG POZI PAN STAINLESS STEEL SCREW	
7	229998	VAC POD TOP MOTOR HOUSING C/W TAPPEX	STANDARD MACHINES
	229993	VAC POD TOP MOTOR HOUSING C/W TAPPEX	120V CSA MACHINES
8	227008	BLACK CABLE CLAMP	
9	303291	TERMINAL BLOCK FIXING BRACKET	
10	219568	No8 X 3/4 INCH LONG POZI PAN STAINLESS STEEL SCREW	
11	219107	No6 X 5/8 INCH LONG POZI PAN PLASTITE SCREW	
12	219090	M4 X 8MM LONG POZI PAN SEMS SCREW	
13	220204	TERMINAL BLOCK	
14	321068	SUPPRESOR ASSEMBLY	
15	219321	M4 X 30MM LONG POZI PAN SCREW	
16	229206	VAC POD TOP COVER MOULDING	STANDARD MACHINES
	227233	VAC POD TOP COVER MOULDING	120V CSA MACHINES
17	219561	51.6MM I/D O RING	
18	229207	INLET TUBE	
19	219569	No8 X 1/2 INCH POZI PAN STAINLESS STEEL SCREW	
20	219003	M5 FORM A STEEL WASHER	
21	219566	M4 X 6MM LONG POZI PAN SCREW	
22	220348	SOLENOID VALVE 240V 50/60HZ	
	220349	SOLENOID VALVE 220V 50/60HZ	
	220350	SOLENOID VALVE 110V 50HZ	
	220425	SOLENOID VALVE 110/120V 50/60HZ	
23	320533	SOLENOID VALVE LEAD ASSEMBLY (MOULDED PLUG)	STANDARD MACHINES
	320534	SOLENOID VALVE LEAD ASSEMBLY (C/W MPM CONNECTOR)	120V CSA MACHINES
24	229168	SILICON TUBE 8MM I/D X 3.2MM WALL SECTION	
25	219694	M3 X 25MM LONG MPM CONNECTOR SCREW	
26	303638	NUTSERTED VAC POD BRACKET	
27	219661	M5 X 35MM LONG POZI PAN STAINLESS STEEL SCREW	
28	219861	M5 SINGLE COIL STAINLESS STEEL WASHER	
29	219514	P-CLIP	
30	219355	M5 FORM A STAINLESS STEEL WASHER	
31	219740	M5 X 12MM LONG STAINLESS STEEL POZI PAN SCREW	
32	392009	DIVERTER PLATE	
33	392010	DIVERTER DISC	
34	220007	CABLE TIE (BLACK)	

Numatic International Spare Parts

Model No: TT-6650S Base / Deck Assembly

234693
DRAWING: DRW-4622 ISS:A03
17/05/2010

NB: FOR WIRING SEE DRAWING: WD-0210



Numatic International Spare Parts

Model No: TT-6650S Base / Deck Assembly

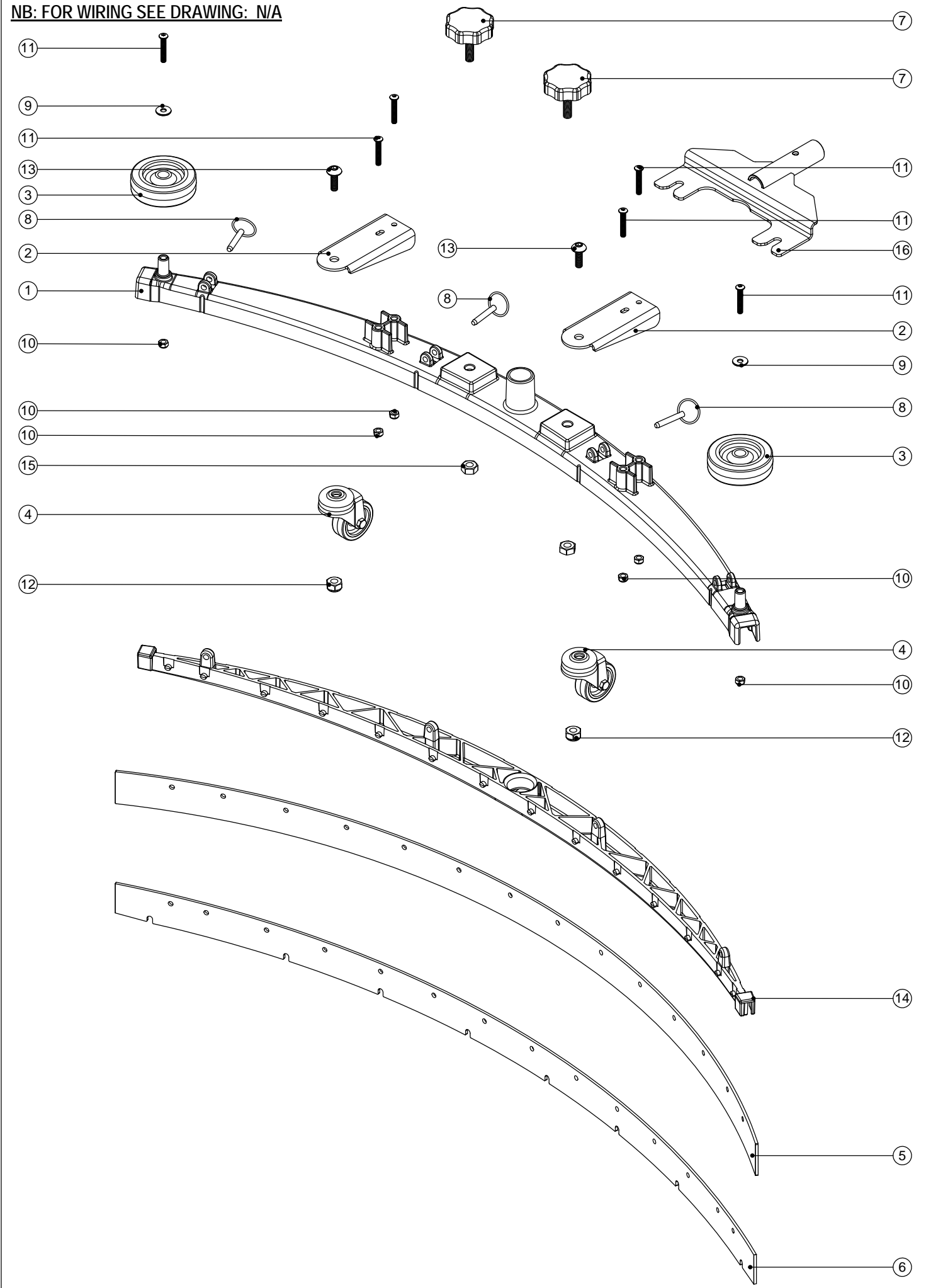
POS:	ITEM NO:	DESCRIPTION:	COMMENTS:
1	205217	COMBINED INDUCTION MOTOR 4POLE 220-240V 50Hz	
	205219	COMBINED INDUCTION MOTOR 4POLE 220V 60Hz	
	205220	COMBINED INDUCTION MOTOR 4POLE 120V 60Hz	
	205221	COMBINED INDUCTION MOTOR 4POLE 110V 50Hz	
2	229213	PLUG COVER	
3	220584	RENDAR CLIP IN PLUG	
4	219982	M6 X 40MM LONG POZI PAN STAINLESS STEEL SCREW	
5	219107	No6 X 5/8 INCH LONG POZI PAN PLASTITE SCREW	
6	230207	CHUCK	
7	230048	26MM EXTERNAL CIRCLIP	
8	230208	DIE CAST BOTTOM PLATE ASSEMBLY	
9	219904	M5 X16MM LONG HEXAGONAL STAINLESS STEEL BOLT	
10	219706	M5 X 45MM LONG STAINLESS STEEL HEXAGONAL BOLT	
11	230094	62MM O/D X 30MM I/D X 20MM BEARING (WITH SEALS)	
12	230200	62MM INTERNAL CIRCLIP	
13	230158	VITON OIL SEAL (BROWN)	
14	230291	PLANET CARRIER & PIN ASSEMBLY (50HZ STANDARD SPEED)	
15	230215	35MM X 15 I/D ALUMINIUM WASHER	
16	230013	48 TOOTH SPUR GEAR(STANDARD SPEED 50/60HZ)	
17	230015	15MM EXTERNAL CIRCLIP	
18	230027	12 TOOTH PINION GEAR (STANDARD SPEED)	
19	230001	V OIL SEAL	
20	214115	GEAR BOX MID SECTION	
21	208207	GEARBOX FASTENER WITH SLOT	
22	227556	TOP MOTOR GASKET	
23	219544	M6 SHAKEPROOF WASHER	
24	229971	CAP MOULDING	
25	219471	M4 X 12MM LONG POZI PAN SEMS SCREW	
26	206823	230V SINGLE SPEED VOLTAGE RELAY	220V & 230V MACHINES
	206822	110V/120V VOLTAGE RELAY	110V & 120V MACHINES
27	219318	No6 X 1/2 INCH LONG POZI PAN PLASTITE SCREW	
28	219453	M8 MULTISERT	
29	220876	20 MFD MOTOR RUN CAPACITOR (450V)	220V & 230V MACHINES
	208211	80uF MOTOR RUN CAPACITOR	120V MACHINES
	208219	70uF MOTOR RUN CAPACITOR	110V MACHINES
30	206753	UNIVERSAL POWER SUPPLY	
31	237071	GRAPHITE LID MOULDING	
32	219568	No8 X 3/4 INCH LONG POZI PAN STAINLESS STEEL SCREW	
33	229972	FAN GUARD MOULDING	
34	205072	PROCESSED 12V DC BRUSHLESS FAN	
35	328132	GRAPHITE MOTOR COWL MOULDING PRINTED	
36	208265	MOTOR START CAPACITOR 100 MFD C/W RESISTOR & M8 STUD	220V & 230V MACHINES
	208210	MOTOR START CAPACITOR 430-516uF PLASTIC CASE.DOUBLE 6.3MM TERMINALS & STUD	110V & 120V MACHINES
37	229273	BASE MOULDING GRAPHITE GREY	
38	229285	MOTOR MOUNTING SPACER	
39	229128	PLUNGER	
40	329112	100MM WHEEL	
41	204021	12.7MM STAINLESS STEEL HUB CAP	
42	229279	BUFFER WHEEL PIN	
43	219644	M5 FORM G STAINLESS STEEL WASHER	
44	219016	M5 SHAKEPROOF WASHER	
45	219547	M5 X 16MM LONG POZI PAN STAINLESS STEEL SCREW	
46	229280	REAR WHEEL PIN	
47	229060	WHEEL GREY BLACK HUB	
48	229266	16.0MM CAP	
49	220033	M5 X 35MM LONG POZI PAN SCREW	
50	219633	M5 STAINLESS STEEL NYLON INSERT NUT	
51	429035	PIVOT BRACKET WELDED ASSEMBLY	
52	429036	LOCKING PIVOT BRACKET WELDED ASSEMBLY	
53	206236	PIVOT PIN	
54	219010	M8 FORM A WASHER	
55	219077	M8 DOMENUT	
56	219606	BRACKET SPACER	
57	219056	M6 X 25MM LONG POZI PAN SCREW	
58	219549	M6 SINGLE COIL WASHER	
59	219008	M6 FORM G WASHER	
60	219088	M6 NYLON INSERT NUT	
61	219394	COMPRESSION SPRING	
62	223242	PLUNGER MOUNTING PLATE MOULDING	
63	578010	TTA-91 SPLASH SKIRT ASSEMBLY	

Numatic International Spare Parts

Model No: Twintec Squeegee Assy (850mm Scrub Width/38mm Hose)

234682
DRAWING: DRW-4529 ISS: A02
21/10/2009

NB: FOR WIRING SEE DRAWING: N/A



Numatic International Spare Parts

Model No: Twintec Squeegee Assy (850mm Scrub Width/38mm Hose)

POS.	ITEM NO.	DESCRIPTION:	COMMENTS:
1	208197	(850MM SCRUB WIDTH) ALUMINIUM SQUEEGEE CASTING (38MM HOSE FITTING)	
2	329825	CASTOR PLATE	
3	204068	3 INCH GREY WHEEL	
4	204018	50MM CASTOR/GREY RUBBER TYRE	
5	206950	(850MM SCRUB WIDTH) REPLACEMENT (3.2MM / 43 SHORE A) REAR POLY/BLADE (1117MM LONG)	STANDARD BLADE
	208195	(850MM SCRUB WIDTH) REPLACEMENT (4.0MM / 50 SHORE A) REAR POLY/BLADE (1117MM LONG)	PREMIUM BLADE OPTION
	208196	(850MM SCRUB WIDTH) REPLACEMENT (4.0MM / 40 SHORE A) REAR RED LINATEX PREMIUM NATURAL RUBBER /BLADE (1117MM LONG)	PREMIUM BLADE OPTION
6	206949	(850MM SCRUB WIDTH) REPLACEMENT (3.2MM / 43 SHORE A) FRONT POLY/BLADE (1085MM LONG)	STANDARD BLADE
	208193	(850MM SCRUB WIDTH) REPLACEMENT (3.2MM / 50 SHORE A) FRONT POLY/BLADE (1085MM LONG)	PREMIUM BLADE OPTION
	208194	(850MM SCRUB WIDTH) REPLACEMENT (3.2MM / 40 SHORE A) FRONT RED LINATEX PREMIUM NATURAL RUBBER /BLADE (1085MM LONG)	PREMIUM BLADE OPTION
7	206951	QUICK RELEASE KNOB	
8	206953	DETENT PINS	
9	219647	M6 FORM G STAINLESS STEEL WASHER	
10	219853	M6 NYLOC HALF NUT (STAINLESS STEEL)	
11	219933	M6 X 35MM SOCKET BUTTON HEAD BOLT STAINLESS STEEL	
12	219897	M10 STAINLESS STEEL NYLON INSERT NUT	
13	219910	M10 X 25MM LONG SOCKET BUTTON HEAD STAINLESS STEEL SCREW	
14	229988	(850MM SCRUB WIDTH) BLADE HOLDER MouldING (SLOPING PROFILE) (32MM & 38MM HOSE FITTING)	
15	219963	M10 STAINLESS STEEL FULL NUT	
16	303871	FLOOR TOOL LIFTING PLATE WELDED ASSEMBLY	