

Numatic

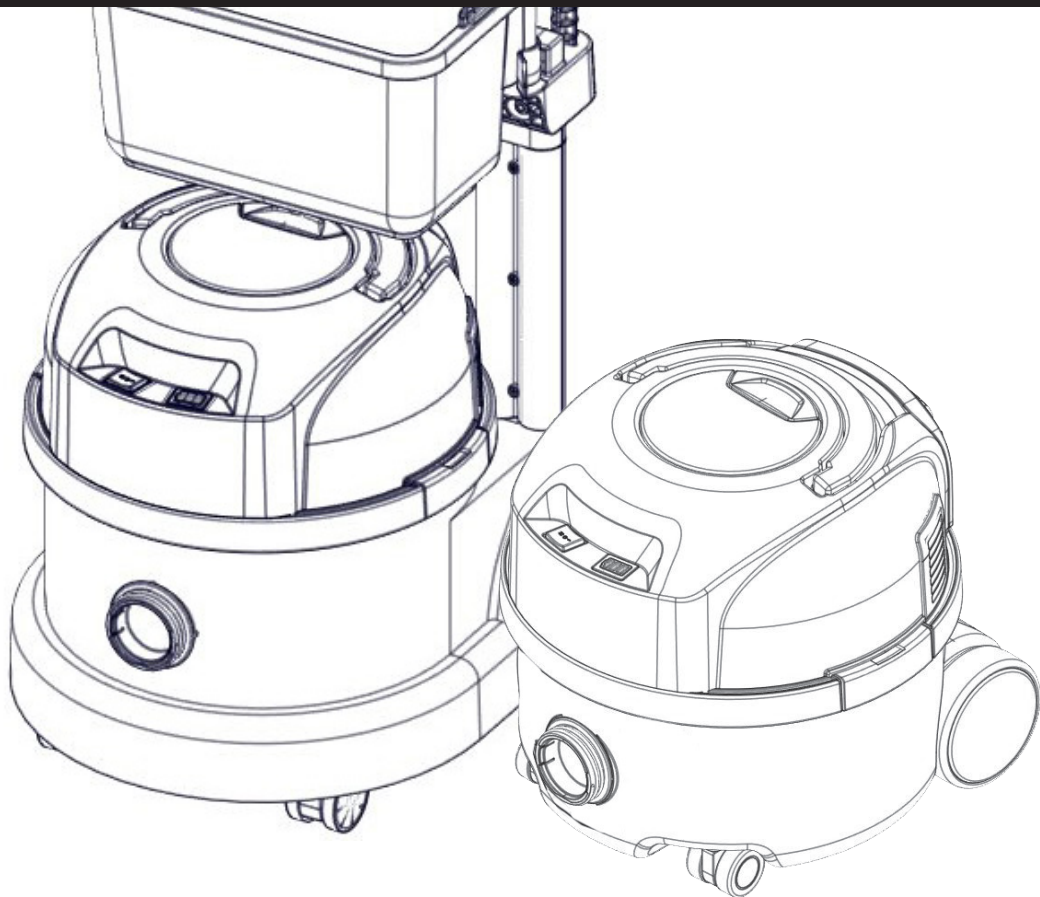


Original Instructions

CAUTION. Read instructions before using the machine.

NBV190 / 240 / PBT230

(AUSTRALIAN)



Edgar Edmondson Pty Ltd

Head Office
PO Box 198
Marrickville
NSW 1475
AUSTRALIA

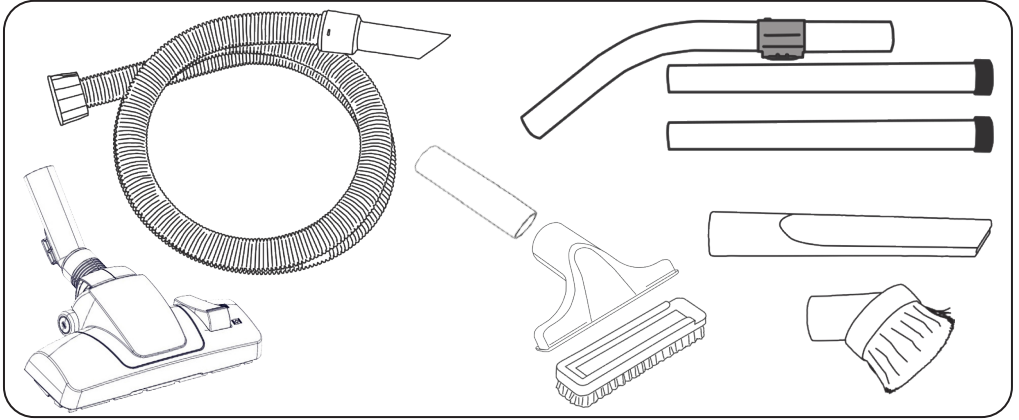
Delivery and Shipping Address
18 Garden St
Marrickville
NSW 2204
AUSTRALIA

Office Number: 1800 BUY MOP
Fax Number: +61 (0)2 9519 9223
E-Mail: orders@edmondson.net.au

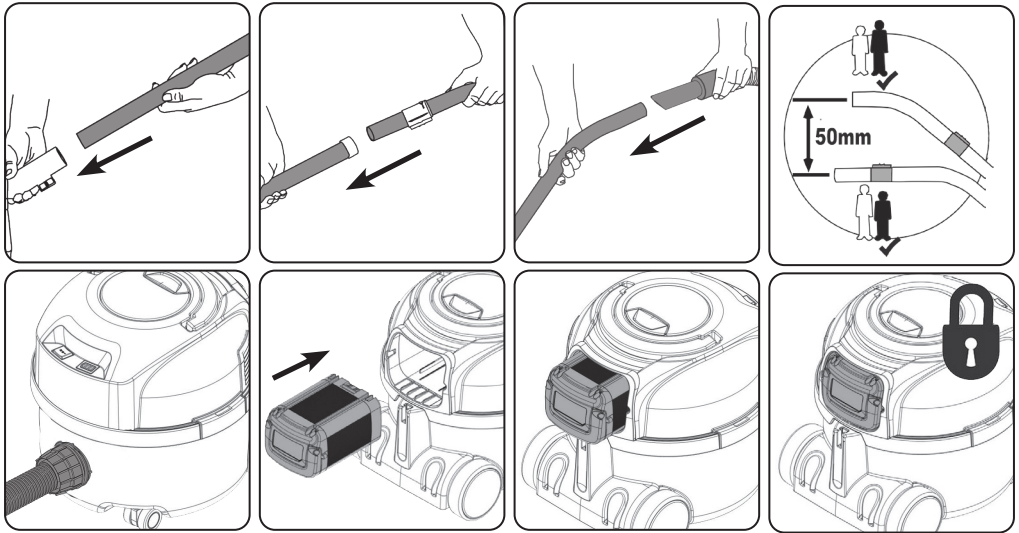
ABN: 27 000 450 144

Edco

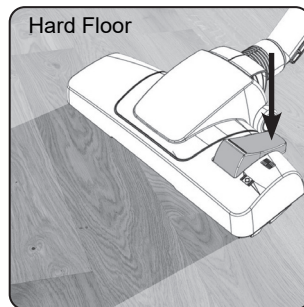
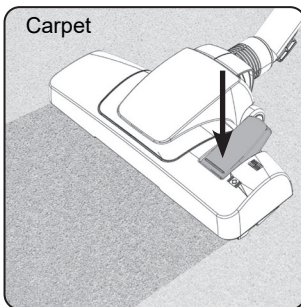
Kit AA29E c/w 902072



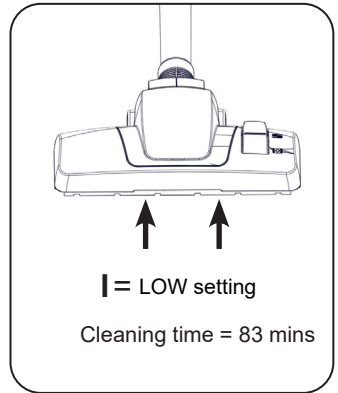
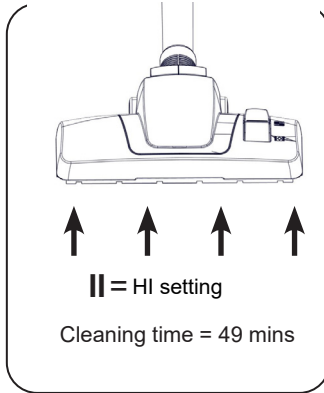
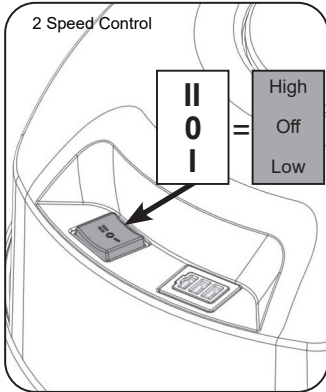
Assembly



Floortool adjustment

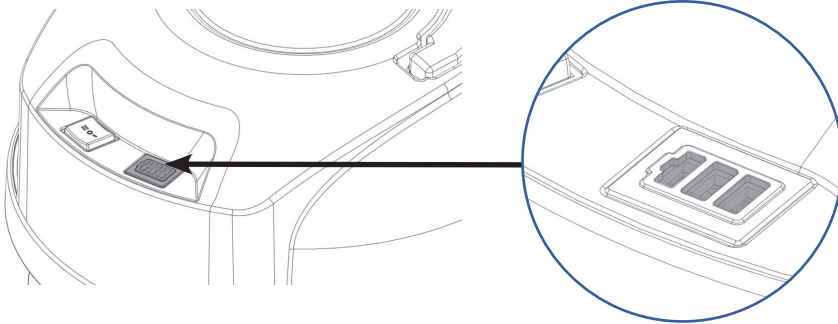


Using the machine

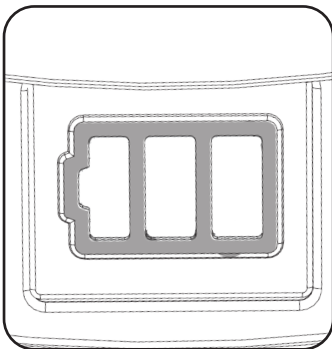


Charging your battery

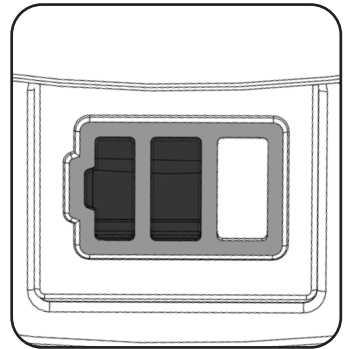
For information relating to the operation and charging of your battery please refer to the battery and charger original operating instructions



Battery Status

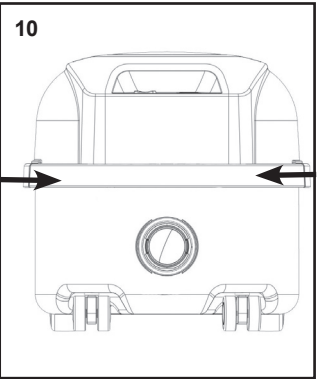
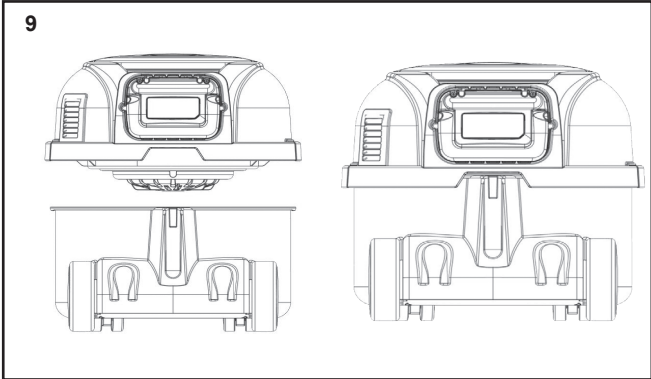
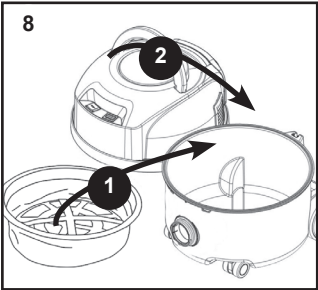
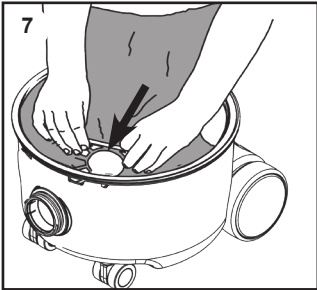
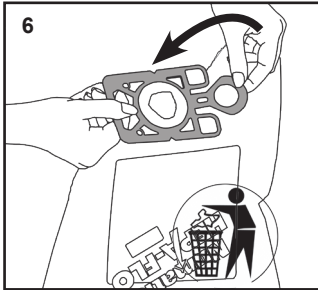
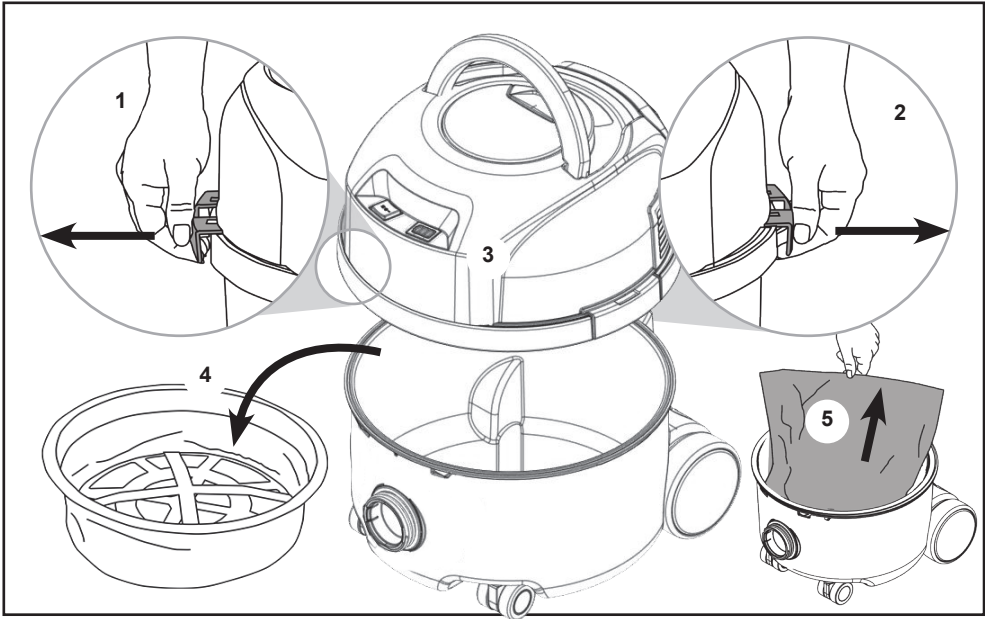


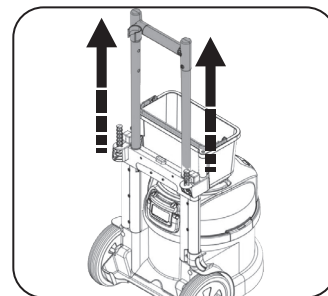
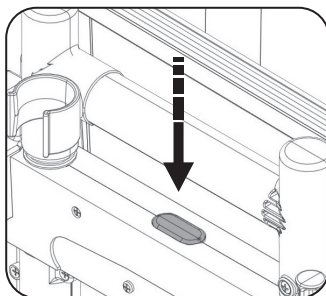
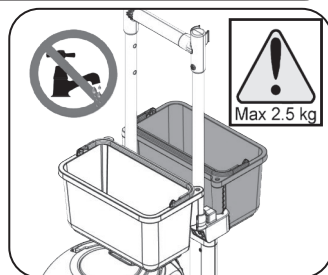
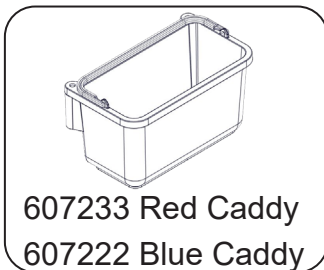
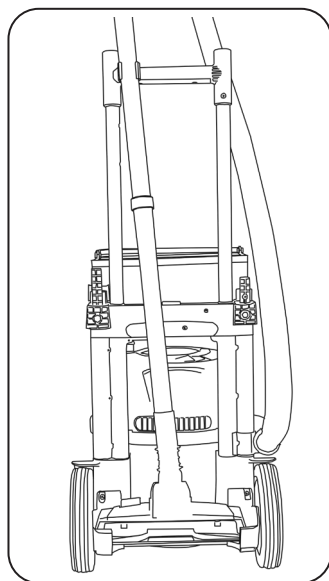
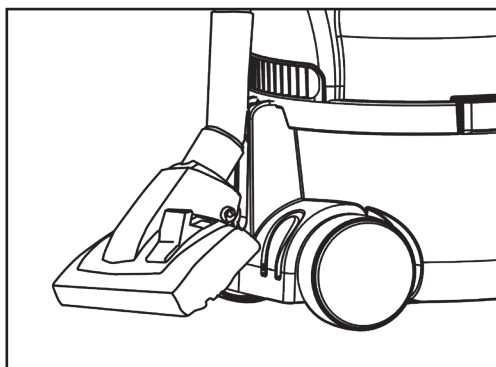
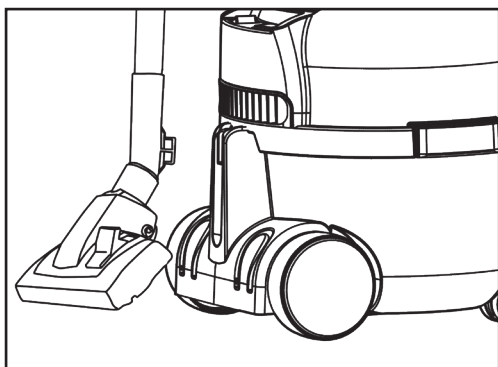
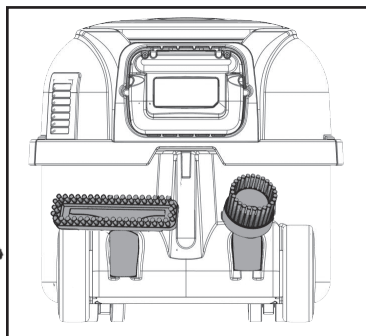
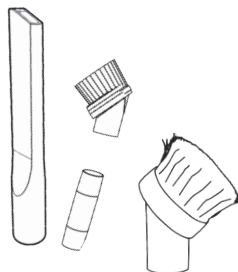
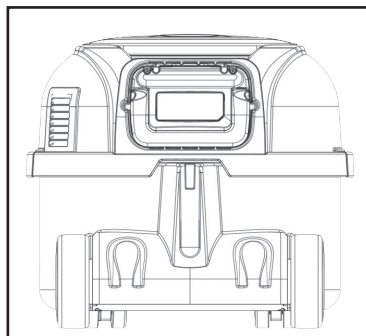
Fully charged



Low Battery

Cleaning your machine





Data

	Voltage	Power Rating	Airflow	*Run time	Size
NBV190	36 V (DC)	350 W / 200 W	HI = 22.0 L/sec LO = 17.0 L/sec	*HI = 49 Mins *LO = 83 Mins	340 mm x 340 mm x 340 mm
NBV240					360 mm x 370 mm x 415 mm
PBT 230					400 mm x 450 mm x 615 mm
	Weight	Dust bag	Capacity	*Charge time	
NBV190	7.7 kg	NVM-1CH	8 Ltrs	*1hr to 80% charge – fast charger *2hrs to 100% charge – fast charger 4.5hrs to 100% charge – slow charger	
NBV240	8.1 kg		9 Ltrs		
PBT 230	10.5 kg		9 Ltrs		
Sound Pressure			*Run and Recharge times may vary dependent on ambient temperature.		
LpA ≤ 70 dB(A)					

Rating Label

1	Voltage / Direct Current
2	Rated input power
3	Weight (ready to work)
4	Company name & address
5	Model
6	Machine yr/wk Serial number
7	Approval Mark
8	Use Lithium Ion Battery Only



Daily

- Keep the machine clean, including hoses and tubes.
- Ensure the bag and filter are fitted.
- Regularly examine the charger.
- Check dust bag frequently.
- Check filters are clean.

Weekly - as daily and:-

- Check for any worn or damaged parts and replace immediately.

Batteries

- Always recharge the batteries after use.

Maintenance

PPE (personal protective equipment). That may be required for certain operations.

Ear Protection	Safety Footwear	Head Protection	Safety Gloves	
Eye Protection	Protective Clothing	Dust / Allergens Protection	Hi Viz Jacket	

NOTE: A risk assessment should be conducted to determine which PPE should be worn.

Safety Critical Components

Multi-Regional Charger (100-240V ~ 50/60 Hz)

Lithium- Ion Battery 8.1Ah

Information for Dry use Battery Vacuum cleaners



ORIGINAL INSTRUCTIONS. READ MANUAL BEFORE USE.



Warning

Read the instruction manual before using the machine.

Operators shall be adequately instructed on the use of these machines, as with all electrical equipment, care and attention must be exercised at all times during use, you must also make certain that routine and preventative maintenance is carried out periodically to ensure safe operation.

Failure to carry out maintenance as necessary, including the replacement of parts to the correct standard could render this equipment unsafe and the manufacturer can accept no responsibility in this respect.

This machine is for DRY USE only.

You must remove the battery from the machine BEFORE cleaning or maintenance and when replacing parts or converting the machine to another function.

This appliance is intended to be assembled, cleaned and maintained by an adult.

This machine is not suitable for the collection of biological hazards, hazardous or explosive dusts.

Contact your local distributor if you require a machine capable of performing these tasks.

This machine is not intended for use by persons (including children) with reduced physical, sensory or mental capabilities, or lack of experience and knowledge.

Children should be supervised to ensure that they do not play with the appliance.

This machine is not a toy; children shall not play with this machine.

Caution

This machine must not be stored outside, or used in wet environments, or to collect wet materials.

The vacuum cleaner should be stored in a dry place and is for indoor use only.

You must ensure that the filtration system fitted to the machine is suitable for the material being collected.

Note:

The primary use for this machine is commercial, for example in hotels, schools, hospitals, factories, shops and offices.

This product complies with the requirements of clause 20 of IEC/EN 60335-2-69 Stability and Mechanical Hazards.

This vacuum cleaner is fitted with a thermal protection device.

If the vacuum cleaner has a blockage, remove the battery and inspect the floor tool, tubes and hose for debris.

If the floor tool, tubes and hose are clear, replace the dust bag and clean the filter.

The vacuum cleaner should be inspected after use for damage.

When moving from one place to another, consider the weight of the machine.

Do

Keep your machine clean including hoses and tubes.

Change dust bag frequently.

Keep filters clean.

Keep diffuser filter (where fitted) clean.

Use filter bags, they will enhance performance and help keep machine clean.

Use a Numatic Original filter bag under fine dust conditions.

Keep hoses and tubes clear.

Replace any worn or damaged parts immediately.

Don't

Use to suck up hot ashes or lighted cigarette ends.

Use steam cleaners or pressure washers to clean the machine or use in the rain.

Immerse in water for cleaning.

Attempt machine maintenance or cleaning unless battery has been removed from the machine.

Do not use in wet environments or to collect wet materials.

Under any circumstances place foreign objects including (but not limited to) air fresheners, air freshener capsules or scented beads of any type into the top filter of the machine. Doing so can be dangerous and risk damage to the machine and may invalidate the machine warranty.

Replacement parts

Filter

909559	Tritex filter (Boxed)
--------	-----------------------

HepaFlo dust bags

907075	NVM-1CH Dust bags (Pack of 10)
--------	--------------------------------

907076	NVM-1CH Dust bags (Pack of 5)
--------	-------------------------------

909291	NVM-1CH Dust bags (Pack of 3)
--------	-------------------------------

Battery

909996	37 V Battery
--------	--------------

Charger

604503	Standard battery charger dock & mains lead (Australian)
--------	---

Fast charger

911334	Fast battery charger dock (Australian)
--------	--

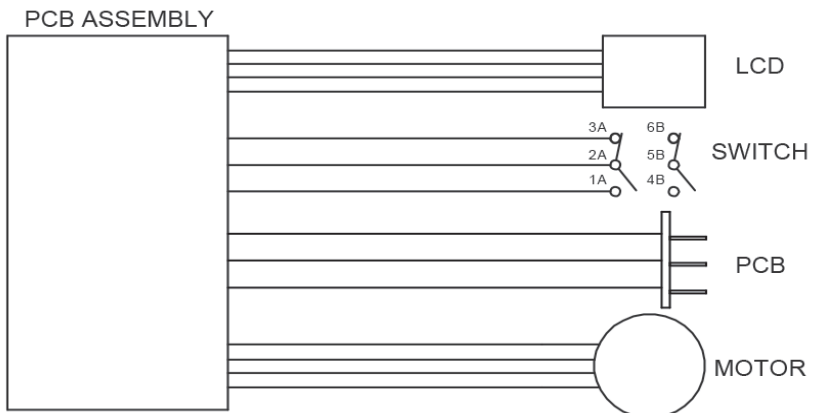
912360	Charger Cable (Australian)
--------	----------------------------

PBT Caddy

607233	Red Caddy
--------	-----------

607222	Blue Caddy
--------	------------

Schematic diagram



Notes

A series of 25 horizontal dotted lines for writing notes.



Warranty

Numatic International Limited warrant to the original purchaser that its products are free of defects in both material and workmanship for the period shown below:-

Homecare and Procure Vacuum cleaners..... 2 Years
Rotary Floor Machines..... 1 Year
Twintec Auto Scrubber Dryer..... 1 Year
Vario Ride-On Scrubber Dryer..... 1 Year / 1500 hours
Mopping, Compacts, Versaclean and Versacare Products..... 1 Year
Individual Accessories and Spare Parts..... 6 Months

Note: This warranty expressly excludes consumable parts such as carbon brushes, floor brushes, mops, batteries etc, that are considered replaceable from time to time during the normal working life of the machine.

Our goods come with guarantees that cannot be excluded under the Australian Consumer Law. You are entitled to a replacement or refund for a major failure and for compensation for any other reasonably foreseeable loss or damage. You are also entitled to have the goods repaired or replaced if the goods fail to be of acceptable quality and the failure does not amount to a major failure.

The benefits under (Our Warranty) are in addition to other rights and remedies under a law in relation to the (goods/services)

- A. The warranty period commences from the date the goods are purchased. We advise all purchasers to retain their invoice as proof of purchase.
- B. All warranty claims must be processed through either the Dealer from whom the equipment was originally purchased or another authorised Edgar Edmondson Pty Ltd Australia dealer. The Dealer will co-operate with the purchaser throughout the warranty claims procedure and will arrange any necessary repairs using genuine Numatic parts.
- C. If the original Dealer is no longer able to fulfil his obligations please contact Edgar Edmondson Pty Ltd Australia with full details of the claim and proof of purchase so that this may be processed without delay.
- D. Any warranty claim can only relate to the specific part that is proven to be at fault and for which a replacement will be supplied but cannot be extended to constitute a claim against the complete machine.
- E. Edgar Edmondson Pty Ltd Australia will supply the Dealer with any warranty parts required, subject to the claim being validated.
- F. Claims will not be accepted if they are the result of fair wear and tear, misuse or abuse of any kind.
- G. No replacement will be given unless the appropriate evidence of the validity of the claim has been provided to the satisfaction of Edgar Edmondson Pty Ltd Australia.
- H. Edgar Edmondson Pty Ltd Australia reserve the right to charge for any work carried out as a result of an invalid claim.
- I. No variation to this warranty may be made or implied by any member of Edgar Edmondson Pty Ltd Australia or its Dealers unless such variation is in writing and authorised by the Company.

Australian Importer.

Edgar Edmondson Pty Ltd

Head Office	Delivery and Shipping Address	Office Number: 1800 BUY MOP
PO Box 198	18 Garden St	Fax Number: +61 (0)2 9519 9223
Marrickville	Marrickville	E-Mail: orders@edmondson.net.au
NSW 1475	NSW 2204	
AUSTRALIA	AUSTRALIA	ABN: 27 000 450 144

Edco

244030 10/21 (A03)



Distributed by:-

Australian Importer

Edgar Edmondson Pty Ltd

Head Office
PO Box 198
Marrickville
NSW 1475
AUSTRALIA

Delivery and Shipping Address
18 Garden St
Marrickville
NSW 2204
AUSTRALIA

Office Number: 1800 BUY MOP
Fax Number: +61 (0)2 9519 9223
E-Mail: orders@edmondson.net.au
ABN: 27 000 450 144

Edco



Numatic International Limited.
Chard, Somerset TA20 2GB ENGLAND
Tel: 01460 68600 www.numatic.co.uk

Specification subject to change without prior notice
www.numatic.co.uk © Numatic International Limited