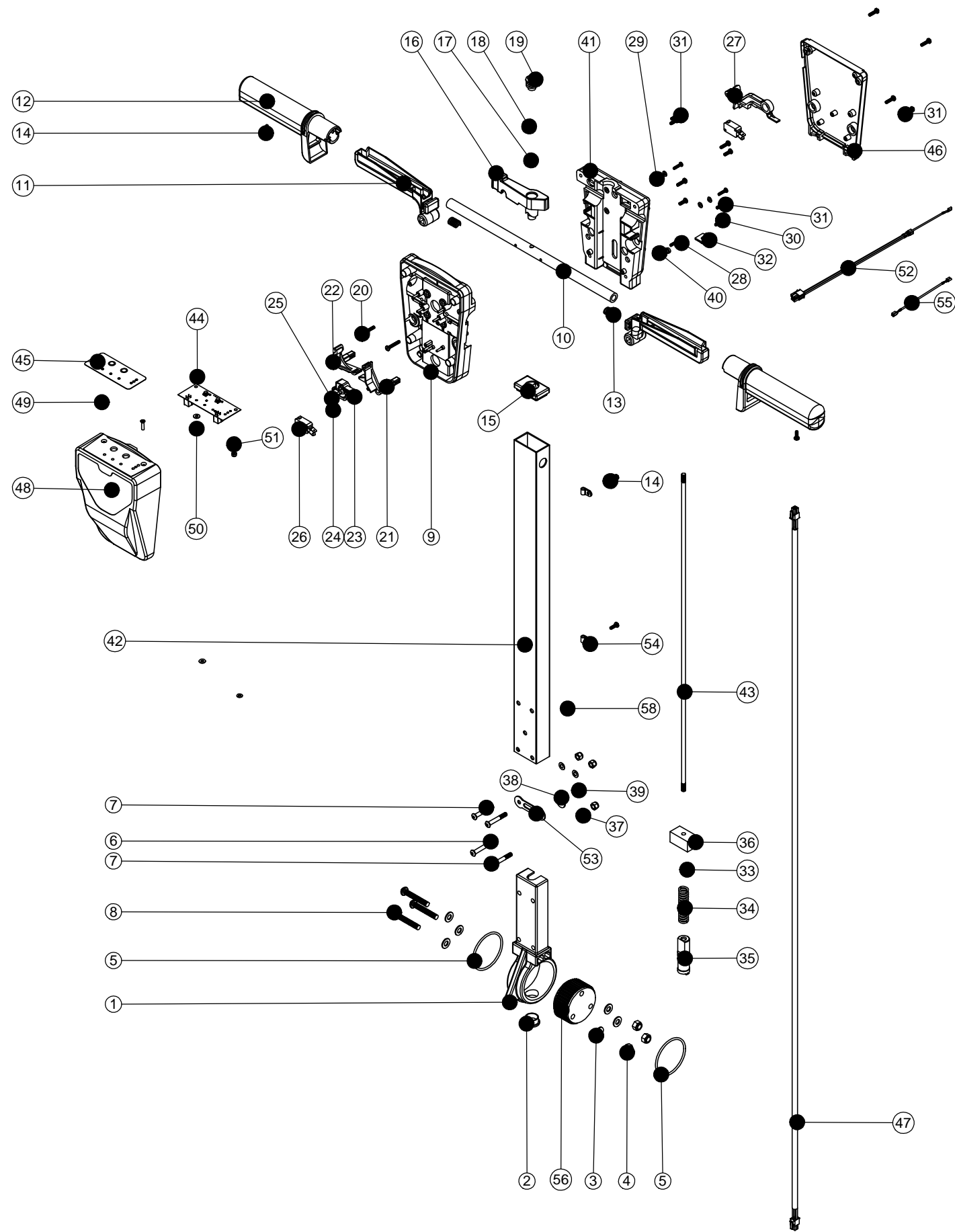


# Numatic International Spare Parts

Model No: TTB 1840 HANDLE EXPLODED DRAWING

234804

DRAWING: DRW-6999 ISS:A04  
10/07/2012



# Numatic International Spare Parts

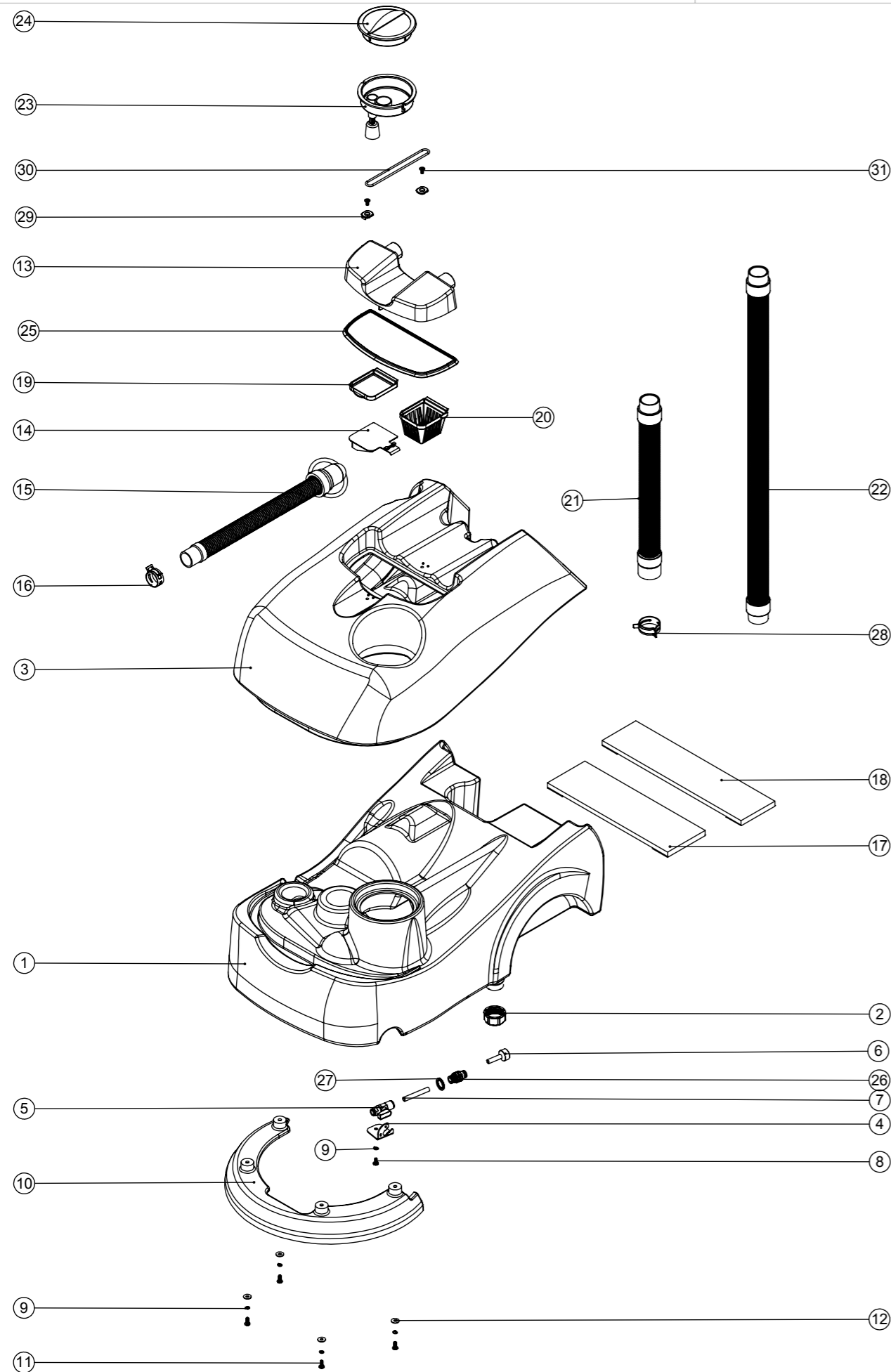
Model No: TTB 1840 HANDLE EXPLODED DRAWING

ITEM NO.	Item_No	DESCRIPTION	COMMENTS	QTY.
1	229081	HANDLE CASTING MACHINED		1
2	229099	25MM DIA HOLE PLUG		1
3	219010	M8 FORM A WASHER		6
4	219078	M8 NYLON INSERT NUT		3
5	219254	O RING 3MM DIA X 60MM I/D		2
6	219881	M6 X 45MM SOCKET BUTTON HEAD SCREW		1
7	219807	M6 X 40MM LONG SOCKET BUTTON HEAD BOLT		3
8	219922	M8 X 50MM LONG SOCKET BUTTON HEAD STAINLESS STEEL BOLT		3
9	227576	FRONT INNER HALF MOULDING		1
10	338269	CROSS TUBE		1
11	227581	TRIGGER MOULDING		2
12	227580	HAND GRIP MOULDING		2
13	219803	TRIGGER COMPRESSION SPRING		2
14	219270	No8 X 1/2 INCH LONG POZI PAN SELF TAP SCREW		4
15	227582	HANDLE PLUG MOULDING		1
16	227583	ADJUSTMENT LEVER MOULDING		1
17	219493	M6 NYLON WASHER		1
18	219642	M6 STAINLESS STEEL NYLON INSERT NUT		1
19	20638V	19MM BLACK TUBE END STOP		1
20	219811	NO8 X 1 INCH LONG POZI-PAN SELF TAP SCREW		2
21	227585	LEFT HAND SWITCH OPERATING LEVER MOULDING		1
22	227586	RIGHT HAND SWITCH OPERATING LEVER MOULDING		1
23	227587	CENTRE SWITCH OPERATING LEVER MOULDING		1
24	219805	4MM SPIREFIX		1
25	219804	SWITCH COMPRESSION SPRING		1
26	229483	SNAP ACTION SWITCH		2
27	227584	INTERLOCK LEVER MOULDING		1
28	219107	No6 X 5/8 INCH LONG POZI PAN PLASTITE SCREW		4
29	219206	M4 FORM A WASHER		4
30	219101	No8 X 1/2 INCH LONG POZI PAN PLASTITE SCREW		4
31	219105	No8 X 5/8 INCH LONG POZI PAN PLASTITE SCREW		8
32	227666	BLANKING PLUG		1
33	219099	M6 HALF NUT		1
34	229138	SPRING		1
35	229073	GEAR LOCKING PIN		1
36	229030	ANTI VIBRATION PAD		1
37	219007	M6 FORM B WASHER		3
38	219008	M6 FORM G WASHER		1
39	219088	M6 NYLON INSERT NUT		4
40	229669	LOLINE HANDLE CABLE CLAMP		1
41	227577	REAR INNER HALF MOULDING		1
42	429132	600MM PAINTED HANDLE		1
43	215029	610MM HANDLE LOCKING ROD		1
44	208392	TTB 1840 CONTROL PCB		1
45	208483	CONTROL PANEL OVERLAY		1
46	227579	REAR COVER MOULDING		1
47	208469	TTB 1840 4 CORE LOOM ASSEMBLY		1
48	237272	TTB 1840 FRONT COVER MOULDING		1
49	219407	M4 X 16MM LONG POZI PAN COUNTERSUNK SCREW	TIGHTEN TO 1Nm	2
50	219083	M4 NYLON INSERT NUT		2
51	208521	NYLON WASHER 10.0 OD X 4.1 ID X 1.0MM		3
52	208486	3 CORE HANDLE LOOM		1
53	229139	CABLE CLAMP		1
54	208496	P CLIP		2
55	321627	130mm BLACK LINK WIRE		1
56	229074	ADJUSTMENT GEAR		1
57	219688	M4 FORM A STAINLESS STEEL WASHER		1
58	229009	BLANKING PLUG		1

# Numatic International Spare Parts

**Model No:** TTB 1840 TANK & SEPERATOR EXPLODED DRAWING ASSEMBLY

234806  
DRAWING: DRW-6988 ISS:A07  
28/11/2012



# Numatic International Spare Parts

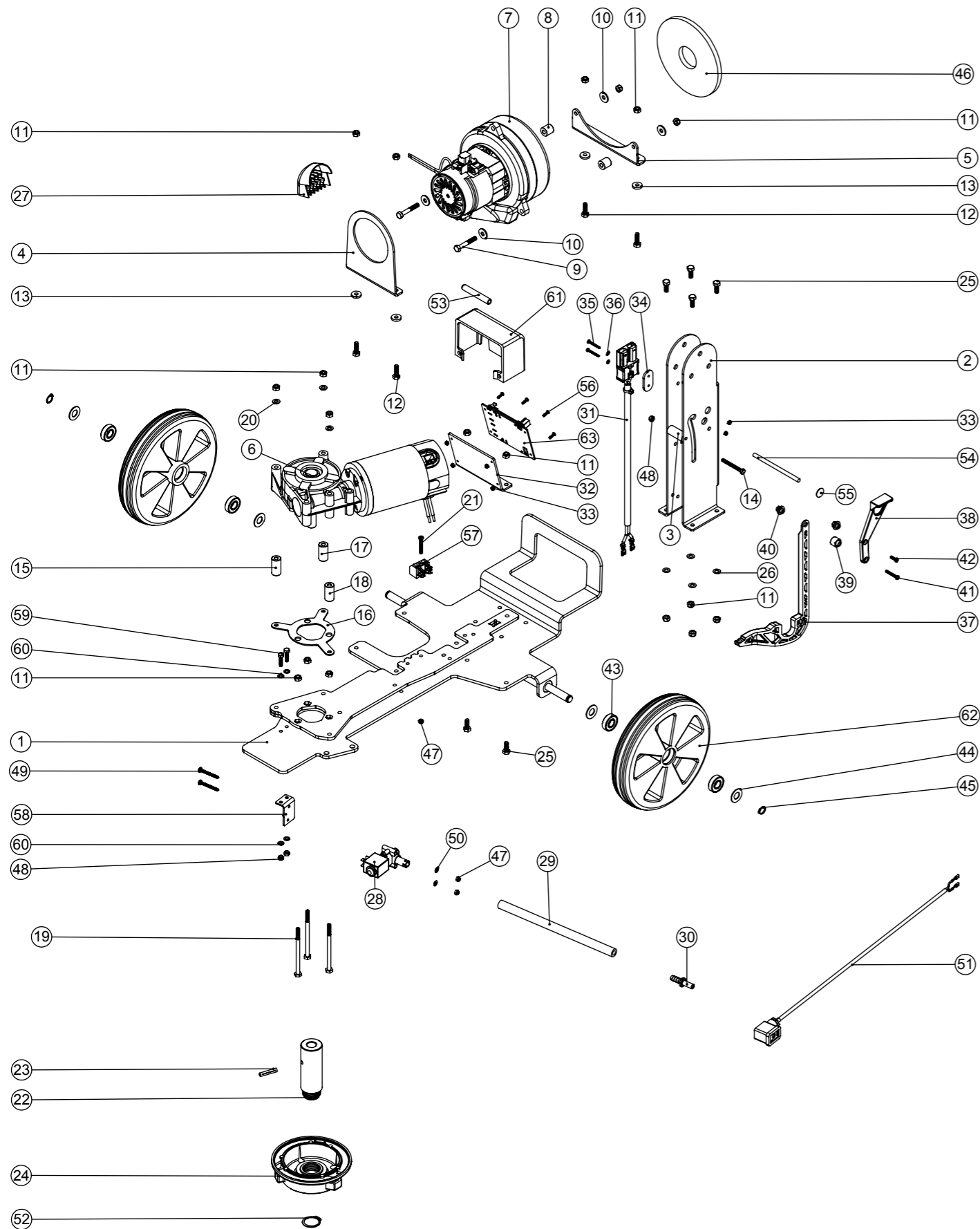
**Model No:** TTB 1840 TANK & SEPERATOR EXPLODED DRAWING ASSEMBLY

ITEM NO.	Item_No	DESCRIPTION	QTY.
1	237228	TTB 1840 CLEAN TANK	1
2	208448	TANK DRAIN CAP	1
3	237229	TTB 1840 COLLECTION TANK	1
4	392125	TTB 1840 TAP PLATE	1
5	216260	MINI BALL VALVE	1
6	303961	TANK FILTER ASSEMBLY	1
7	303960	TANK FILTER TUBE	1
8	219668	M5 X 10MM LONG POZI PAN STAINLESS STEEL SCREW	1
9	219861	M5 SINGLE COIL STAINLESS STEEL WASHER	5
10	237233	TTB 1840 DECK MOULDING	1
11	219740	M5 X 12MM LONG STAINLESS STEEL POZI PAN SCREW	4
12	219644	M5 FORM G STAINLESS STEEL WASHER	4
13	237230	TTB 1840 SEPARATOR MOULDING	1
14	237231	TTB 1840 SHUT OFF FLAP	1
15	303997	TTB 1840 DUMP HOSE ASSEMBLY	1
16	208471	CONSTANT TENSION CLIP	1
17	208479	TTB 1840 FOAM PAD (100 X 320)	1
18	208478	TTB 1840 FOAM PAD (90 X 370)	1
19	237232	TTB 1840 AIR FILTER PANEL	1
20	237411	TOP TANK FILTER	1
21	213055	TTB 1840 VAC HOSE C/W CUFFS	1
22	213054	SUCTION HOSE	1
23	303985	TTB 1840 FILLER CAP ASSEMBLY	1
24	237268	FILLER CAP LID	1
25	237418	TTB 1840 SEPARATOR SEAL MOULDING	1
26	208522	8MM PUSH FIT METAL BULKHEAD FITTING	1
27	208525	BONDED SEAL	1
28	208537	VAC HOSE CONSTANT TENSION CLIP	1
29	237397	O RING CLIP MOULDING	2
30	208715	O RING (3mmDIA.95mm)	1
31	291008	M5 X 10MM LONG POZI PAN COUNTERSUNK STAINLESS STEEL SCREW	2

# Numatic International Spare Parts

Model No: TTB 1840 BASE ASSEMBLY EXPLODED DRAWING

234805  
DRAWING: DRW-7035 ISS:A14  
22/01/2013



FOR SWING ARM ASSEMBLY SEE DRW-10739

# Numatic International Spare Parts

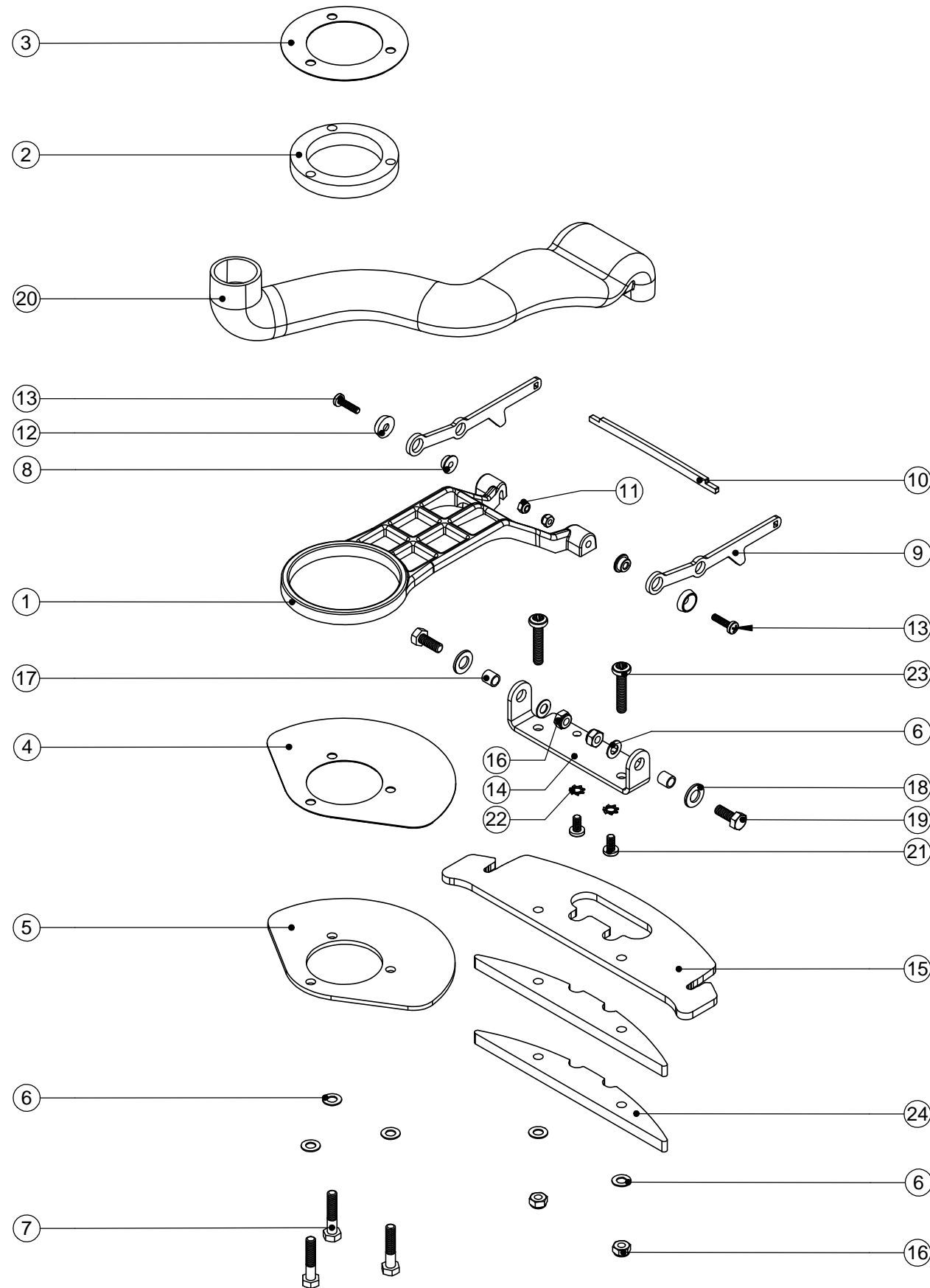
Model No: TTB 1840 BASE ASSEMBLY EXPLODED DRAWING

Pos. No.	Item No	DESCRIPTION	QTY.
1	429123	TTB 1840 CHASSIS WELDED ASSEMBLY	1
2	392092	TTB 1840 HANDLE MOUNTING BRACKET	1
3	208465	TTB 1840 HANDLE SPACER	1
4	429124	TTB 1840 FRONT MOTOR PLATE	1
5	429125	TTB 1840 REAR VAC MOTOR PLATE	1
6	205250	BRUSH DRIVE MOTOR/GEARBOX ASSEMBLY (18.67:1 GEAR RATIO)	1
7	205239	24V 2 STAGE VACUUM MOTOR WITH TANGENTIAL DISCHARGE AND TUBE	1
8	229187	15MM SPACER	2
9	21965V	M6 X 40MM LONG HEX BOLT	2
10	219008	M6 FORM G WASHER	4
11	219642	M6 STAINLESS STEEL NYLON INSERT NUT	18
12	219976	M6 X 20MM LONG HEXANGONAL HEAD SET SCREW	4
13	208472	RUBBER SPACER	4
14	219706	M5 X 45MM LONG STAINLESS STEEL HEXAGONAL BOLT	1
15	208461	30MM GEARBOX SPACER	1
16	429127	NUT RETAINING PLATE Z/PL	1
17	208460	29MM GEARBOX SPACER	1
18	208459	28MM GEARBOX SPACER	1
19	291021	M6 X 90MM LONG STAINLESS STEEL HEXAGONAL HEAD BOLT	3
20	219870	M6 FORM A WASHER STAINLESS STEEL	3
21	219321	M4 X 30MM LONG POZI PAN SCREW	1
22	208447	TTB 1840 DRIVE SHAFT	1
23	219523	GROOVED PIN	1
24	314050	TTB 1840 MODIFIED CHUCK	1
25	219719	M6 X 16MM LONG HEXAGONAL STAINLESS STEEL HEAD BOLT	6
26	219560	M6 FORM B STAINLESS STEEL WASHER	4
27	237218	TTB 1840 VAC DIFFUSER	1
28	220379	24V D.C. SOLENOID VALVE	1
29	303962	SOLENOID TUBE (230MM)	1
30	206796	BARBED CONNECTOR	1
31	321619	TTB 1840 DC CONNECTOR ASSEMBLY	1
32	429128	TTB 1840 PCB MOUNTING PLATE	1
33	219070	M3 NYLON INSERT NUT	6
34	392126	TTB 1840 DC CONNECTOR BACK PLATE	1
35	219519	M3 X 25MM LONG POZI PAN SCREW	2
36	219237	M3 FORM A WASHER	2
37	237238	TTB 1840 SQUEEGEE LIFT ARM	1
38	237239	TTB 1840 SQUEEGEE LIFT HANDLE	1
39	237240	TTB 1840 LIFT SPACER	1
40	237241	TTB 1840 SCREW END	2
41	219602	No6 X 1 INCH LONG POZI PAN PLASTITE SCREW	1
42	219667	No6 X 1/2" LONG PLASTITE SCREW	1
43	206637	STAINLESS STEEL BEARING	4
44	208490	TTB 1840 WHEEL WASHER	4
45	219345	12MM EXTERNAL CIRCLIP	2
46	208477	MOTOR PAD	1
47	219687	M4 STAINLESS STEEL NYLON INSERT NUT	3
48	219633	M5 STAINLESS STEEL NYLON INSERT NUT	3
49	219703	M4 X 35MM LONG STAINLESS STEEL POZI PAN SCREW	2
50	219688	M4 FORM A STAINLESS STEEL WASHER	2
51	236153	TTB 1840 SOLENOID LEAD C/W TERMINALS	1
52	230048	26MM EXTERNAL CIRCLIP	1
53	330034	RETAINING BAR CAP	1
54	391400	HOSE RETAINING BAR	1
55	21926V	6MM CHROME HUB CAP	1
56	219031	M3.10MM LG.POZI-PAN.SCREW.Z/PL	4
57	208532	TAB TERMINAL BLOCK 2 POLE	1
58	392117	TTB 1840 SOLENOID BRACKET	1
59	291029	M5.20MM LG.HEX.SCREW S/S	2
60	219355	M5 FORM A STAINLESS STEEL WASHER	4
61	237349	TTB 1840 PCB COVER	1
62	208556	TT/B 1840 WHEEL	2
63	208468	TTB 1840 DC DRIVE PCB	1

# Numatic International Spare Parts

Model No: SWING ARM ASSEMBLY EXPLODED DRAWING

234839  
DRAWING: DRW-10739 ISS:A01  
31/10/2011



# Numatic International Spare Parts

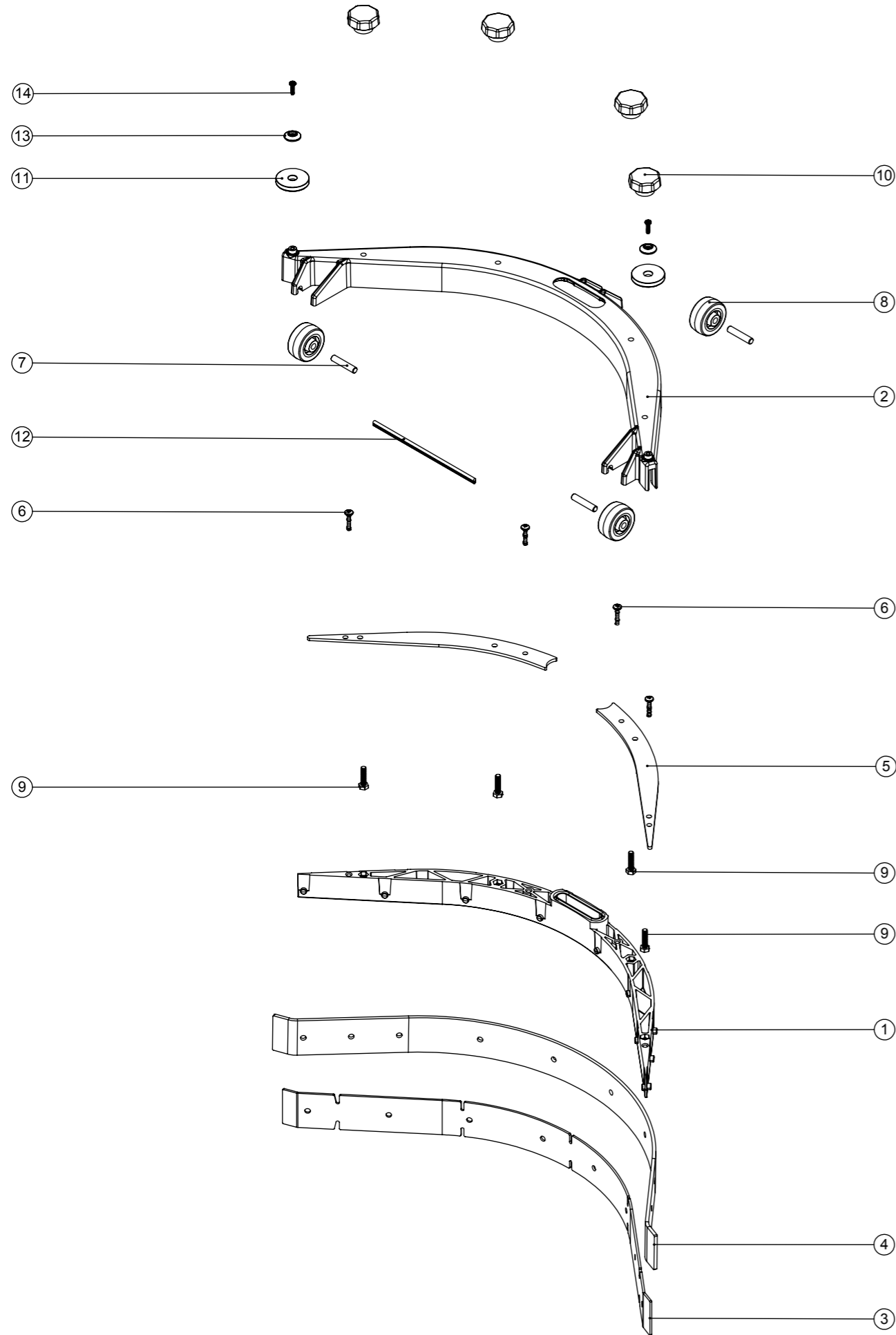
Model No: SWING ARM ASSEMBLY EXPLODED DRAWING

ITEM NO.	PART No	DESCRIPTION	QTY.
1	429133	TTB 1840 SWING ARM PAINTED	1
2	208449	TTB 1840 SWING ARM CENTRE PIVOT	1
3	208491	TTB 1840 NYLON DISC	1
4	208482	TTB 1840 SWING ARM NYLON PLATE	1
5	429126	TTB 1840 SWING ARM BOTTOM PLATE	1
6	219560	M6 FORM B STAINLESS STEEL WASHER	7
7	291022	M6 X 30MM LONG STAINLESS STEEL HEXAGONAL HEAD BOLT	3
8	237265	PIVOT BUSH	2
9	392120	TTB 1840 SQUEEGEE PIVOT ARM	2
10	392124	TTB 1840 SQUEEGEE LIFT PLATE	1
11	219687	M4 STAINLESS STEEL NYLON INSERT NUT	2
12	219573	SCREW INSULATOR	2
13	219862	M4 X 16MM LONG POZI PAN STAINLESS STEEL SCREW	2
14	392119	PIPE CONNECTING BRACKET	1
15	429129	TTB 1840 SQUEEGEE SKID PLATE	1
16	219642	M6 STAINLESS STEEL NYLON INSERT NUT	4
17	208475	8MM SPACER	2
18	219578	M8 FORM A STAINLESS STEEL WASHER	2
19	219719	M6 X 16MM LONG HEXAGONAL STAINLESS STEEL HEAD BOLT	2
20	330068	FLUID TUBE PROCESSED	1
21	219668	M5 X 10MM LONG POZI PAN STAINLESS STEEL SCREW	2
22	291020	M5 STAINLESS STEEL EXTERNAL SHAKEPROOF LOCK WASHER	2
23	219984	M6 X 30MM LG POZI-PAN STAINLESS STEEL MACHINE SCREW	2
24	429131	TTB 1840 ADDITIONAL WEIGHT	2

# Numatic International Spare Parts

Model No: TTB 1840 SQUEEGEE EXPLODED DRAWING ASSEMBLY

234807  
DRAWING: DRW-7011 ISS:A04  
08/08/2012



# Numatic International Spare Parts

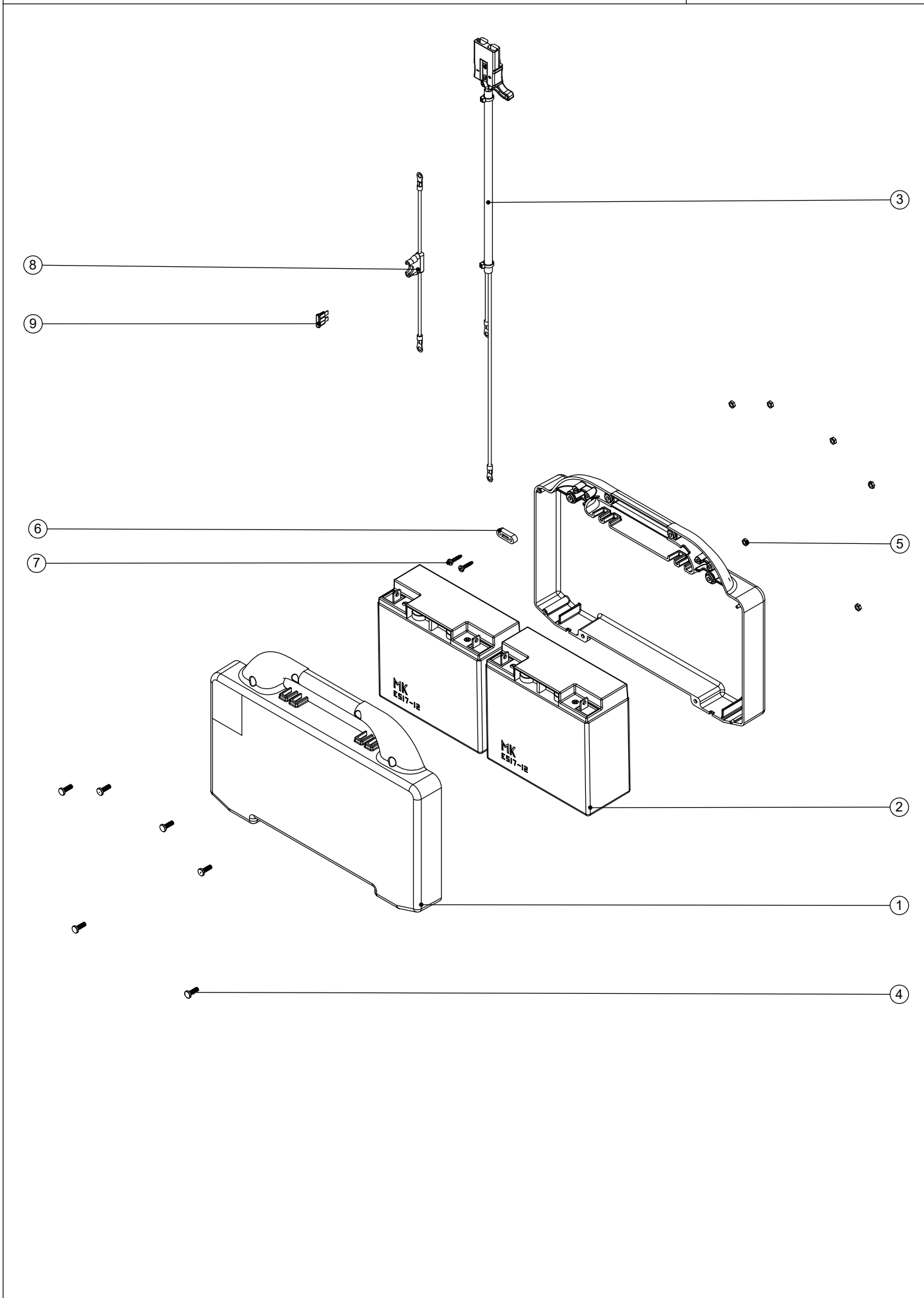
Model No: TTB 1840 SQUEEGEE EXPLODED DRAWING ASSEMBLY

ITEM NO.	PART NO.	DESCRIPTION	QTY.
1	237235	TTB 1840 SQUEEGEE INNER MOULDING	1
2	237236	TTB 1840 SQUEEGEE OUTER MOULDING	1
3	208456	TTB 1840 SQUEEGEE FRONT BLADE	1
4	208457	TTB 1840 SQUEEGEE REAR BLADE	1
5	429130	TTB 1840 SQUEEGEE SIDE PLATE Z/PL	2
6	219568	No8 X 3/4 INCH LONG POZI PAN STAINLESS STEEL SCREW	4
7	208610	TTB 1840 SQUEEGEE AXLE	3
8	208454	TTB 1840 SQUEEGEE WHEEL	3
9	291029	M5.20MM LG.HEX.SCREW S/S	4
10	208455	TTB 1840 SQUEEGEE KNOB	4
11	237266	TTB 1840 BUFFER WHEEL	2
12	209077	SQUEEGEE SEAL EXTRUSION	1
13	208603	NYLON FINISHING WASHER (BLACK)	2
14	291053	3.5 X 12MM POZI PAN PLASTITE SCREW S/S	2

# Numatic International Spare Parts

Model No: TTB 1840 BATTERY PACK EXPLODED DRAWING

234803  
DRAWING: DRW-6995 ISS:A02  
18/07/2011



# Numatic International Spare Parts

Model No: TTB 1840 BATTERY PACK EXPLODED DRAWING

ITEM NO.	Item_No	DESCRIPTION	QTY.
1	237227	TTB 1840 BATTERY CASE (HALF)	2
2	230181	MK BATTERY ES17-12 (12V-18AH/20HR)	2
3	321618	TTB 1840 BATTERY LEAD ASSEMBLY	1
4	219547	M5 X 16MM LONG POZI PAN STAINLESS STEEL SCREW	6
5	219721	M5 STAINLESS STEEL FULL NUT	6
6	227008	BLACK CABLE CLAMP	1
7	219107	No6 X 5/8 INCH LONG POZI PAN PLASTITE SCREW	2
8	330033	FUSE HOLDER ASSEMBLY	1
9	208526	40 AMP FUSE	1

