

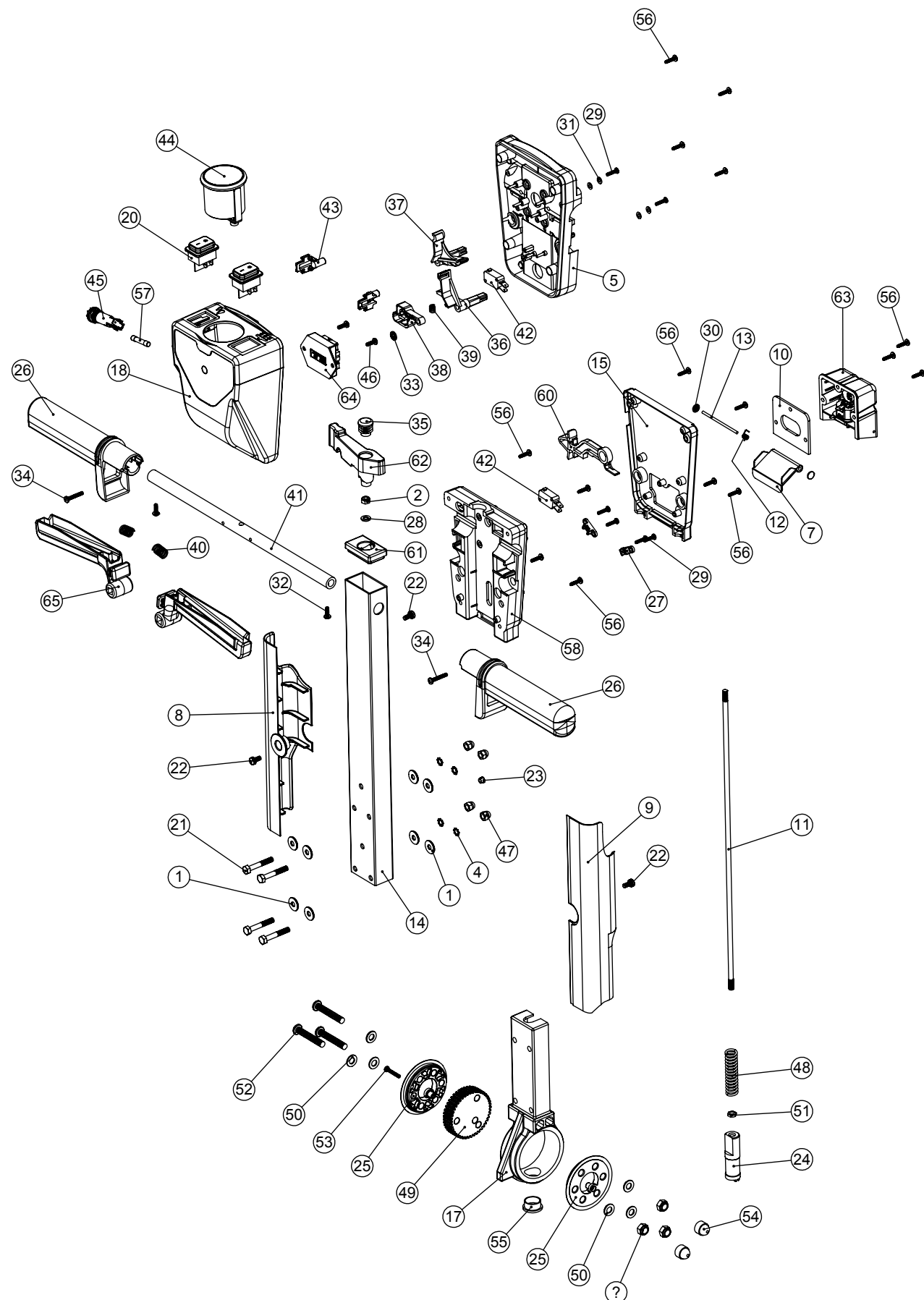
Numatic International Spare Parts

Model No: TGB 3045/4045/4055 (& HGB) HANDLE ASSEMBLY EXPLODED VIEW

Internal Code: 903636
 DRAWING: DRW-22934 ISS:A14
 PRO 06/04/2017

NB: FOR TGB & HGB 3045 WIRING SEE DRAWING: DRW-22779

NB: FOR TGB 4045/4055 WD: DRW-22704



Numatic International Spare Parts

Model No: TGB 3045/4045/4055 (& HGB) HANDLE ASSEMBLY EXPLODED VIEW

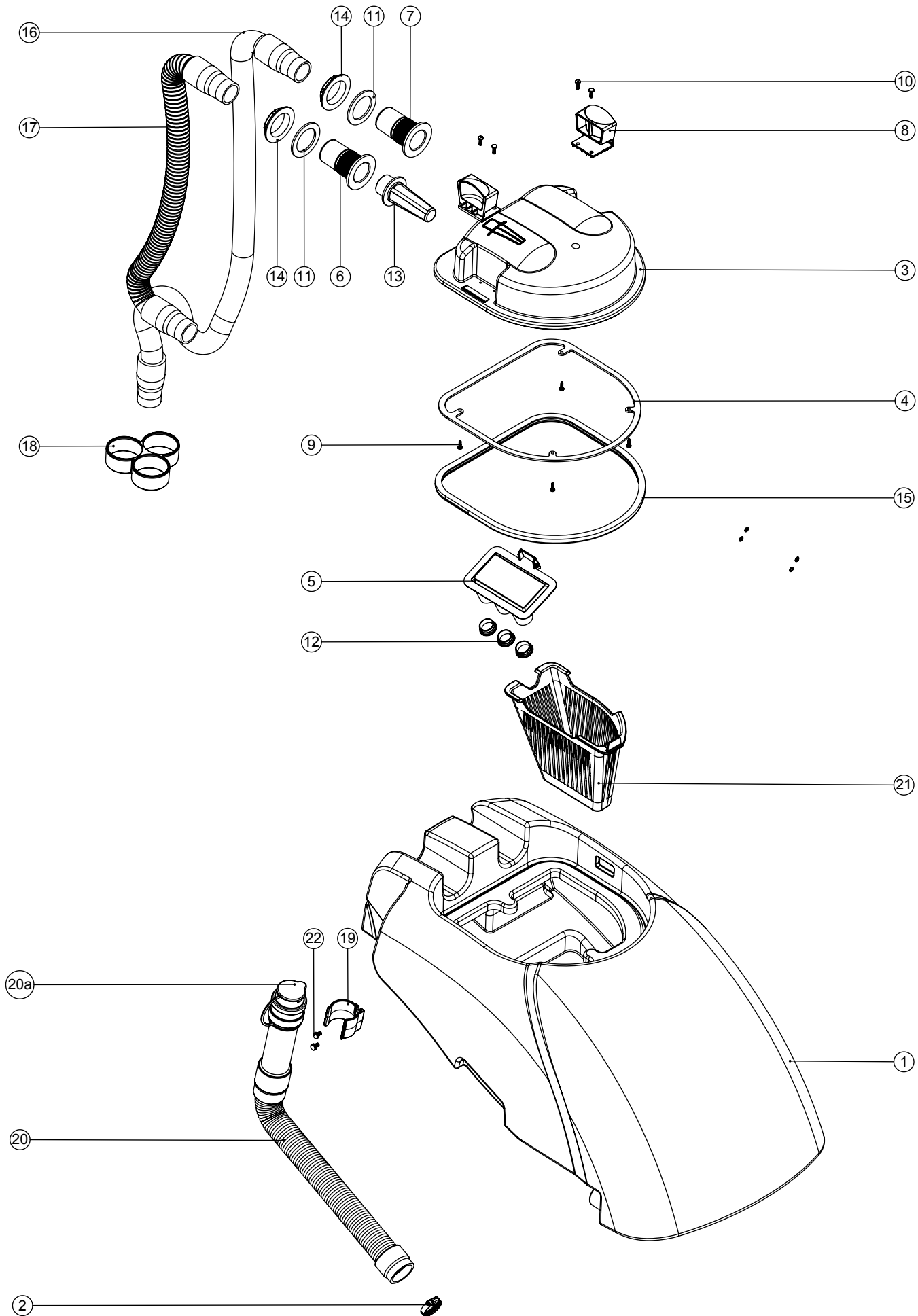
ITEM:	PART No:	DESCRIPTION	COMMENTS:	QTY.
1	219647	M6 FORM G STAINLESS STEEL WASHER		8
2	219642	M6 STAINLESS STEEL NYLON INSERT NUT		1
3	219639	M8 STAINLESS STEEL NYLON INSERT NUT	TORQUE 1.5-2NM	3
4	902353	M6 EXTERNAL SHAKEPROOF WASHER STAINLESS STEEL		4
5	227576	FRONT INNER HALF MOULDING	STANDARD TGB MACHINE	1
	237542	FRONT INNER HALF MOULDING (BLACK)	FOR HGB	
	229508	FLAME RETARDANT FRONT INNER HALF MOULDING	FLAME RETARDENT 120V	
7	227781	FLAP MOULDING		1
8	237692	HANDLE CABLE COVER L/H	HGB USE 904907	1
9	237693	HANDLE CABLE COVER R/H	HGB USE 904908	1
10	202105	SOCKET COVER SEALING GASKET		1
11	229461	440MM HANDLE LOCKING ROD		1
12	219819	TORSION SPRING		1
13	390979	72MM LONG X 3MM DIAMETER STAINLESS STEEL BAR		1
14	903603	TGB/TTG 430MM PROCESSED ALI HANDLE PAINT SILVER		1
15	303509	MODIFIED REAR COVER	STANDARD TGB MACHINE	1
	905828	MODIFIED REAR COVER MOULDING (BLACK)	FOR HGB	
	303628	FLAME RETARDANT MODIFIED REAR COVER MOULDING	FLAME RETARDENT 120V (+HGB)	
17	900398	HANDLE CASTING MACHINED (HNS VERSION)		1
18	903556	TGB HANDLE FRONT COVER TFPP	STANDARD TGB MACHINE	1
	905846	TGB HANDLE FRONT COVER TFPP BLACK	FOR HGB	
	903560	TGB HANDLE FRONT COVER FRPP	FLAME RETARDENT 120V (+HGB)	
20	902235	SWITCH DPST RED ILLUMINATED WITH MEMBRANE 24V		2
21	291125	M6 X 40 LONG HEX BOLT STAINLESS STEEL		4
22	291131	M5 X 12MM LONG STAINLESS STEEL POZI PAN SEMS SCREW		3
23	229009	BLANKING PLUG		1
24	229073	GEAR LOCKING PIN		1
25	900396	ADJUSTMENT GEAR SPACER		2
26	227580	HAND GRIP MOULDING	HGB USE 237544	2
27	229669	LOLINE HANDLE CABLE CLAMP		2
28	219493	M6 NYLON WASHER		1
29	219107	NO6.5/8 INCH LG.POZI-PAN.SCREW.Z/PL.PLASTITE		6
30	219832	3MM DIAMETER STARLOCK		2
31	219206	M4 FORM A WASHER		4
32	219270	No8 X 1/2 INCH LONG POZI PAN SELF TAP SCREW		2
33	219805	4MM SPIREFIX		1
34	219811	NO8 X 1 INCH LONG POZI-PAN SELF TAP SCREW		2
35	20638V	19MM BLACK TUBE END STOP		1
36	227585	LEFT HAND SWITCH OPERATING LEVER MOULDING		1
37	227586	RIGHT HAND SWITCH OPERATING LEVER MOULDING		1
38	227587	CENTRE SWITCH OPERATING LEVER MOULDING		1
39	219804	SWITCH COMPRESSION SPRING		1
40	219803	TRIGGER COMPRESSION SPRING		2
41	338269	CROSS TUBE		1
42	229483	SNAP ACTION SWITCH		2
43	903558	TGB HANDLE BOSS		2
44	902532	BATTERY DISCHARGE INDICATOR + HOUR METER 24V		1
45	903032	BULGIN PANEL MOUNT FUSEHOLDER		1
46	219569	NO8.1/2 INCH. LG.POZI-PAN.SCREW.STAINLESS STEEL.PLASTITE		2
47	219764	M6 STAINLESS STEEL DOME NUT		4
48	229138	SPRING		1
49	900397	MINI ADJUSTMENT GEAR		1
50	219578	M8 FORM A STAINLESS STEEL WASHER		6
51	219099	M6 HALF NUT		1
52	219922	M8 X 50MM LONG SOCKET BUTTON HEAD STAINLESS STEEL BOLT		3
53	291150	NO6 X 1 INCH LONG POZI PAN SCREW S/S		1
54	903260	BOLT AND NUT CAP		2
55	229099	25MM DIA HOLE PLUG		1
56	219370	No8 X 5/8 INCH LONG PLASTITE STAINLESS STEEL SCREW		15
57	903066	FUSE 2.5A (6.3x32)		1
58	227577	REAR INNER HALF MOULDING	STANDARD TGB MACHINE	1
	237543	REAR INNER HALF MOULDING (BLACK)	FOR HGB	
	229509	FLAME RETARDANT REAR INNER HALF MOULDING	FLAME RETARDENT 120V (+HGB)	
60	227584	INTERLOCK LEVER MOULDING		1
61	903546	HANDLE PLUG MOULDING (RED)		1
62	903545	ADJUSTMENT LEVER MOULDING (RED)		1
63	904032	240V EMI FILTER WITH SOCKET COVER ASSEMBLY WITH FLAP	240V VERSION	1
	904031	120V EMI FILTER WITH SOCKET COVER ASSEMBLY (PROCESSED)	120V VERSION	
64	903766	DMH Terminal Block PCB Assembly		1
65	903547	TRIGGER MOULDING (RED)		2

Numatic International Spare Parts

Model No: TGB4045/4055 EXPLODED VIEW: TOP TANK

Internal Code: 908096
 DRAWING: DRW-22926 ISS:A08
 PRO 08/02/2018

NB: FOR WIRING SEE DRAWING: N/A



Numatic International Spare Parts

Model No: TGB4045/4055 EXPLODED VIEW: TOP TANK

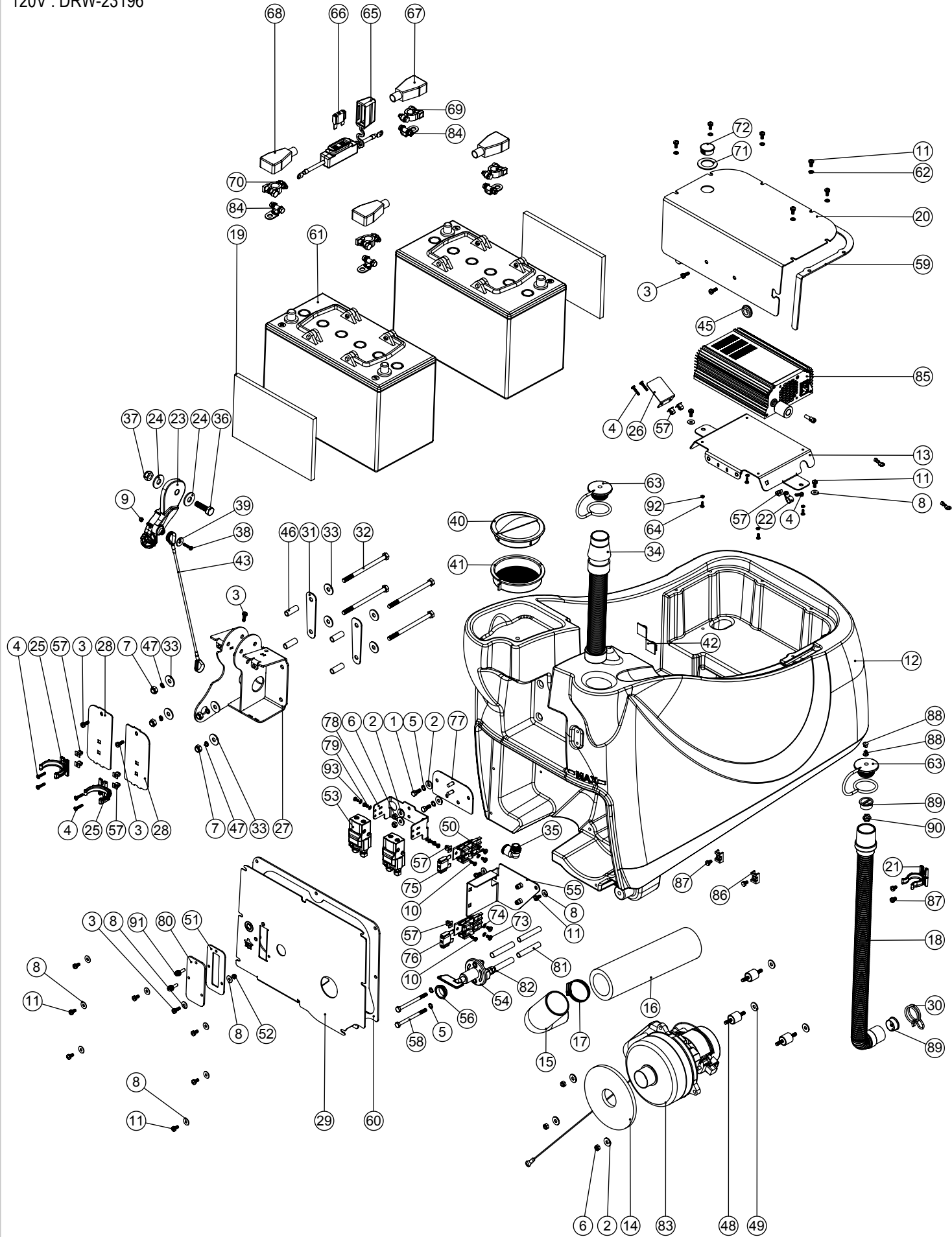
ITEM:	PART No:	DESCRIPTION	COMMENTS:	QTY
1	903157	TTB.4055 TOP TANK MOULDING (GRAPHITE GREY)		1
2	206209	A.B.A HOSE CLIP		1
3	237381	INTEGRATED CHASSIS SEPARATOR		1
4	392200	FILTER GASKET RING		1
5	237090	SEPARATOR FLOAT MOULDING (MK 2)		1
6	237526	38MM RED DRAIN HOSE CONNECTOR		1
7	237018	38MM DRAIN HOSE CONNECTOR		1
8	902919	CLIP MOULDING (RED)		2
9	219852	NO6 X 1/2 LONG POZI PAN STAINLESS STEEL SELF TAP SCREW		4
10	219569	NO8.1/2 INCH. LG.POZI-PAN.SCREW.STAINLESS STEEL.PLASTITE		4
11	219310	RUBBER WASHER		2
12	206315	TUBE END PLUG		3
13	206265	TT/B 345 BARREL FILTER		1
14	206116	BLACK NUT		2
15	208591	NEW SEPARATOR GASKET		1
16	280019	35MM X 690MM LONG 3:1 STRETCH HOSE (SHORT & LONG CUFF)		1
17	213058	VAC HOSE 650MM X Ø38MM		1
18	237718	HOSE GUIDE		1
19	237382	ACETAL HOSE CLIP MOULDING		1
20	901548	35MM X 250MM STRETCH HOSE (3:1) C/W ADJUSTABLE CUFF + CAP		1
20a	900903	HOSE CLOSURE REPLACEMENT KIT (35MM-38MM STRETCH HOSE)	SPARE ITEM	1
21	906070	MESHLESS FILTER BASKET		1
22	291135	M5 X 10MM LONG STAINLESS STEEL POZI PAN SEMS SCREW		2
22	291135	M5 SHAKERHOSE WASHER STAINLESS STEEL		2

Numatic International Spare Parts

Model No: TGB4045/4055 EXPLODED VIEW: BOTTOM TANK

NB: FOR WIRING SEE DRAWINGS:
230V : DRW-22704
120V : DRW-23196

Internal Code: -
DRAWING: DRW-22919 ISS:A18
PRO 04/04/2018



Numatic International Spare Parts

Model No: TGB4045/4055 EXPLODED VIEW: BOTTOM TANK

ITEM:	PART No:	DESCRIPTION	COMMENTS:	QTY
1	219719	M6 X 16MM LONG HEXAGONAL STAINLESS STEEL HEAD BOLT		2
2	219647	M6 FORM G STAINLESS STEEL WASHER		7
3	291132	M5 X 16MM LONG STAINLESS STEEL POZI PAN SEMS SCREW		6
4	219568	NO8 3/4 INCH LG.POZI-PAN.SCREW.STAINLESS STEEL.PLASTITE		7
5	902353	M6 EXTERNAL SHAKEPROOF WASHER STAINLESS STEEL		4
6	219642	M6 STAINLESS STEEL NYLON INSERT NUT		5
7	219639	M8 STAINLESS STEEL NYLON INSERT NUT		4
8	219644	M5 FORM G STAINLESS STEEL WASHER		13
9	219687	M4 STAINLESS STEEL NYLON INSERT NUT		1
10	219569	NO8 X 1/2 INCH LONG POZI PAN STAINLESS STEEL PLASTITE SCREW		2
11	291131	M5 X 12MM LONG STAINLESS STEEL POZI PAN SEMS SCREW		17
12	237741	TTB.4055 BOTTOM TANK MOULDING HD (GRAPHITE)	WITH LOGO	1
	237742	TTB.4055 BOTTOM TANK MOULDING HD (GRAPHITE) EP	WITHOUT LOGO	1
13	903537	CHARGER PLATE - PAINTED SILVER		1
14	208477	MOTOR PAD		1
15	208571	DIP MOULDED ELBOW		1
16	208306	SILENCER FOAM TUBE		1
17	219529	STAINLESS STEEL HOSE CLAMP (45MM - 60MM)		1
18	213025	DUMP HOSE		1
19	208645	FOAM BATTERY SPACER		2
20	903536	CHARGER COVER PLATE PAINTED SILVER		1
21	901916	28mm HOSE CLIP		1
22	219393	P CLIP		1
23	902324	RED SQUEEGEE LIFT HANDLE		1
24	291124	M10 PENNY WASHER STAINLESS STEEL		2
25	237754	35-38MM HOSE CLIP		2
26	392356	TTB NORD CHARGER MIRROR PLATE		1
27	903612	TGB 3045 HANDLE MOUNT WELD ASSEMBLY Z/PL		1
28	903539	HANDLE MOUNT COVER PAINTED SILVER		2
29	903538	TGB4045/55 BACK PLATE PAINTED SILVER		1
30	902133	SPRING WIRE CLAMP (YDNAC-Y8010356)		1
31	392449	HANDLE MOUNT LINK PLATE PAINT SILVER		2
32	291126	M8 X 120 LONG HEX BOLT STAINLESS STEEL		4
33	219716	M8 FORM G STAINLESS STEEL WASHER		8
34	208960	TTB/TT FILLING HOSE		1
35	901539	ELBOW ANGLE CONNECTOR 3/8 PARALLEL THREAD C/W O-RING TO 12MM PUSH IN		1
36	219895	M10 X 35MM LONG HEXAGONAL STAINLESS STEEL SCREW		1
37	219897	M10 STAINLESS STEEL NYLON INSERT NUT		1
38	219686	M4 X 20MM LONG STAINLESS STEEL POZI PAN MACHINE SCREW		1
39	291118	M5 STAINLESS STEEL WASHER 19MM OD		1
40	903544	FILLER CAP LID (RED)		1
41	903543	CLEAN TANK INLET FILTER (RED)		1
42	220403	CABLE CLIP		2
43	208961	TTB LIFTING WIRE		1
44	219558	M5 STAINLESS STEEL NUTSERT		3
45	219735	GROMMET		1
46	305046	30MM PVC HOSE ID 8.0MM X 11.0MM		4
47	219898	M8 SINGLE COIL STAINLESS STEEL WASHER		4
48	902006	AV MOUNT MALE TO MALE M6 X 18 (BODY Ø20X20 - REF.P2004.020-020)		3
49	219008	M6 FORM G WASHER		3
50	230102	FUSE HOLDER RATED AT 60 AMPS		2
51	903601	FUSE PLATE GASKET		1
52	219633			1
53	903736	24V ALBRIGHT CONTACTOR (SU60-2009)		2
54	206746	MASTER KEY SWITCH & KEY	206813 SPARE KEY	1
55	903568	ISOLATOR SUPPORT BRACKET PAINTED SILVER		1
56	902331	QF PVC GROMMET (26MM X 22MM X 2MM)		1
57	900986	NYLON GROMMET NUT (PLASTIC INSERT TO SUIT NO 8 PLASTITE SCREW)		9
58	219915	M6 X 80MM LONG STAINLESS STEEL HEXAGONAL HEAD BOLT		2
59	903541	CHARGER COVER GASKET		1
60	903540	BACK PLATE GASKET		1
61	220867	12V TRACTION BLOCK BATTERY	80Ah VERSION	2
	205112	100 AMP/HOUR REPLACEMENT BATTERY (C/W PACKAGING FOR 230138 BATTERY)	100Ah VERSION	2
62	219355	M5 FORM A STAINLESS STEEL WASHER		6
63	903341	32MM HOSE CAP RED (C/W 8MM HOLE)		2
64	902533	NO6 X 3/8 INCH LONG POZI PAN SELF TAP SCREW STAINLESS STEEL		4
65	907264	WATERPROOF BATTERY FUSE HOLDER.210.RING.RING		1
66	221047	40 AMP MAXI FUSE		1
67	208936	BLACK BATTERY TERMINAL COVER (415N8V14)		2
68	208935	RED BATTERY TERMINAL COVER (415N8V02)		2
69	220455	BATTERY TERMINAL CONVERTOR	80Ah VERSION	2
70	220454	POSITIVE BATTERY TERMINAL CONVERTER	80Ah VERSION	2
71	902328	WINDOW PLUG GASKET		1
72	206314	WINDOW PLUG		1
73	219864	M5 X 8MM LONG POZI-PAN SCREW Z/PL		4
74	219861	M5 SINGLE COIL STAINLESS STEEL WASHER		4
75	230104	30 AMP MAXI FUSE		1
76	221091	20 AMP MAXI FUSE		1
77	903571	CONTACTOR ADAPTER BRACKET ASSY PAINTED SILVER		1
78	903572	CONTACTOR BRACKET (TGB) PAINTED SILVER		1
79	219697	M4 X 8MM LONG POZI PAN STAINLESS STEEL SCREW		4
80	903602	FUSE COVER PLATE		1
81	903663	10MM O/D X 1MM WALL THICKNESS S/STEEL TUBE CUT TO LENGTH (0.060)		2
82	903664	60MM LONG X 10MM I/D BLACK PVC SLEEVING		2
83	903473	24V TANGENTIAL DISCHARGE 2-STAGE VAC MOTOR ASSEMBLY		1
84	902666	BATTERY CONNECTOR (M6 - M10)	100Ah VERSION	4
85	903933	CHARGER ASSEMBLY NORD 230V 10A		1
	903934	CHARGER ASSEMBLY NORD 120V 10A		1
86	220904	CABLE CLIP PLATFORM		2
87	291135	M5 X 10MM LONG STAINLESS STEEL POZI PAN SEMS SCREW		4
88	904403	BARBED RIVET BLACK		2
89	904108	FLOAT STOP MOULDING		2
90	904109	FLOAT MOULDING		1
91	904491	M5 X 16MM SLOT KNURLED THUMB SCREW NYLON (WHITE)		2
92	904219	M3 STAINLESS STEEL EXTERNAL SHAKEPROOF WASHER		4
93	291145	M4 SHAKEPROOF WASHER STAINLESS STEEL		4

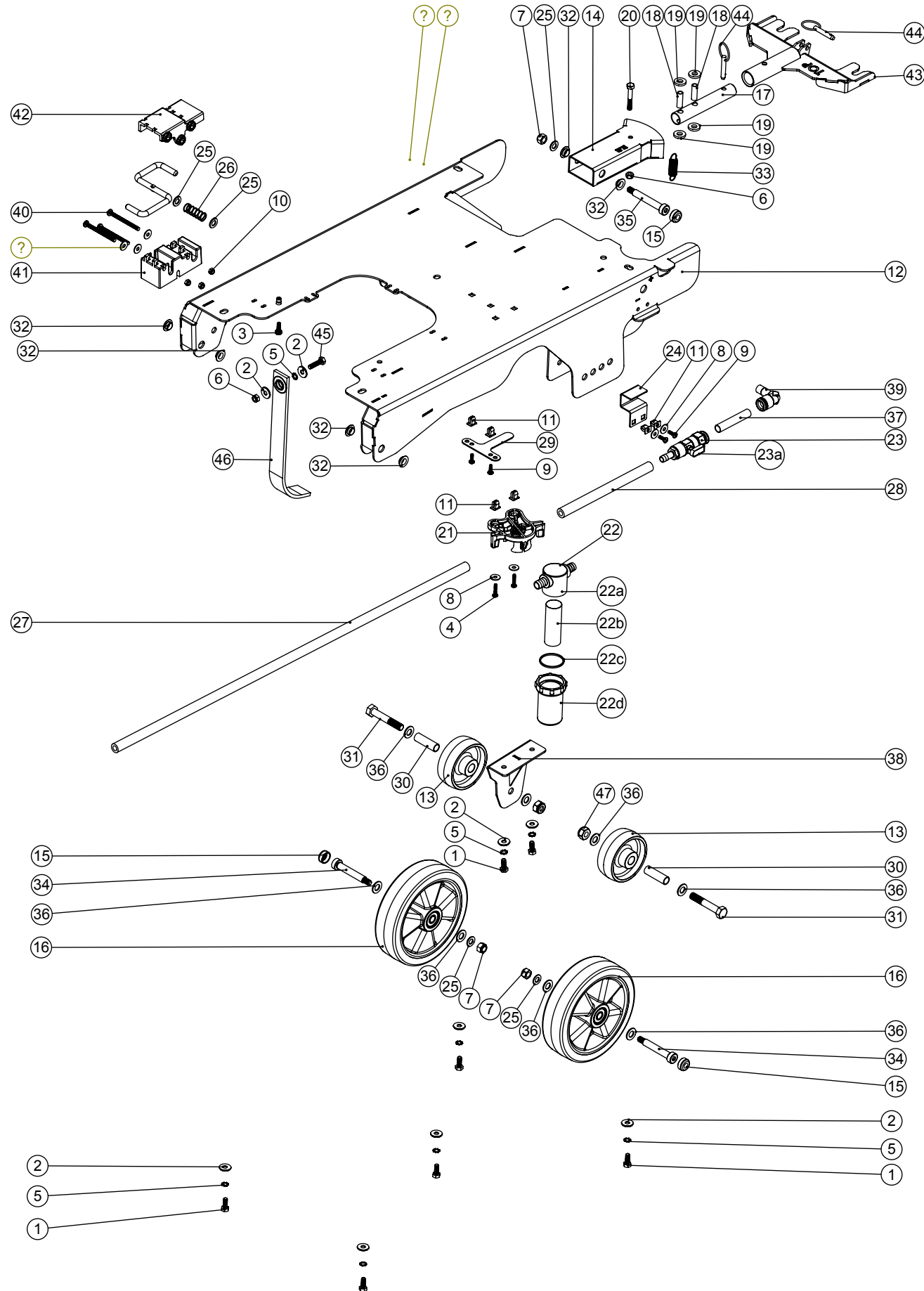
Numatic International Spare Parts

Model No: TGB4045/4055 EXPLODED VIEW: CHASSIS

Internal Code: -

DRAWING: DRW-22935 ISS:A07
02/02/2017

NB: FOR WIRING SEE DRAWING: N/A



Numatic International Spare Parts

Model No: TGB4045/4055 EXPLODED VIEW: CHASSIS

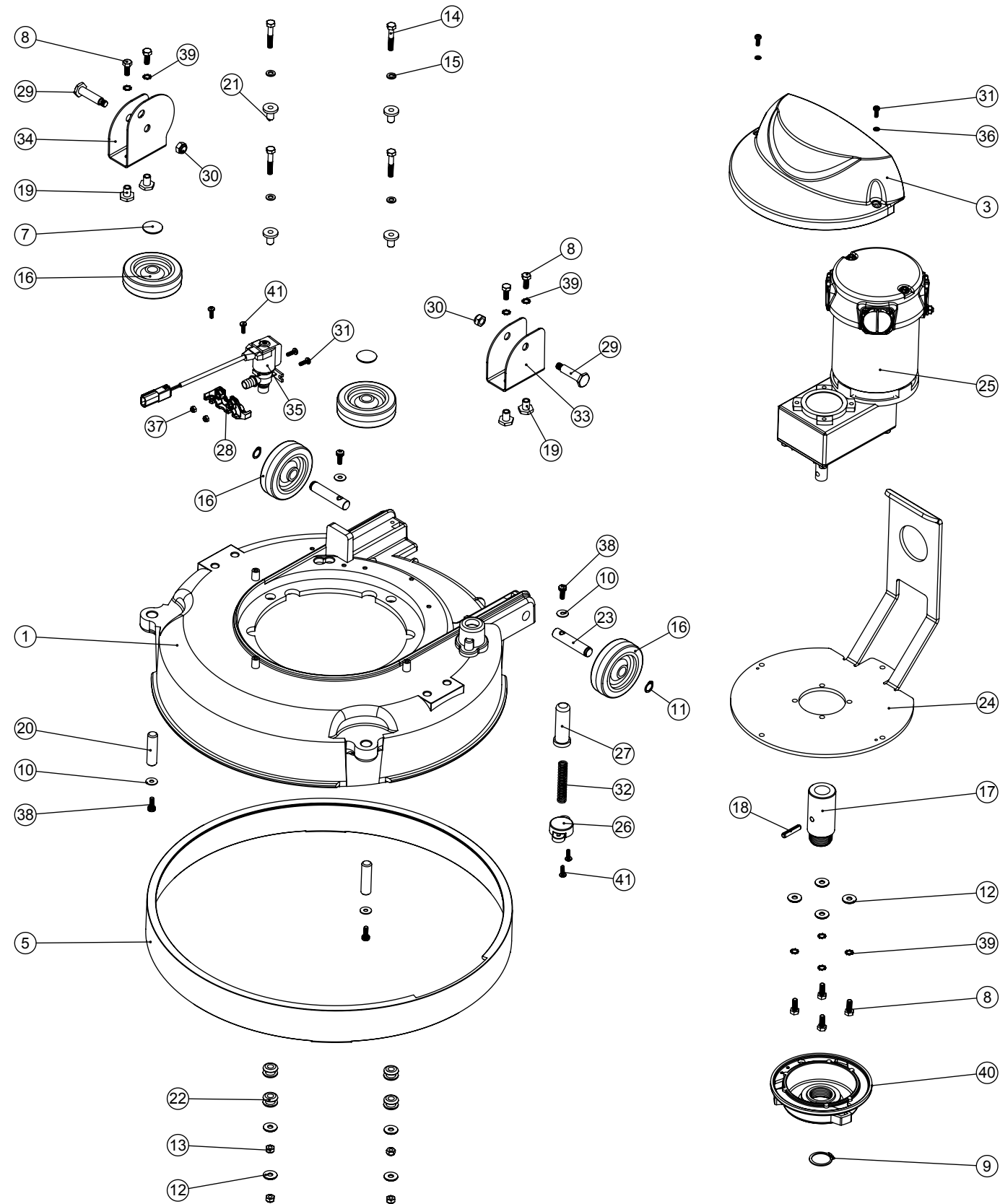
ITEM:	PART No:	DESCRIPTION	COMMENTS:	QTY
1	219719	M6 X 16MM LONG HEXAGONAL STAINLESS STEEL HEAD BOLT		7
2	219647	M6 FORM G STAINLESS STEEL WASHER		9
3	291132	M5 X 16MM LONG STAINLESS STEEL POZI PAN SEMS SCREW		1
4	219568	NO8.3/4 INCH LG.POZI-PAN.SCREW.STAINLESS STEEL.PLASTITE		2
5	902353	M6 EXTERNAL SHAKEPROOF WASHER STAINLESS STEEL		8
6	219642	M6 STAINLESS STEEL NYLON INSERT NUT		2
7	219639	M8 STAINLESS STEEL NYLON INSERT NUT		3
8	219644	M5 FORM G STAINLESS STEEL WASHER		7
9	219569	NO8.1/2 INCH. LG.POZI-PAN.SCREW.STAINLESS STEEL.PLASTITE		4
10	219633	M5 STAINLESS STEEL NYLON INSERT NUT		3
11	900986	NYLON GROMMET NUT (PLASTIC INSERT TO SUIT No 8 PLASTITE SCREW)		6
12	903559	TGB/4045/4055 CHASSIS WELD ASSY (12SWG M/S) PAINT SILVER		1
13	206713	80MM DIAMETER WHITE WHEEL		2
14	304359	TT/TTB/4045/4055 SQUEEGEE MOUNT WELD ASSEMBLY		1
15	237632	SHOULDER BOLT COVER		3
16	208638	160mm WHEEL WITH POLYURETHENE TYRE		2
17	304356	FLOOR TOOL PIVOT TUBE		1
18	206954	SPIRO SPACER		2
19	206964	SLIDE NYLON SPACER		4
20	291125	M6 X 40 LONG HEX BOLT STAINLESS STEEL		1
21	901006	FILTER MOUNTING BRACKET		1
22	208888	EXTENDED STRAINER		1
22a	208827	STRAINER BLACK TOP	SPARE PART	1
22b	208889	EXTENDED STRAINER 50 MESH SCREEN	SPARE PART	1
22c	208830	STRAINER GASKET	SPARE PART	1
22d	208890	EXTENDED STRAINER CLEAR BOWL	SPARE PART	1
23	901542	12MM PUSH FIT TO 10MM HOSE TAIL BALL VALVE ASSEMBLY		1
23a	901544	TAP HANDLE C/W COVER AND M3X6MM SCREW (SPARE ITEM)	SPARE PART	1
24	392314	10MM TAP BRACKET		1
25	219578	M8 FORM A STAINLESS STEEL WASHER		5
26	208578	DECK LOCK SPRING		1
27	391453	SILICON TUBE 750MM LONG X 8MM I/D X 3.2MM WALL SECTION		1
28	391452	SILICON TUBE 8MM I/D X 3.2MM WALL SECTION (CUT 190MM)		1
29	321902	SILENCER CLAMP		1
30	391440	1/2 INCH X 18G X 41MM LONG STAINLESS STEEL SPACER TUBE		2
31	219894	M10 X 60MM LONG HEXAGONAL STAINLESS STEEL BOLT		2
32	208312	IGUS BEARING (GFM 101205)		6
33	208619	FLOOR TOOL SPRING		1
34	291057	M8 X 10 X 55MM LONG HEX SOCKET SHOULDER BOLT		2
35	208574	M8 X 10 X 60MM LONG HEX SOCKET SHOULDER BOLT		1
36	219903	M10 FORM A STAINLESS STEEL WASHER		8
37	901553	NYLON TUBE 12MM OD X 10MM ID (65MM)		1
38	903611	TGB TRANSPORT WHEEL BRACKET WELD ASSEMBLY PAINT SILVER		1
39	901545	ELBOW ANGLE CONNECTOR 12MM PUSH IN TO 12MM STEM		1
40	901558	M5 X 60MM STAINLESS STEEL POZI PAN MACHINE SCREW		3
41	901280	LATCH BLOCK BOTTOM MOULDING		1
42	901279	LATCH BLOCK TOP MOULDING		1
43	304466	FLOOR TOOL BRACKET ASSEMBLY (TT/TTB4045/4055)		1
44	206953	DETENT PINS		2
45	219925	M6 x 25MM LONG STAINLESS STEEL HEX SCREW		1
46	903683	ANTI-STATIC STRAP (CUT TO LENGHT: 270MM LONG)		1
47	219897	M10 STAINLESS STEEL NYLON INSERT NUT		2
48	904440	DECK LATCH BAR		1
49	219558	M5 STAINLESS STEEL NUTSERT		1

Numatic International Spare Parts

Model No: TGB 3045/4045 (& HGB) BRUSH DECK ASSEMBLY EXPLODED VIEW

Internal Code: 903634
 DRAWING: DRW-22932 ISS:A10
 MS5 05/01/2017

NB: FOR TGB 3045 WIRING SEE DRAWING: DRW-22779
 NB: FOR TGB 4045 WD: DRW-22704



Numatic International Spare Parts

Model No: TGB 3045/4045 (& HGB) BRUSH DECK ASSEMBLY EXPLODED VIEW

Provisional

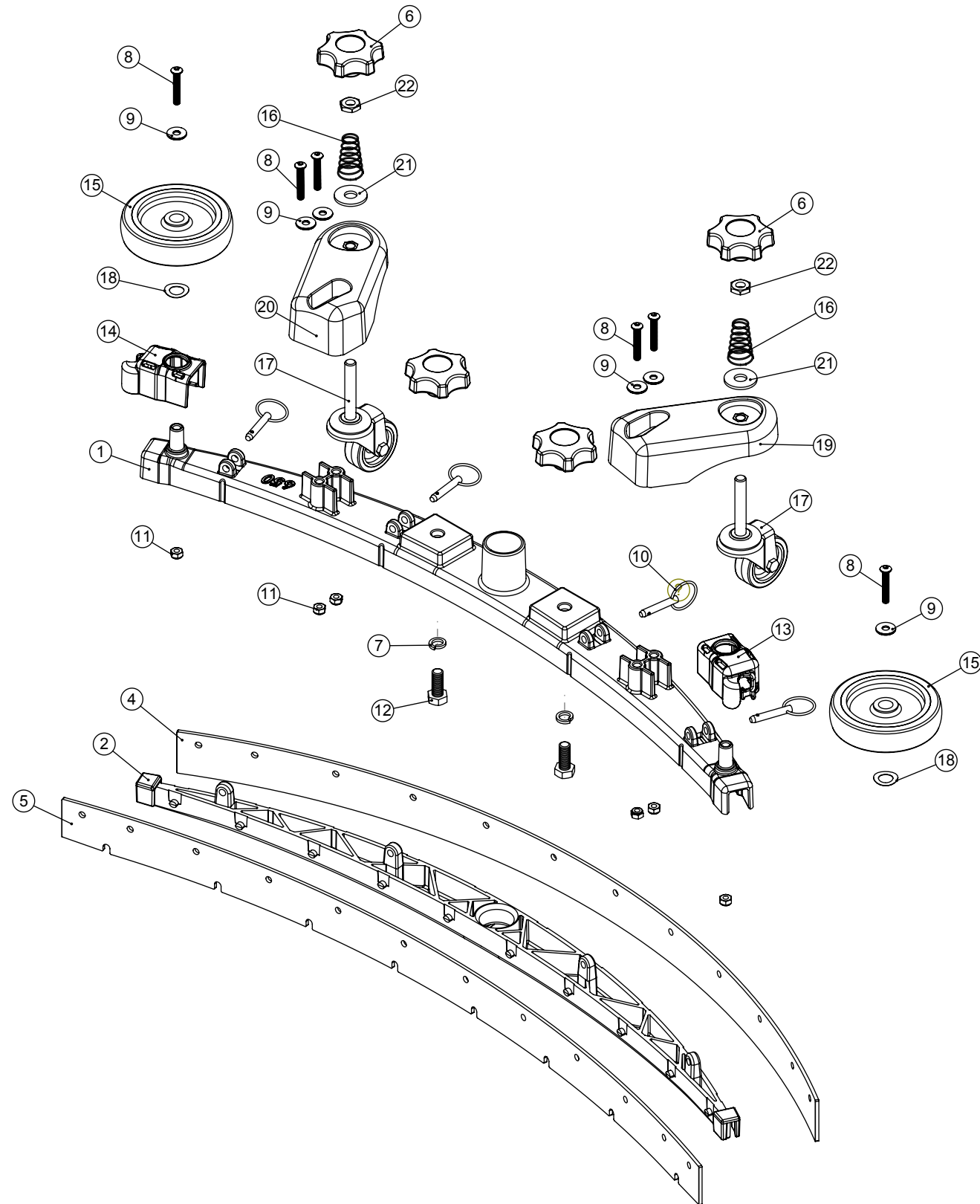
ITEM:	PART No:	DESCRIPTION	COMMENTS:	QTY.
1	229258	TT 345 GRAPHITE BASE MOULDING (SPARES USE 329090)		1
	904896	HGB3045 RED BASE MOULDING (SPARES USE 905414)	HGB	
3	237380	AMER MOTOR COVER		1
	904897	AMER MOTOR COVER (BLACK)	HGB	
5	229644	450MM DIAMETER SPLASH SKIRT MOULDING		1
	904898	450MM DIAMETER SPLASH SKIRT MOULDING (BLACK)	HGB	
7	204021	12.7MM STAINLESS STEEL HUB CAP		2
8	219719	M6 X 16MM LONG HEXAGONAL STAINLESS STEEL HEAD BOLT		8
9	230048	26MM EXTERNAL CIRCLIP		1
10	219644	M5 FORM G STAINLESS STEEL WASHER		4
11	219345	12MM EXTERNAL CIRCLIP		2
12	219647	M6 FORM G STAINLESS STEEL WASHER		8
13	219642	M6 STAINLESS STEEL NYLON INSERT NUT		4
14	291127	M6 X 35 LONG HEX BOLT STAINLESS STEEL		4
15	219870	M6 FORM A WASHER STAINLESS STEEL		4
16	204068	3 INCH GREY WHEEL		4
17	208727	DRIVE SHAFT		1
18	291079	6MM X 30MM STAINLESS STEEL ROLL PIN		1
19	219606	BRACKET SPACER		4
20	206013	BUFFER WHEEL PIN		2
21	208011	MOTOR MOUNTING SPACER		4
22	229025	STANDARD GROMMET		4
23	229382	REAR WHEEL PIN		2
24	392362	MOTOR ADAPTOR PLATE PAINT SILVER GREY		1
25	205245	AMER 100RPM MOTOR	230222 - REPLACEMENTBRUSH SET	1
26	223242	PLUNGER MOUNTING PLATE MOULDING		1
27	229128	PLUNGER		1
28	902556	SOLENOID MOUNT MOULDING		1
29	206236	PIVOT PIN		2
30	219639	M8 STAINLESS STEEL NYLON INSERT NUT		2
31	219890	M4 X 12MM LONG POZI PAN STAINLESS STEEL SCREW		4
32	219394	COMPRESSION SPRING		1
33	392249	DECK MOUNT RH		1
34	392248	DECK MOUNT BRACKET		1
35	902949	TERMINATED SOLONOID CABLE.BLACK.125.0M5.2.24		1
36	291145	M4 SHAKEPROOF WASHER STAINLESS STEEL		2
37	219687	M4 STAINLESS STEEL NYLON INSERT NUT		2
38	291132	M5 X 16MM LONG STAINLESS STEEL POZI PAN SEMS SCREW		4
39	902353	M6 EXTERNAL SHAKEPROOF WASHER STAINLESS STEEL		8
40	230285	MODIFIED CHUCK (CRO)		1
41	219569	NO8.1/2 INCH. LG.POZI-PAN.SCREW.STAINLESS STEEL.PLASTITE		4

Numatic International Spare Parts

Model No: 650 TWINTEC ALUMINIUM FLOOR TOOL (38MM HOSE, RED TRIM, SERILOR BLADES)

Internal Code: 903347
 DRAWING: DRW-22621 ISS:A09
 PRO 27/03/2018

NB: FOR WIRING SEE DRAWING: N/A



Numatic International Spare Parts

Model No: 650 TWINTEC ALUMINIUM FLOOR TOOL (38MM HOSE, RED TRIM, SERILOR BLADES)

ITEM:	PART No:	Description	Qty
1	208198	(650MM SCRUB WIDTH) ALUMINIUM SQUEEGEE CASTING (38MM HOSE FITTING)	1
2	903345	(650MM SCRUB WIDTH) RED BLADE HOLDER MOULDING (SLOPING PROFILE) (32MM & 38MM HOSE FITTING)	1
	900518	650 REPLACEMENT SERILOR GREEN POLYURETHANE BLADES SET	
4	208970	(650MM SCRUB WIDTH) REPLACEMENT (4.0MM / 35-45-35 SHORE A) REAR LAMINATED SERILOR POLY/BLADE (847MM LONG)	1
5	208967	(650MM SCRUB WIDTH) REPLACEMENT (3.2MM / 40 SHORE A) FRONT MONOLAYER SERILOR POLY/BLADE (819MM LONG)	1
6	903281	M10 LOBE KNOB (RED)	4
7	219899	M10 SINGLE COIL STAINLESS STEEL WASHER	2
8	219933	M6 X 35MM SOCKET BUTTON HEAD BOLT STAINLESS STEEL	6
9	219647	M6 FORM G STAINLESS STEEL WASHER	6
10	206953	DETENT PINS	4
11	219642	M6 STAINLESS STEEL NYLON INSERT NUT	6
12	219909	M10 X 25MM LONG HEXAGONAL STAINLESS STEEL SCREW	2
13	237322	RIGHT HAND FLOOR TOOL CLIP MOULDING	1
14	237323	LEFT HAND FLOOR TOOL CLIP MOULDING	1
15	208796	4 INCH WHEEL	2
16	229175	CONICAL SPRING	2
17	907759	50MM DIAMETER GREY TPR TYRED SWIVEL CASTOR C/W M10 X 60 SWAGED STEM.	2
18	219891	13MM WAVEY WASHER	2
19	906860	ADJUSTABLE FLOOR TOOL CASTOR PLASTIC PLATE LEFT	1
20	906859	ADJUSTABLE FLOOR TOOL CASTOR PLASTIC PLATE RIGHT	1
21	291124	M10 PENNY WASHER STAINLESS STEEL	2
22	219951	A4 (STAINLESS STEEL) M10 HEX LOCK NUT (HALF NUT)	2