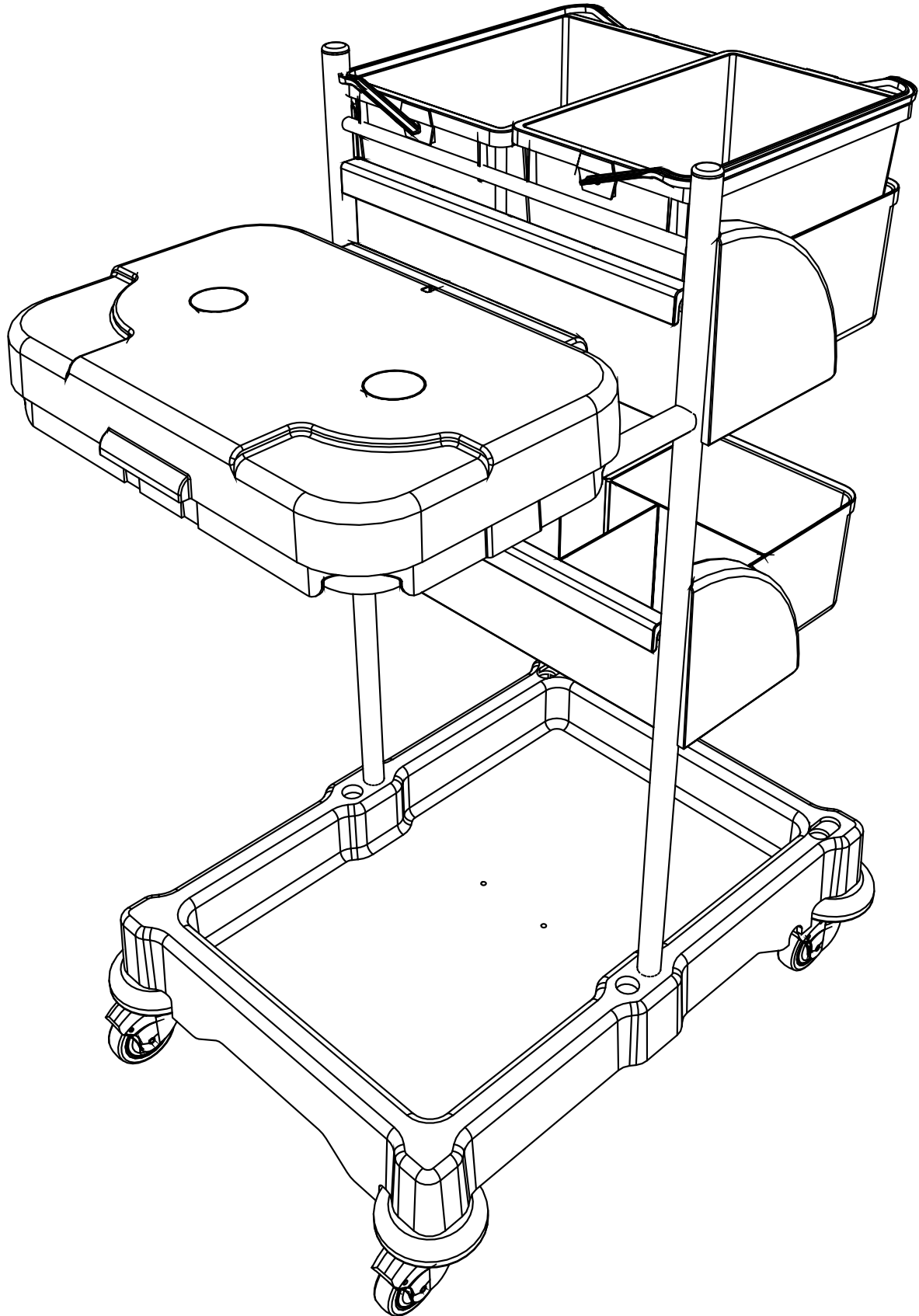
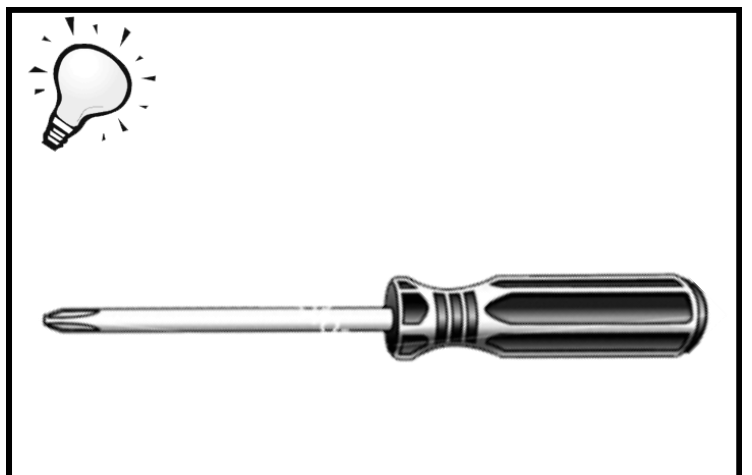
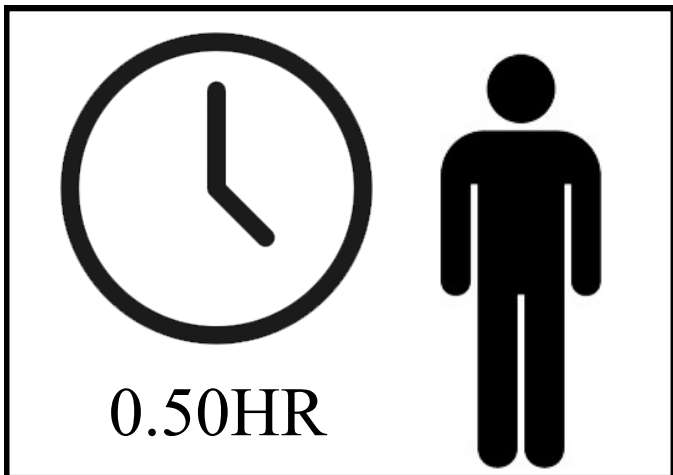
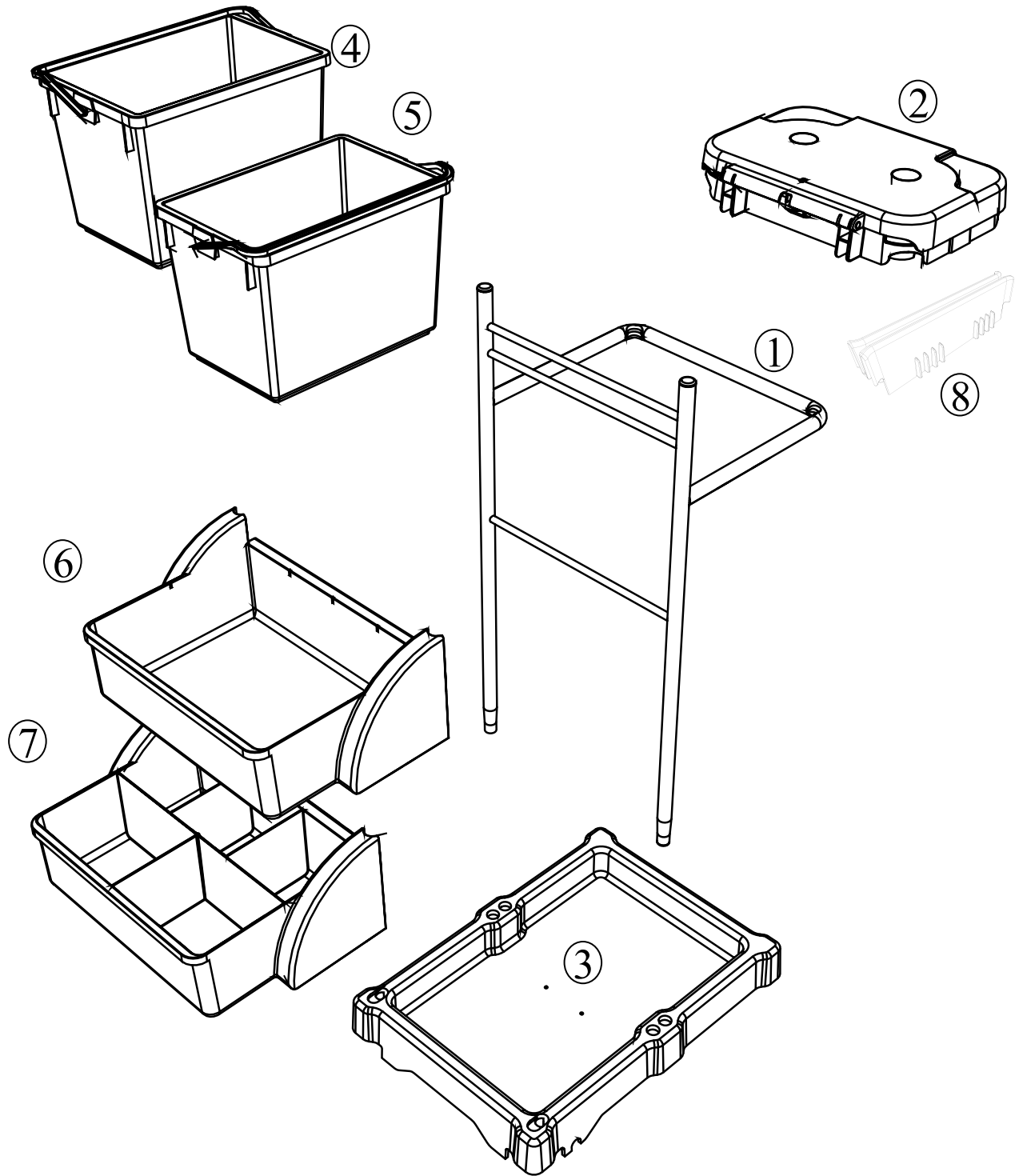


Numatic

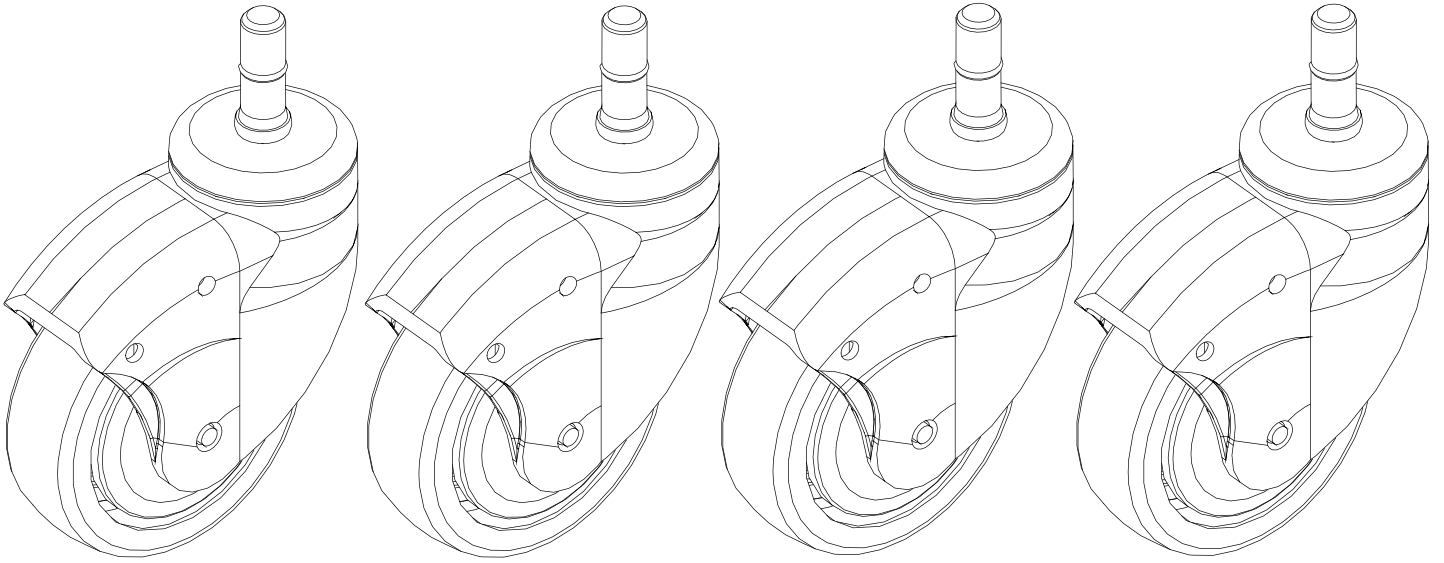
XC3 (GRAPHITE GREY)



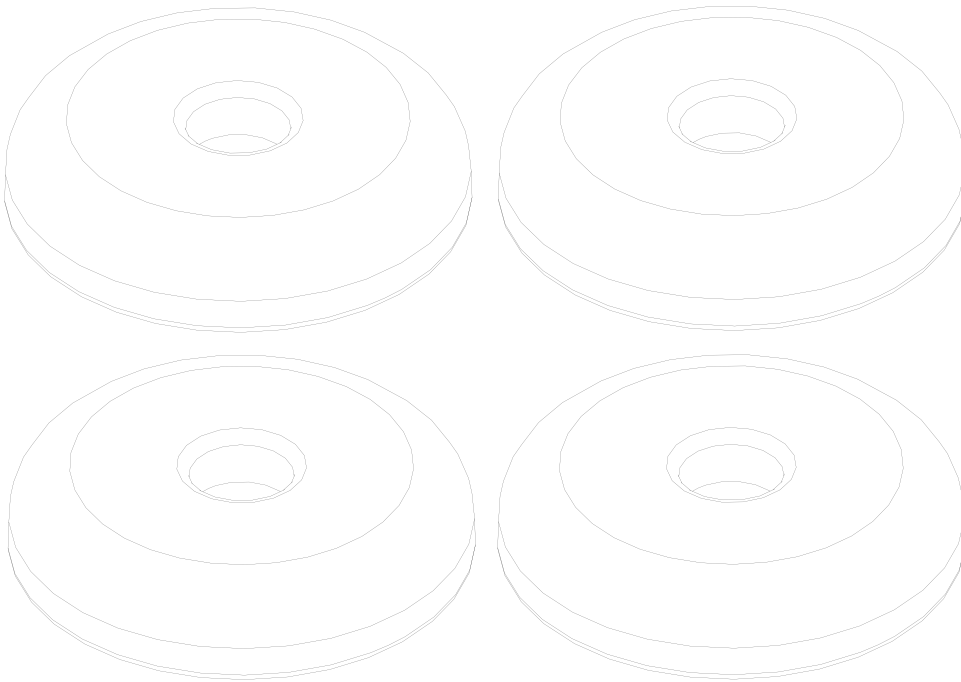


ITEM	PART	DESCRIPTION	QTY
1	901481	UPRIGHT	1
2	901226	LIDSET	1
3	901485	BASE	1
4	628011	10 LTR PAIL RED	1
5	628012	10 LTR PAIL BLUE	1
6	901482	CLIP ON FULL TRAY (GRAPHITE)	1
7	901483	CLIP ON FULL TRAY DIVIDED (GRAPHITE)	1
8	229627	BAG FRAME INSERT MOULDING	1
—	900987	GREY ZIPPED BAG (NOT SHOWN)	1
—	629444	REPLACEMENT 70L WASTE SACKS (NOT SHOWN)	1 X 10
—	629445	REPLACEMENT 120L WASTE SACKS (NOT SHOWN)	1 X 10

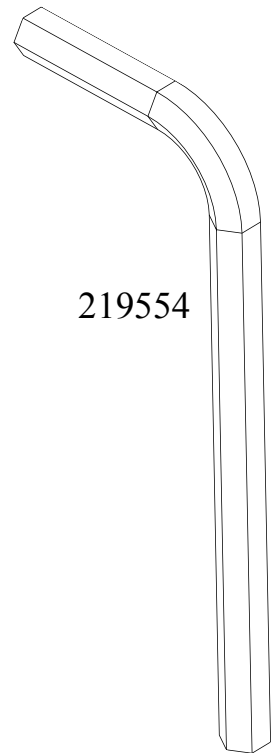
204108



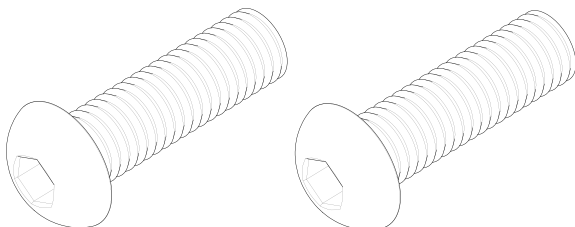
227479



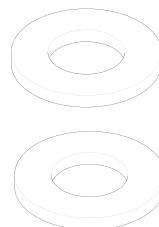
219554



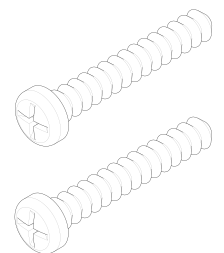
291067
M8 X 25

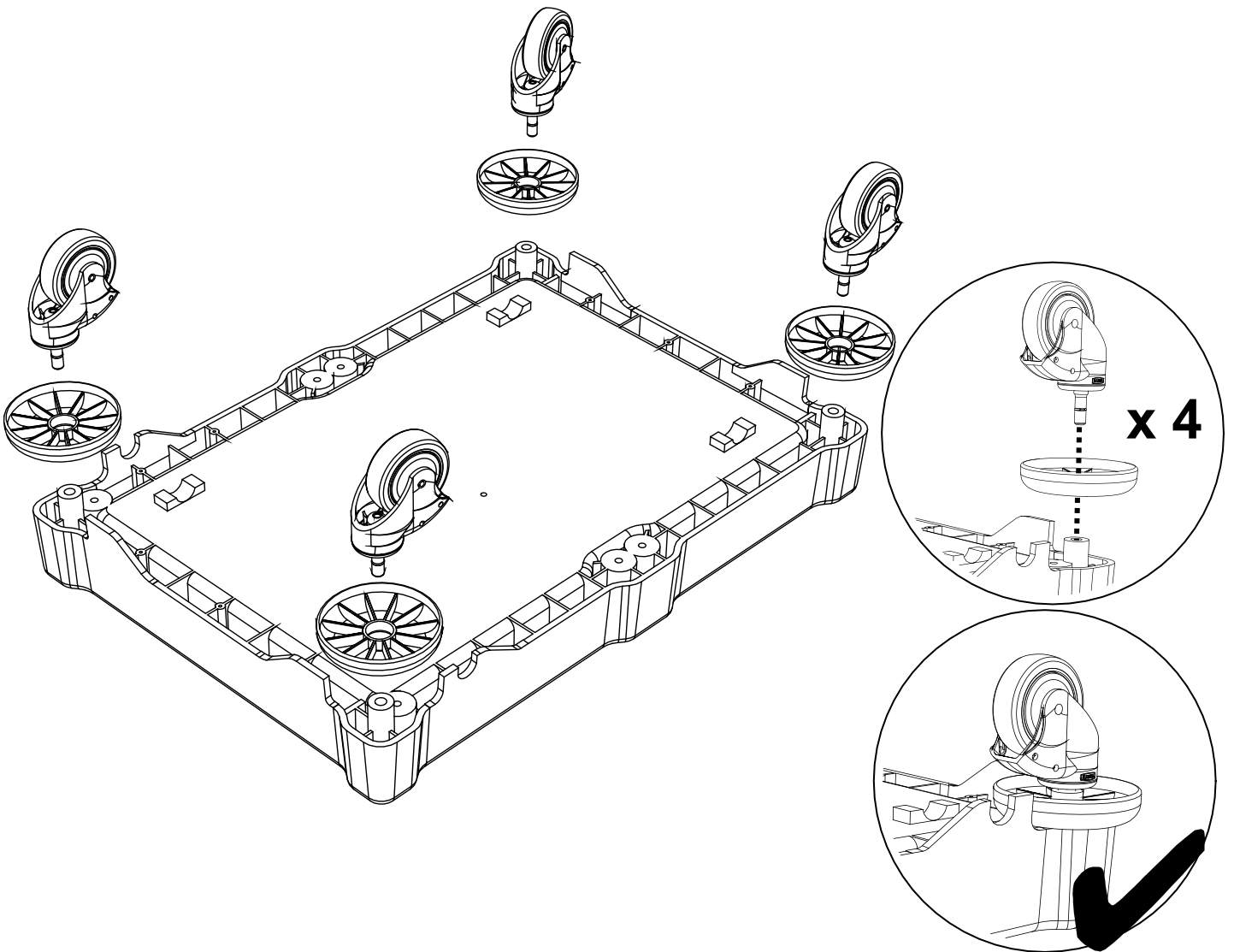
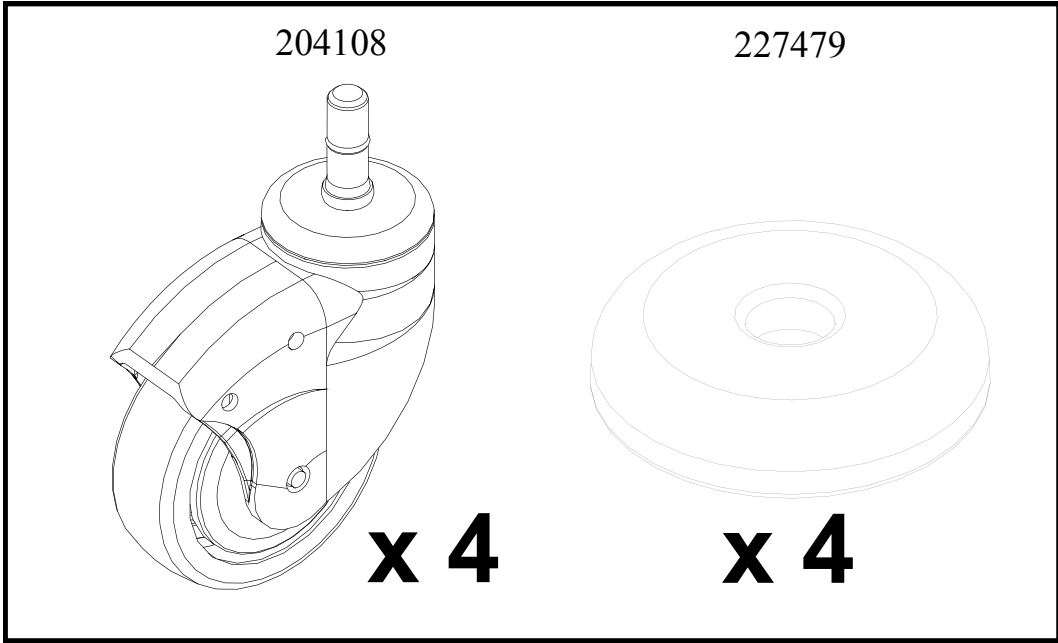


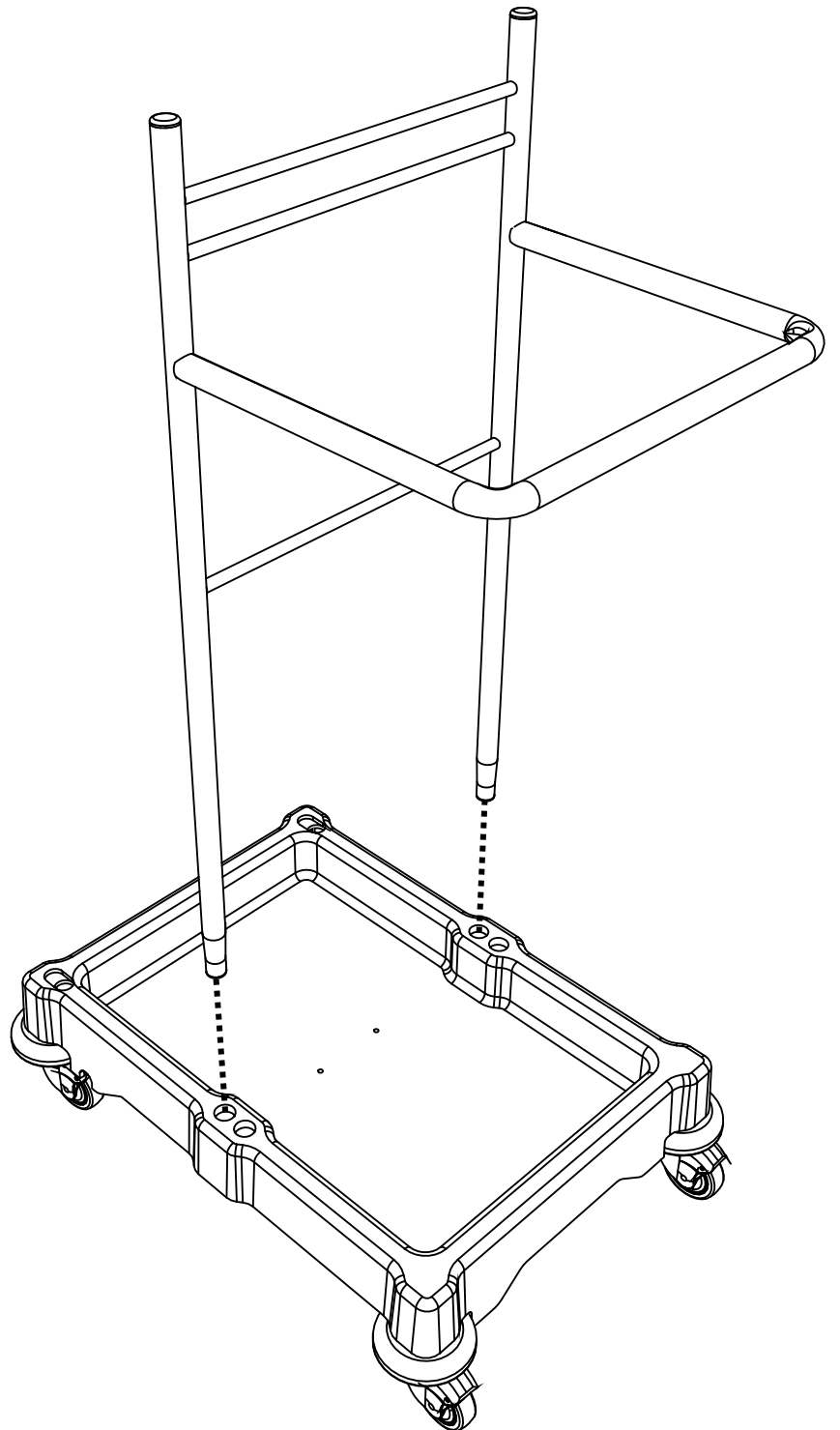
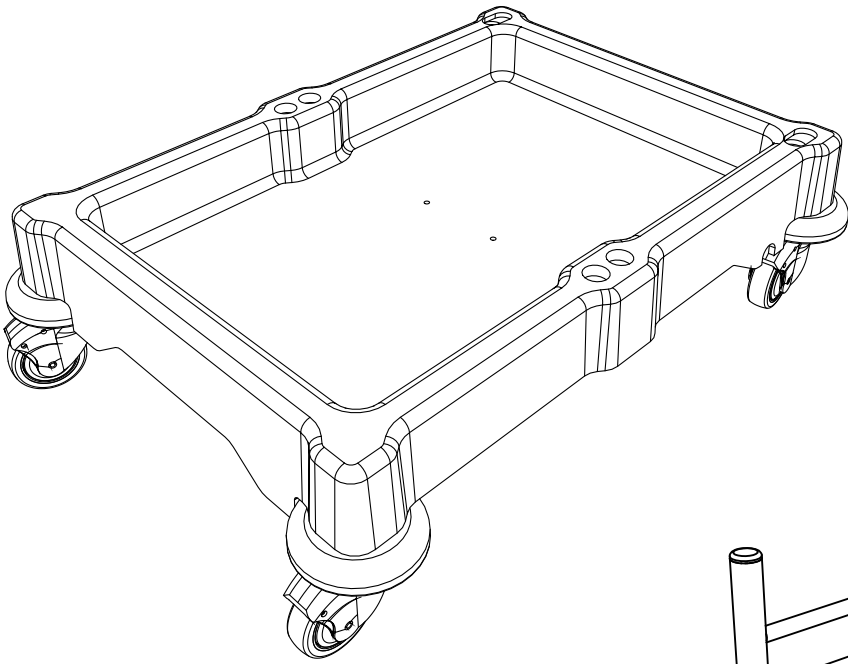
291068
M8

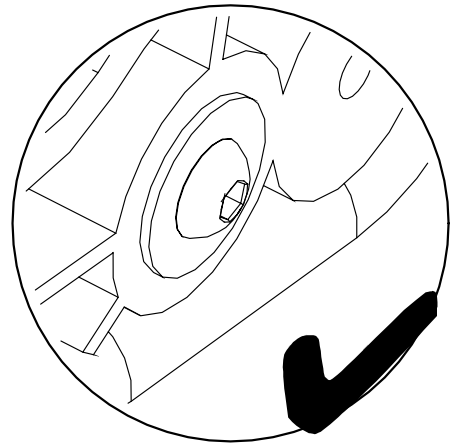
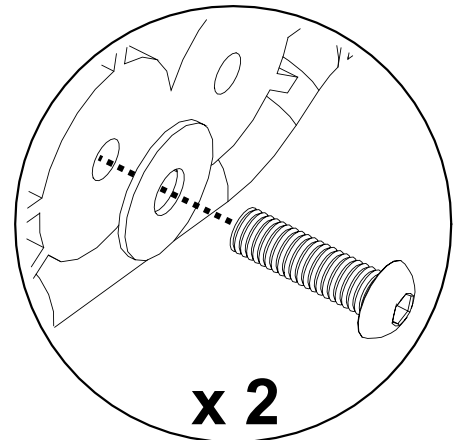
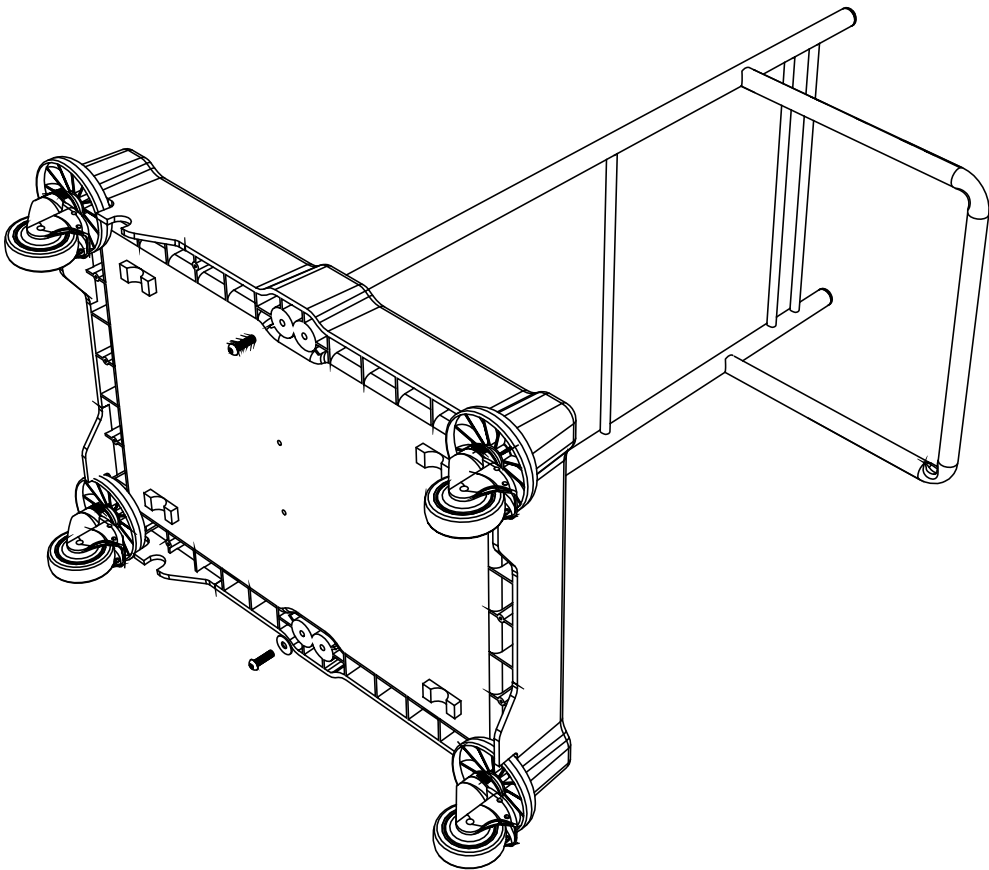
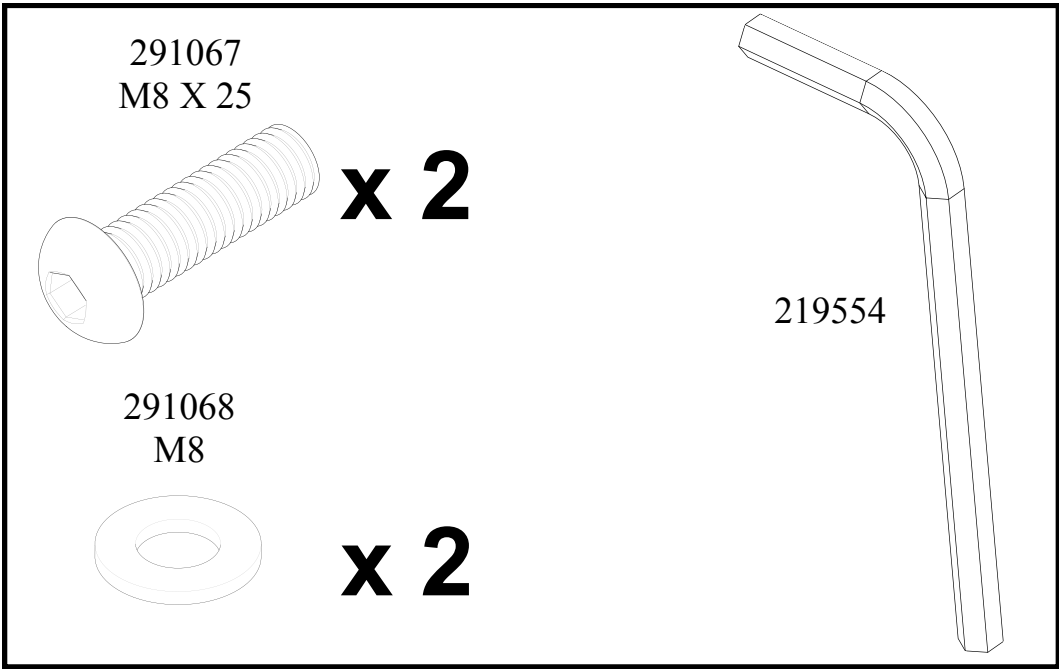


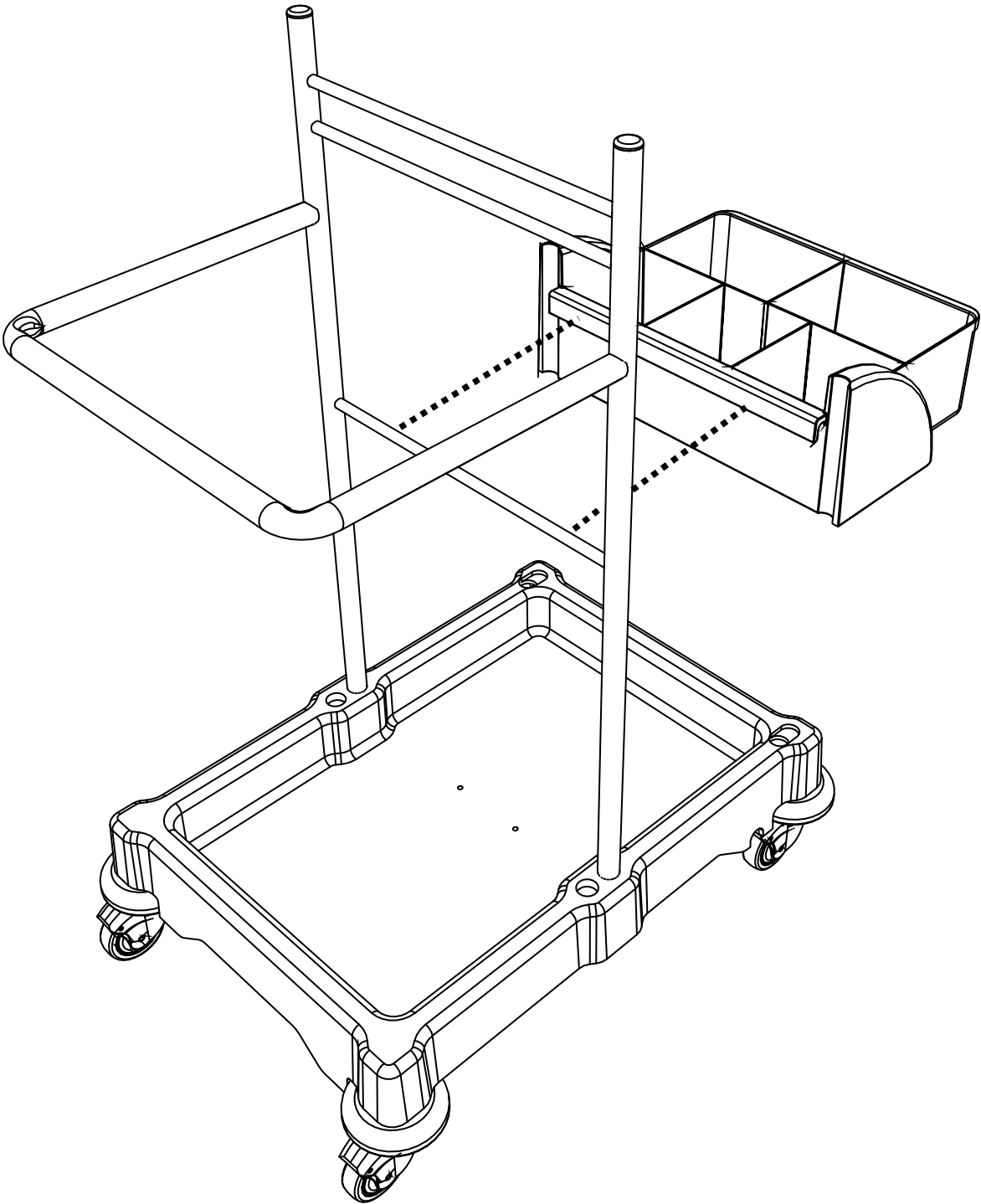
219602
No6 x 1inch

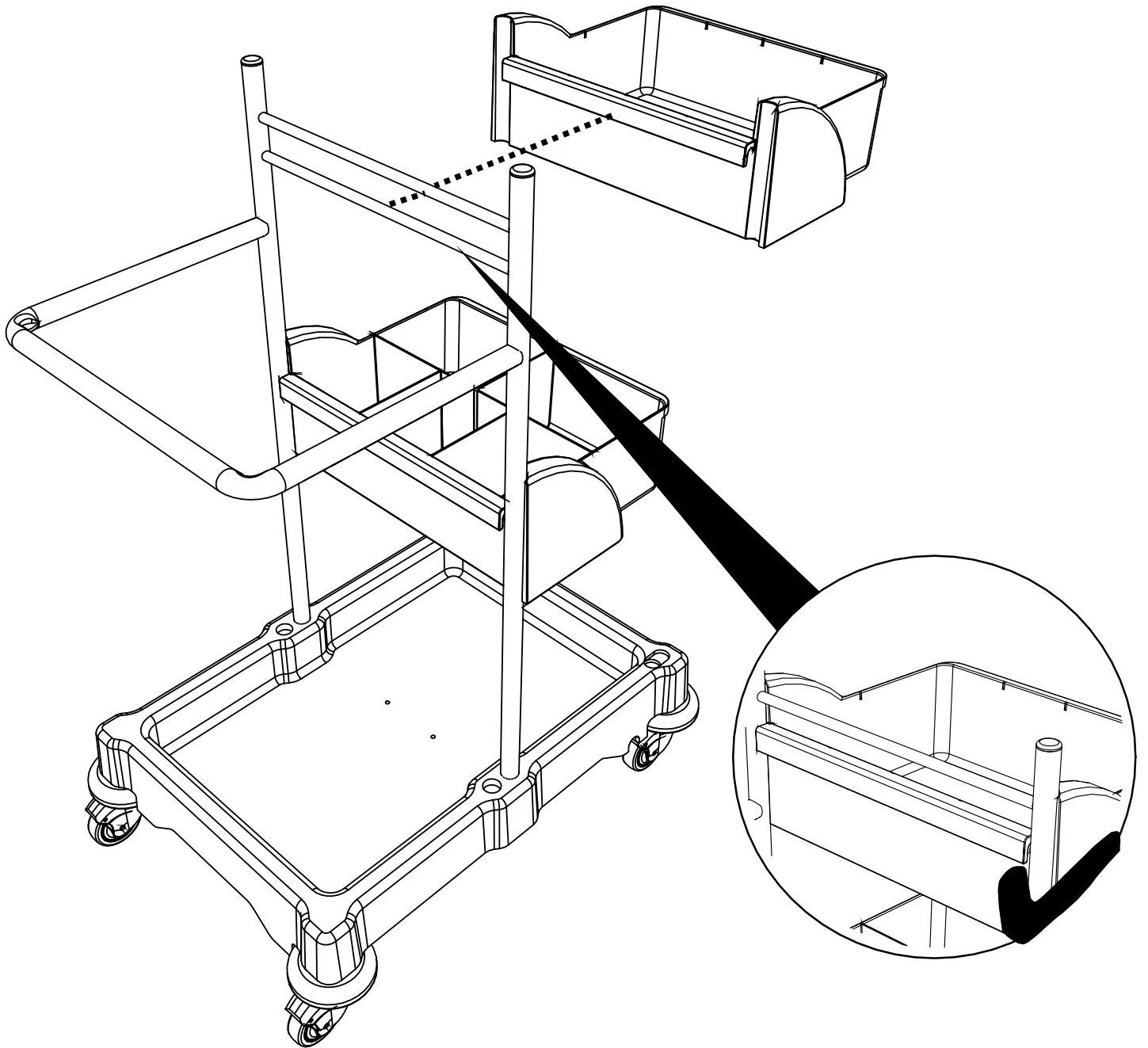


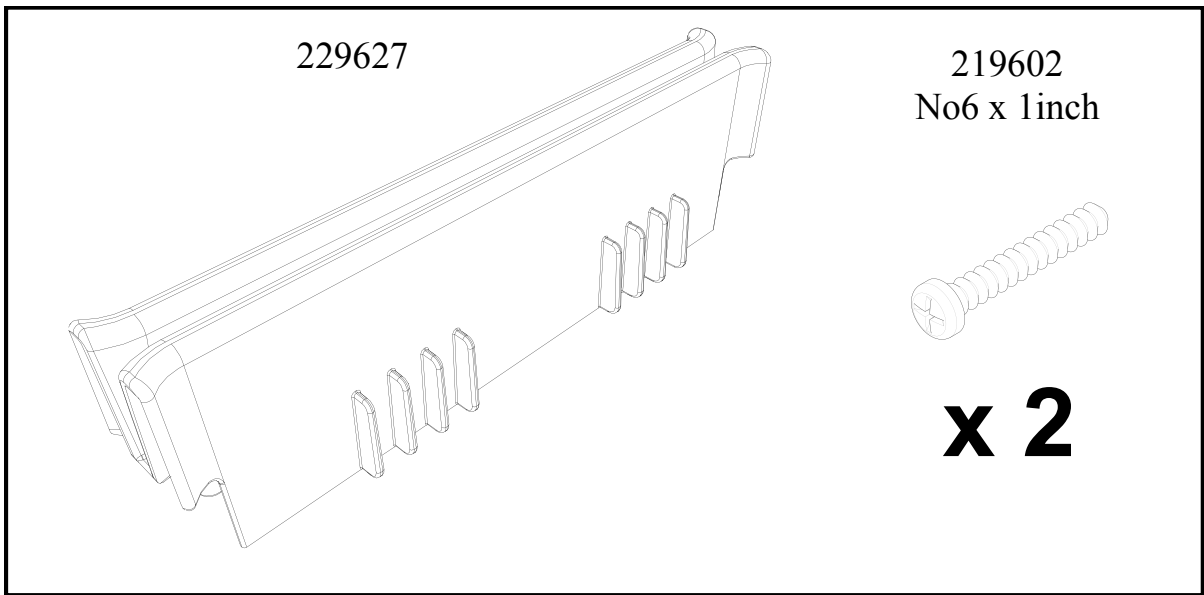




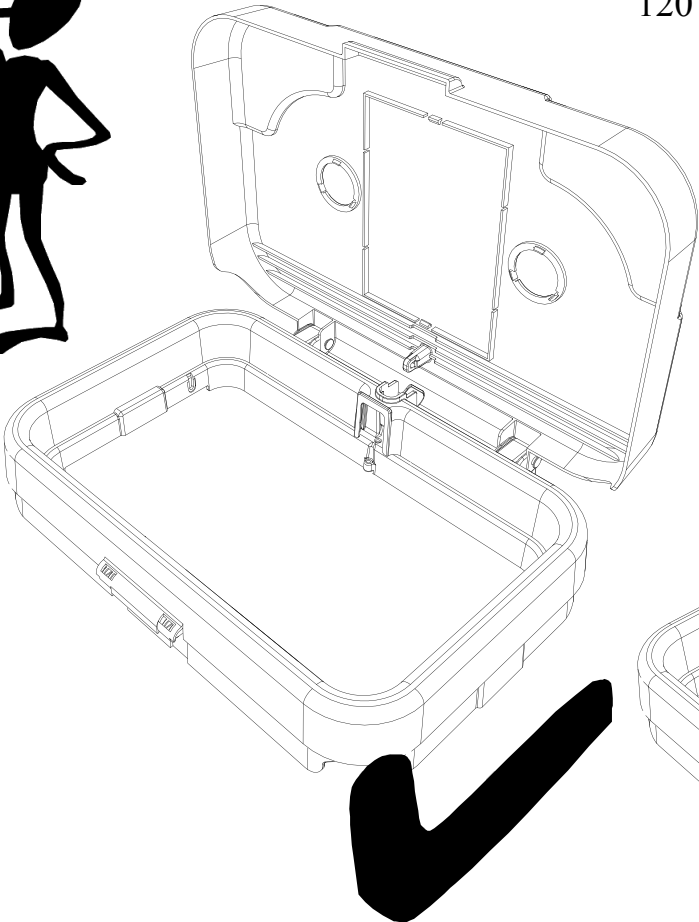








120 LTR



140 LTR

