

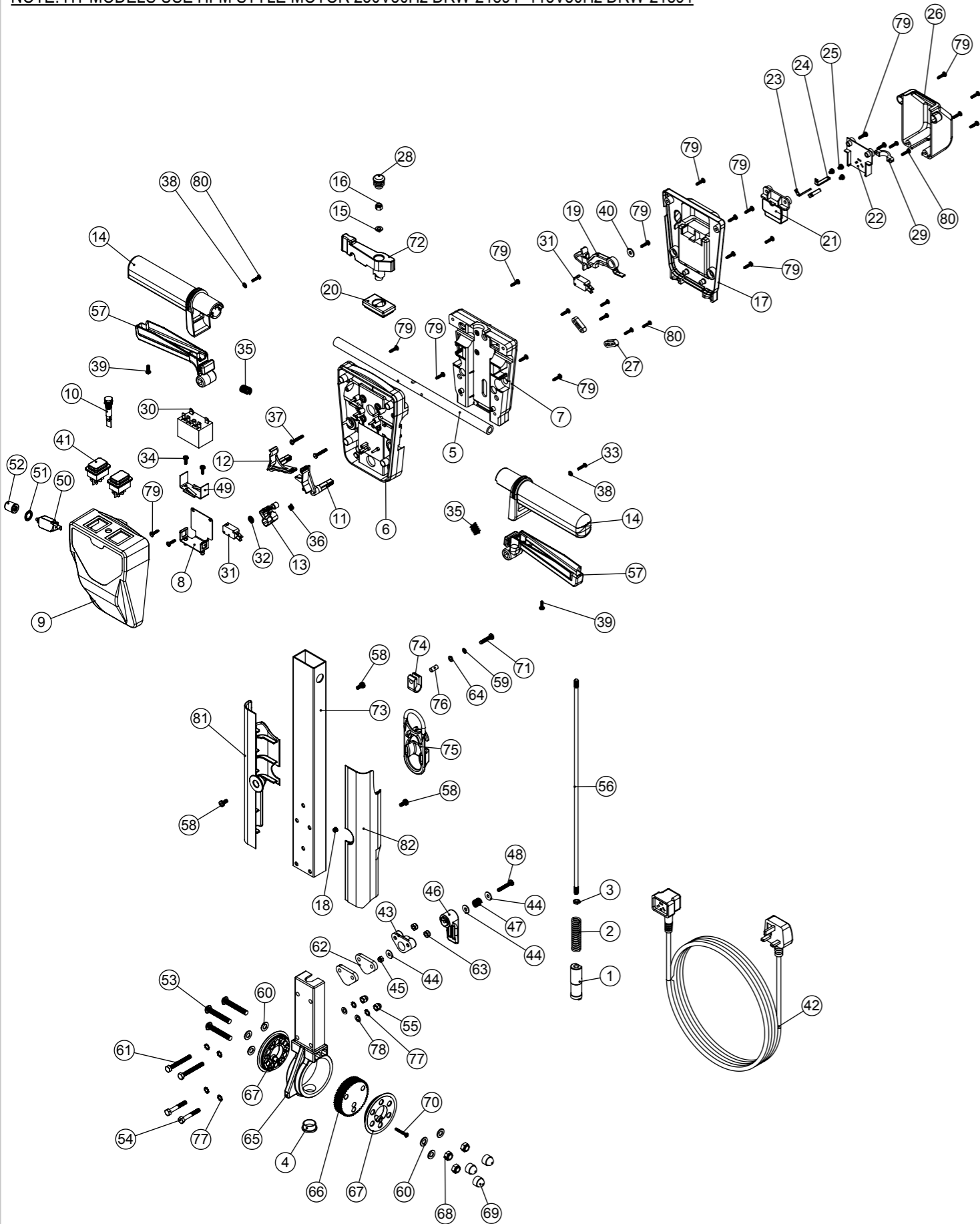
# Numatic International Spare Parts

**Model No:** TT4045 (TT1117) & TT4055 (TT1120) HANDLE ASSEMBLY

Internal Code: 244495  
 DRAWING: DRW-16831 ISS:A22  
 PRO 17/09/2019

NB: FOR WIRING SEE DRAWING: DRW-18548, DRW-17307, DRW-17309, DRW-18468

NOTE: HT MODELS USE HFM STYLE MOTOR 230V50Hz DRW-21894 115V50Hz DRW-21891



# Numatic International Spare Parts

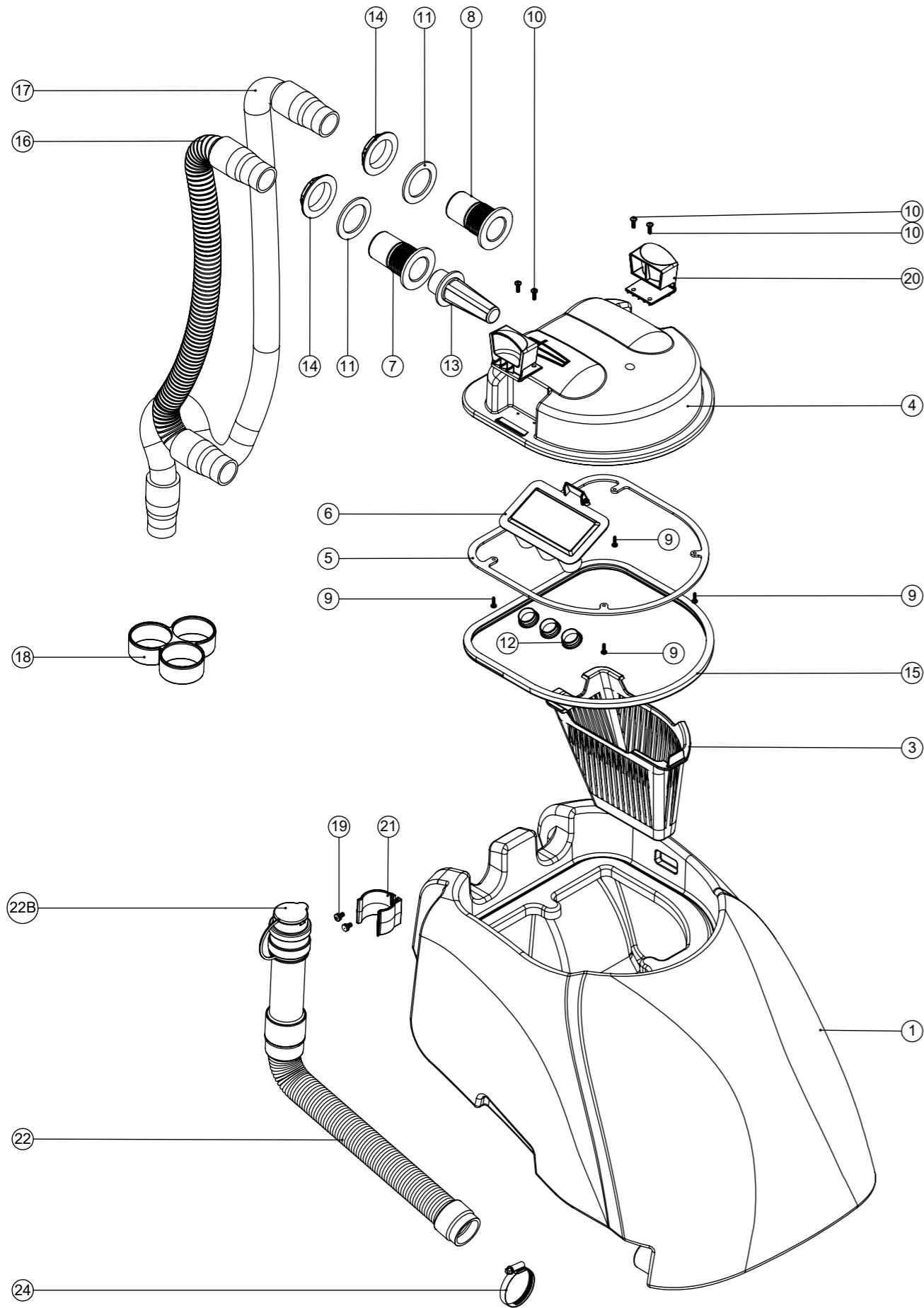
**Model No:** TT4045 (TT1117) & TT4055 (TT1120) HANDLE ASSEMBLY

ITEM:	PART No:	Description	Comments:	QTY:
1	229073	GEAR LOCKING PIN		1
2	229138	SPRING		1
3	219099	M6 HALF NUT		1
4	229099	25MM DIA HOLE PLUG		1
5	338269	CROSS TUBE		1
6	227576	FRONT INNER HALF MOULDING	FOR HT MODELS 237542	1
	229508	FLAME RETARDANT FRONT INNER HALF MOULDING	FLAME RETARDANT CSA SPEC	1
7	229509	REAR INNER HALF MOULDING	FOR HT MODELS 237543	1
	329484	MODIFIED REAR INNER HALF MOULDING (CSA SPEC)	FLAME RETARDANT CSA SPEC	1
8	303526	NUTSERVED RELAY MOUNTING BRACKET		1
9	229748	FRONT COVER MOULDING (MAINS & BATTERY)	FOR HT MODELS 907547	1
	229750	MAINS FRONT COVER MOULDING (C/B HOLE)	110V/50HZ MACHINES	1
	229751	MAINS FRONT COVER MOULDING (C/B HOLE)(FLAME RETARDANT)	120V/60HZ FLAME RETARDENT MACHINES	1
10	220812	230V NEON INDICATOR & RED LENS		1
	220813	120V NEON INDICATOR & RED LENS		1
11	227585	LEFT HAND SWITCH OPERATING LEVER MOULDING		1
12	227586	RIGHT HAND SWITCH OPERATING LEVER MOULDING		1
13	227587	CENTRE SWITCH OPERATING LEVER MOULDING		1
14	227580	HAND GRIP MOULDING	FOR HT MODELS 237544	2
15	219493	M6 NYLON WASHER		1
16	219088	M6 NYLON INSERT NUT		1
17	227676	REAR COVER	FOR HT MODELS 907550	1
	229507	MAINS TYPE FLAME RETARDANT REAR COVER MOULDING	FLAME RETARDANT CSA SPEC	1
18	229009	BLANKING PLUG		1
19	227584	INTERLOCK LEVER MOULDING		1
20	227582	HANDLE PLUG MOULDING		1
	903546	HANDLE PLUG MOULDING (RED)		1
21	227691	TERMINAL BLOCK		1
	229510	FLAME RETARDANT TERMINAL BLOCK	FLAME RETARDANT CSA SPEC	1
22	227680	TERMINAL BLOCK COVER		1
	229511	FLAME RETARDANT TERMINAL BLOCK COVER	FLAME RETARDANT CSA SPEC	1
23	206562	CONTACT PIN		2
24	206563	EARTH CONTACT PIN		1
25	219090	M4 X 8MM LONG POZI-PAN SEMS SCREW Z/PL		3
26	227678	SOCKET COVER	FOR HT MODELS 907551	1
	229512	FLAME RETARDANT INLET COVER	FLAME RETARDANT CSA SPEC	1
27	227008	BLACK CABLE CLAMP		2
28	20638V	19MM BLACK TUBE END STOP		1
29	216290	CABLE CLAMP 16A PLUGGED		1
30	206575	240V / 25A RELAY		1
	206576	100V-120V / 25A RELAY		1
31	229483	SNAP ACTION SWITCH		2
32	219805	4MM SPIREX		1
33	219107	NO6.5/8 INCH LG.POZI-PAN.SCREW.Z/PL.PLASTITE		1
34	219471	M4 X 12MM LONG POZI PAN SEMS SCREW		2
35	219803	TRIGGER COMPRESSION SPRING		2
36	219804	SWITCH COMPRESSION SPRING		1
37	219811	NO8 X 1 INCH LONG POZI-PAN SELF TAP SCREW		2
38	219206	M4 FORM A WASHER		2
39	219270	NO8 X 1/2 INCH LONG POZI PAN SELF TAP SCREW		2
40	219005	M5 FORM G WASHER		1
41	270146	MARQUARDT SWITCH DPST GREEN ILLUMINATED WITH MEMBRANE 120/250V		2
	904042	SWITCH DPST RED ILLUMINATED WITH MEMBRANE 120/240V		2
42	236012	20.0M X 1.50MM X 3 CORE NUCABLE (UK PLUG)		1
	236132	20M X 1.5MM X 3 CORE YELLOW CABLE X SOCKET (EURO PLUG)		1
	236020	20.0M X 1.5MM X 3 CORE NUCABLE (SWISS PLUG)		1
	236024	20.0M X 1.50MM X 3 CORE NUCABLE (SOUTH AFRICAN PLUG)		1
	236068	20.0MT X 1.5MM X 3 CORE CABLE (16A SOCKET + 10A PLUG) AUSTRALIAN		1
	236118	20.0M X 1.5MM X 3 CORE NUCABLE (16 AMP INDUSTRIAL PLUG)		1
	236028	20.0M X 14AWG X 3 CORE YELLOW NUCABLE (CSA PLUG)		1
43	227806	CABLE RELEASE BASE MOULDING		1
	903882	RED CABLE RELEASE BASE MOULDING		1
44	219644	M5 FORM G STAINLESS STEEL WASHER		3
45	219076	M5 NYLON INSERT NUT		1
46	227807	CABLE RELEASE TOP MOULDING		1
	903883	RED CABLE RELEASE TOP MOULDING		1
47	206599	SPRING (REF:C5514370)		1
48	219720	M5 X 30MM LONG STAINLESS STEEL POZI PAN SCREW		1
49	206500	RELAY BRACKET		1
50	220440	8 AMP OVERLOAD	120V/60HZ OLDER BLUE MODELS	1
	208550	15 AMP OVERLOAD	110V/50HZ & 120/60Hz MACHINES	1
51	219702	M10 INTERNAL LOCK WASHER	110V & 120V MACHINES	1
52	220459	OVERLOAD DUST COVER	110V & 120V MACHINES	1
53	219922	M8 X 50MM LONG SOCKET BUTTON HEAD STAINLESS STEEL BOLT		3
54	291125	M6 X 40 LONG HEX BOLT STAINLESS STEEL		2
55	219764	M6 STAINLESS STEEL DOME NUT		2
56	229461	440MM HANDLE LOCKING ROD		1
57	229500	TRIGGER MOULDING BLUE		2
	227581	TRIGGER MOULDING (GREY)		2
	903547	TRIGGER MOULDING (RED)		1
58	291131	M5 X 12MM LONG STAINLESS STEEL POZI PAN SEMS SCREW		3
59	219016	M5 SHAKEPROOF WASHER		1
60	219578	M8 FORM A STAINLESS STEEL WASHER		6
61	291128	M6 X 50 LONG HEX BOLT STAINLESS STEEL		2
62	392437	RETAINER SPACER		2
63	219642	M6 STAINLESS STEEL NYLON INSERT NUT		2
64	219355	M5 FORM A STAINLESS STEEL WASHER		1
65	900398	HANDLE CASTING MACHINED (HNS VERSION)		1
66	900397	MINI ADJUSTMENT GEAR		1
67	900396	ADJUSTMENT GEAR SPACER		2
68	219639	M8 STAINLESS STEEL NYLON INSERT NUT		3
69	903260	M8 BOLT AND NUT CAP		3
70	291150	NO6 X 1 INCH LONG POZI PAN SCREW S/S		1
71	219575	M5 X 25MM LONG POZI PAN STAINLESS STEEL SCREW		1
72	227583	ADJUSTMENT LEVER MOULDING		1
	903545	ADJUSTMENT LEVER MOULDING (RED)		1
73	903603	TGB/TTG 430MM PROCESSED ALI HANDLE PAINT SILVER		1
74	219743	CABLE CLEAT		1
75	902312	CABLE STRESS RELIEF		1
76	903192	SPIROL SPACER SP100 5MM NOM ID x 14MM		1
77	902353	M6 EXTERNAL SHAKEPROOF WASHER STAINLESS STEEL		6
78	219560	M6 FORM B STAINLESS STEEL WASHER		2
79	219370	NO8 X 5/8 INCH LONG PLASTITE STAINLESS STEEL SCREW		21
80	N/A	NO6.5/8 INCH LG.POZI-PAN.SCREW.STAINLESS STEEL.PLASTITE		7
81	237692	HANDLE CABLE COVER L/H	FOR HT MODELS 904907	1
82	237693	HANDLE CABLE COVER R/H	FOR HT MODELS 904908	1

# Numatic International Spare Parts

Model No: TT4045 (TT1117) & TT4055 (TT1120) TOP TANK ASSEMBLY

Internal Code: 244498  
DRAWING: DRW-16795 ISS:A14  
13/09/2021



# Numatic International Spare Parts

Model No: TT4045 (TT1117) & TT4055 (TT1120) TOP TANK ASSEMBLY

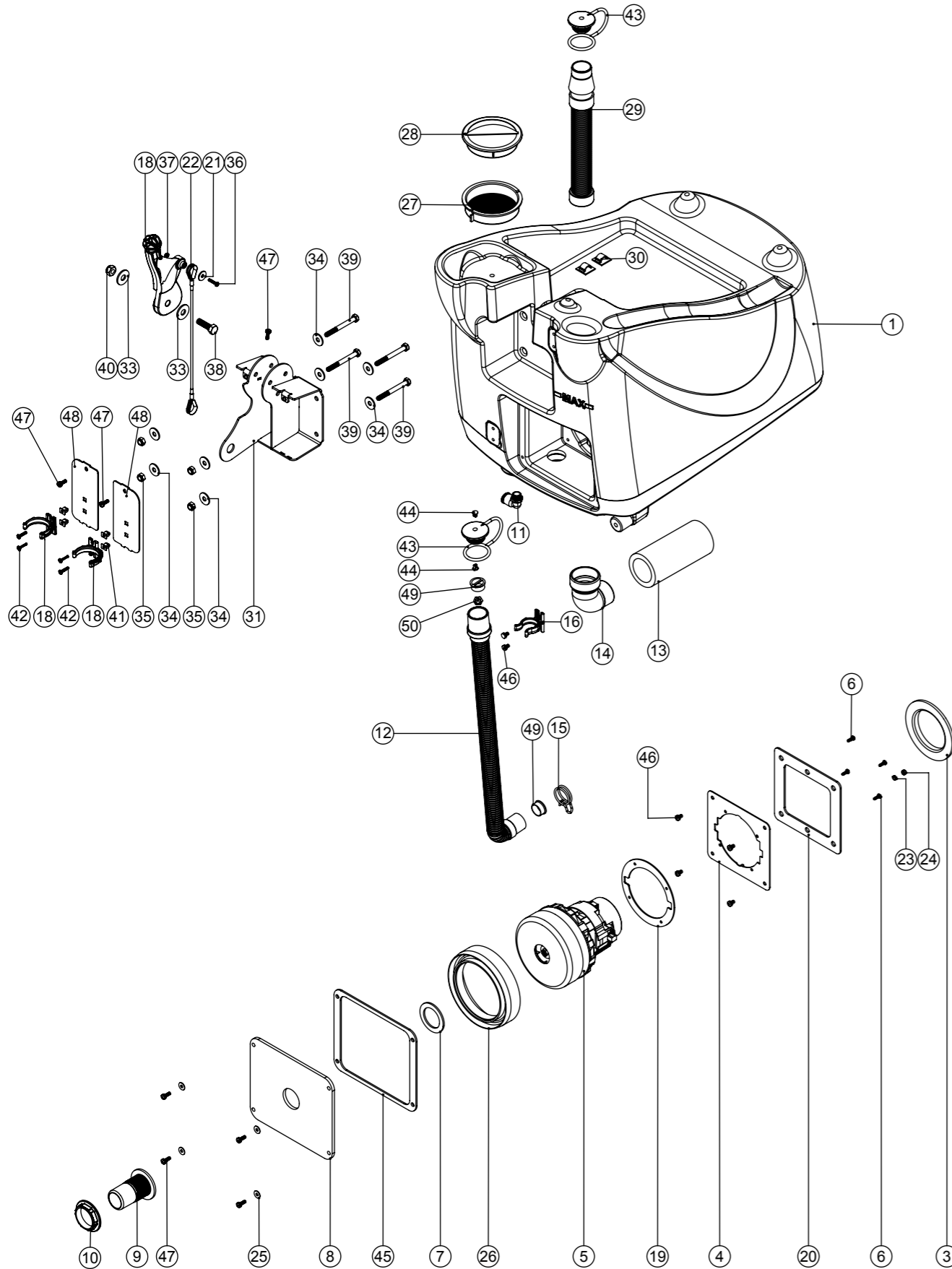
ITEM:	PART No:	DESCRIPTION	COMMENTS	QTY.
1	901780	TT.4055 TOP TANK MOULDING (GRAPHITE)		1
	237656	TT.4055 TOP TANK MOULDING (BLUE)		1
	237731	TT.4055 TOP TANK MOULDING (RED)		1
	237733	TT.4055 TOP TANK MOULDING (LIGHT YELLOW)		1
	237735	TT.4055 TOP TANK MOULDING (GREEN)		1
	907514	HT4045 TOP TANK MOULDING (BLACK)		1
3	906070	MESHLESS FILTER BASKET		1
4	237381	INTEGRATED CHASSIS SEPARATOR		1
5	392200	FILTER GASKET RING		1
6	237090	SEPARATOR FLOAT MOULDING (MK 2)		1
7	237526	38MM RED DRAIN HOSE CONNECTOR		1
8	237018	38MM DRAIN HOSE CONNECTOR		1
9	219852	NO6 X 1/2 LONG POZI PAN STAINLESS STEEL SELF TAP SCREW		4
10	219569	No8 X 1/2 INCH LONG POZI PAN STAINLESS STEEL PLASTITE SCREW		4
11	219310	RUBBER WASHER		2
12	206315	TUBE END PLUG		3
13	206265	TT/B 345 BARREL FILTER		1
14	206116	BLACK NUT		2
15	208591	NEW SEPARATOR GASKET		1
16	213058	VAC HOSE 650MM X Ø38MM		1
17	280019	35MM X 690MM LONG 3:1 STRETCH HOSE (SHORT & LONG CUFF)		1
18	237718	HOSE GUIDE		1
19	291135	M5 X 10MM LONG STAINLESS STEEL POZI PAN SEMS SCREW		2
20	902919	CLIP MOULDING (RED)		2
	229494	CLIP MOULDING (GREY)		2
21	237382	ACETAL HOSE CLIP MOULDING		1
22	901548	35MM X 250MM STRETCH HOSE (3:1) C/W ADJUSTABLE CUFF + CAP		1
22B	900903	HOSE CLOSURE REPLACEMENT KIT (35MM-38MM STRETCH HOSE)	SPARE PART	1
24	219919	32MM-50MM STAINLESS STEEL HOSE CLIP		1

# Numatic International Spare Parts

**Model No:** TT4045 (TT1117) & TTB4055 (TT1120) BOTTOM TANK / VAC MOTOR ASSEMBLY

Internal Code: 244497  
DRAWING: DRW-16829 ISS:A19  
02/03/2017

NB: FOR WIRING SEE DRAWING: DRW-18548, DRW-17307, DRW-17309, DRW-18468  
NOTE: HT MODELS USE HFM STYLE MOTOR 230V50Hz DRW-21894 115V50Hz DRW-21891



# Numatic International Spare Parts

**Model No:** TT4045 (TT1117) & TTB4055 (TT1120) BOTTOM TANK / VAC MOTOR ASSEMBLY

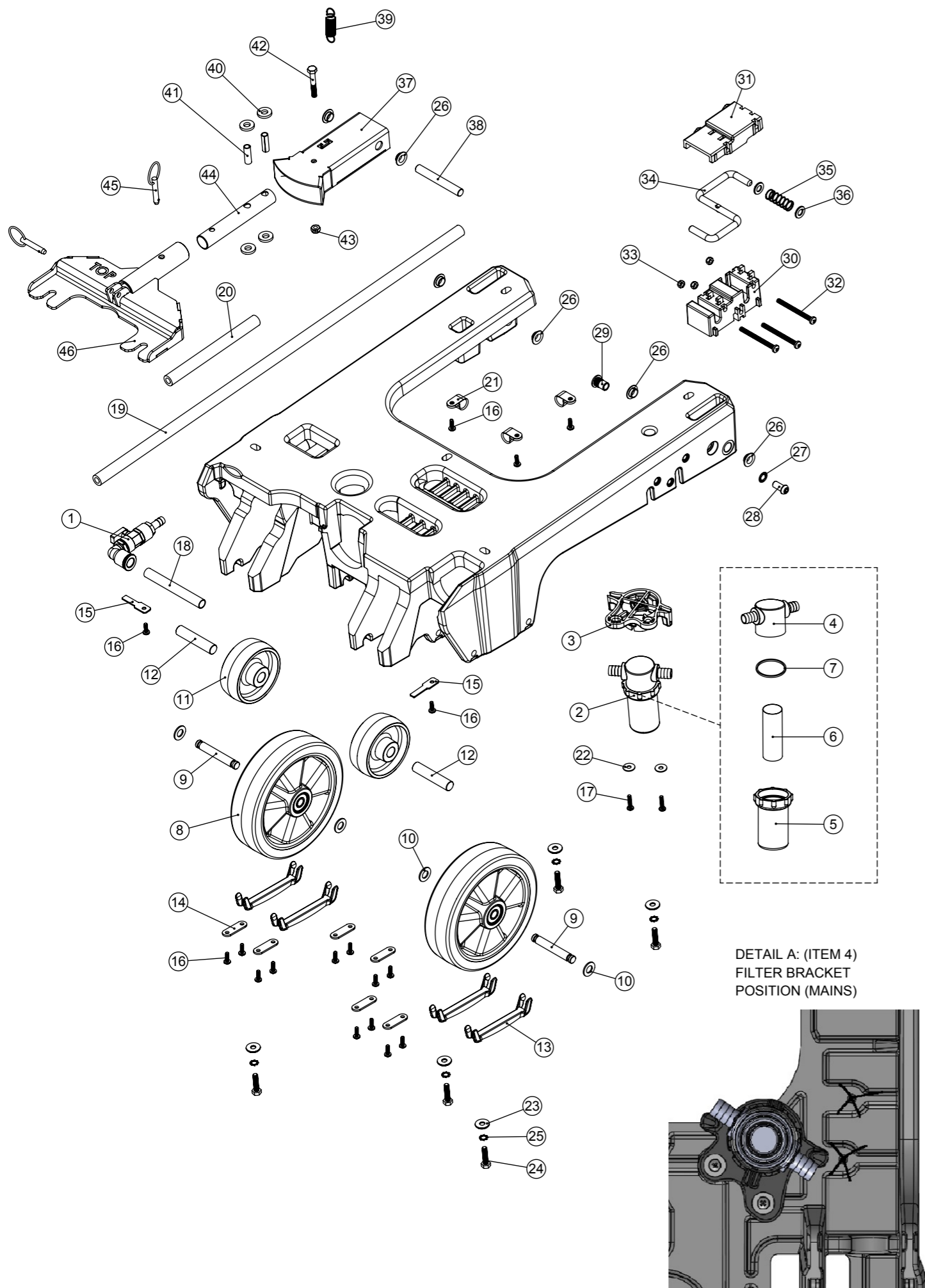
ITEM:	PART No:	Description	Comments:	QTY.
1	237657	TT.4055 BOTTOM TANK MOULDING (GRAPHITE)		1
	237689	TT.4055 BOTTOM TANK MOULDING (GRAPHITE) EP		1
	907515	HT4045 BOTTOM TANK MOULDING (RED)		1
3	202008	MOTOR CAP GASKET		1
4	304417	MAINS MOTOR MOUNT WELD ASSEMBLY		1
5	205443	230V 2 STAGE D.I BYPASS ACUSTEK MOTOR (BL21104T) (MARKED 230V) TCO		1
	321935	120V VAC MOTOR ASSEMBLY C/W 170MM LONG MOTOR LEAD	110V/50Hz & 120V/60Hz NACE 8A OVERLOAD, OLDER BLUE MACHINES	1
	905736	120V 800W VAC MOTOR ASSEMBLY C/W 170MM LONG MOTOR LEAD	120V 60Hz 800W VAC, NACE, 15A OVERLOAD, GREY MACHINES	1
6	219569	NO8.1/2 INCH. LG.POZI-PAN.SCREW.STAINLESS STEEL.PLASTITE		4
7	219310	RUBBER WASHER		1
8	392441	TT4045/55 VAC MOTOR BACK PLATE		1
9	237526	38MM RED DRAIN HOSE CONNECTOR		1
10	206116	BLACK NUT		1
11	901539	ELBOW ANGLE CONNECTOR 3/8 PARALLEL THREAD C/W O-RING TO 12MM PUSH IN		1
12	213025	DUMP HOSE		1
13	208956	SILENCER FOAM TUBE 150MM		1
14	208583	DIP MOULDED ELBOW (MAINS VERSION)		1
15	902133	SPRING WIRE CLAMP (YDNAC-Y8010356)		1
16	901916	28mm HOSE CLIP		1
18	237754	35-38MM HOSE CLIP		2
18	237691	SQUEEGEE LIFT HANDLE		1
	902324	RED SQUEEGEE LIFT HANDLE		1
19	208801	TT MOTOR GASKET		1
20	208799	TT MOTOR PLATE GASKET		1
21	291118	M5 STAINLESS STEEL WASHER 19MM OD		1
22	208962	TT LIFTING WIRE		1
23	219721	M5 STAINLESS STEEL FULL NUT		1
24	219633	M5 STAINLESS STEEL NYLON INSERT NUT		1
25	219644	M5 FORM G STAINLESS STEEL WASHER		4
26	202069	BOTTOM MOTOR GASKET		1
27	207128	CLEAN TANK INLET FILTER		1
	903543	CLEAN TANK INLET FILTER (RED)		1
28	237268	FILLER CAP LID		1
	903544	FILLER CAP LID (RED)		1
29	208960	TTB/TT FILLING HOSE		1
30	220403	CABLE CLIP		2
31	404216	HANDLE MOUNT WELD ASSEMBLY - Z/PL		1
32	219558	M5 STAINLESS STEEL NUTSERT		3
33	291124	M10 PENNY WASHER STAINLESS STEEL		2
34	219716	M8 FORM G STAINLESS STEEL WASHER		8
35	219639	M8 STAINLESS STEEL NYLON INSERT NUT		4
36	219686	M4 X 20MM LONG STAINLESS STEEL POZI PAN MACHINE SCREW		1
37	219687	M4 STAINLESS STEEL NYLON INSERT NUT		1
38	219895	M10 X 35MM LONG HEXAGONAL STAINLESS STEEL SCREW		1
39	291123	M8 X 75 LONG HEX HEAD BOLT STAINLESS STEEL		4
40	219897	M10 STAINLESS STEEL NYLON INSERT NUT		1
41	900986	NYLON GROMMET NUT (PLASTIC INSERT TO SUIT No 8 PLASTITE SCREW)		4
42	219568	NO8.3/4 INCH LG.POZI-PAN.SCREW.STAINLESS STEEL.PLASTITE		4
43	903341	32MM HOSE CAP RED (C/W 8MM HOLE)		2
44	904403	BARBED RIVET BLACK		2
45	902275	VAC PLATE GASKET		1
46	291135	M5 X 10MM LONG STAINLESS STEEL POZI PAN SEMS SCREW		6
47	291132	M5 X 16MM LONG STAINLESS STEEL POZI PAN SEMS SCREW		7
48	903539	HANDLE MOUNT COVER PAINTED SILVER		2
49	904108	FLOAT STOP MOULDING		2
50	904109	FLOAT MOULDING		1

# Numatic International Spare Parts

Model No: TT4045G & TT4055G CHASSIS ASSEMBLY EXPLODED VIEW

Internal Code: 904402

PRO DRAWING: DRW-23621 ISS:A05  
10/03/2019



# Numatic International Spare Parts

Model No: TT4045G & TT4055G CHASSIS ASSEMBLY EXPLODED VIEW

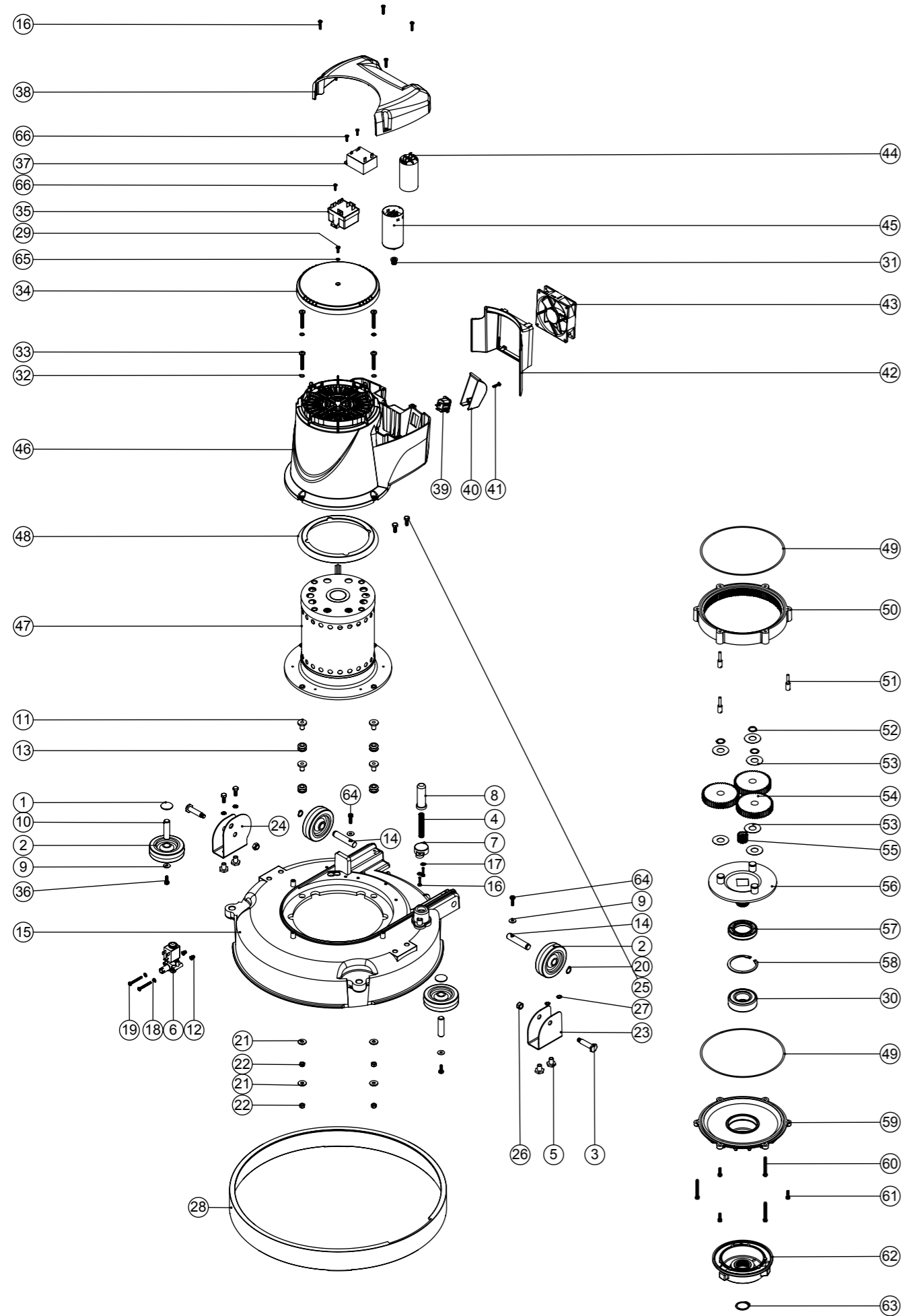
ITEM:	PART No:	DESCRIPTION	COMMENTS:	QTY
	904902	PLASTIC CHASSIS (BLACK)		
1	901543	12MM SWIVEL ELBOW PUSH FIT TO 10MM HOSE TAIL BALL VALVE ASSEMBLY		1
2	208888	EXTENDED STRAINER		1
3	901006	FILTER MOUNTING BRACKET	DETAIL A	1
4	208827	STRAINER BLACK TOP	PART OF ITEM 3 (208888)	1
5	208890	68MM EXTENDED STRAINER CLEAR BOWL	PART OF ITEM 3 (208888)	1
6	208889	EXTENDED STRAINER 50 MESH SCREEN	PART OF ITEM 3 (208888)	1
7	208830	STRAINER GASKET	PART OF ITEM 3 (208888)	1
8	208638	160mm WHEEL WITH POLYURETHENE TYRE		2
9	903577	AXLE BAR ST/ST 10MM DIA. 68MM LONG		2
10	219903	M10 FORM A STAINLESS STEEL WASHER		4
11	206713	80MM DIAMETER WHITE WHEEL		2
12	903576	AXLE BAR ST/ST 12.7MM DIA. 60MM LONG		2
13	903597	AXLE CLIP		4
14	903596	AXLE PLATE		6
15	903594	TAP PLATE		2
16	219569	NO8. 1/2 INCH. LG.POZI-PAN.SCREW.STAINLESS STEEL.PLASTITE		17
17	219568	NO8.3/4 INCH LG.POZI-PAN.SCREW.STAINLESS STEEL.PLASTITE		2
18	903573	NYLON TUBE 12MM OD X 10MM ID (96MM +/-1.0)		1
19	903580	SILICON TUBE 640MM LONG X 8MM I/D X 14.4MM OD		1
20	903581	SILICON TUBE 155MM LONG X 8MM I/D X 14.4MM OD		1
21	219465	P-CLIP		3
22	219644	M5 FORM G STAINLESS STEEL WASHER		2
23	219647	M6 FORM G STAINLESS STEEL WASHER		5
24	219925	M6 x 25MM LONG STAINLESS STEEL HEX SCREW		5
25	902353	M6 EXTERNAL SHAKEPROOF WASHER STAINLESS STEEL		5
26	208312	IGUS BEARING (GFM 101205)		6
27	902520	M8 INTERNAL WASHER SHAKEPROOF STAINLESS STEEL		1
28	903566	M8X16MM LONG STAINLESS STEEL SOCKET BUTTON HEAD BOLT		1
29	903565	M8 STAINLESS STEEL HEADED NUTSERT		1
30	901280	LATCH BLOCK BOTTOM MOULDING		1
31	901279	LATCH BLOCK TOP MOULDING		1
32	901558	M5 X 60MM STAINLESS STEEL POZI PAN MACHINE SCREW		3
33	219633	M5 STAINLESS STEEL NYLON INSERT NUT		3
34	904440	DECK LATCH BAR		1
35	208578	DECK LOCK SPRING		1
36	219578	M8 FORM A STAINLESS STEEL WASHER		2
37	304359	TT/TTB/4045/4055 SQUEEGEE MOUNT WELD ASSEMBLY		1
38	903575	AXLE BAR ST/ST 10MM DIA. 75MM LONG		1
39	208619	FLOOR TOOL SPRING		1
40	206964	SLIDE NYLON SPACER		4
41	206954	SPIRO SPACER		2
42	291125	M6 X 40 LONG HEX BOLT STAINLESS STEEL		1
43	219642	M6 STAINLESS STEEL NYLON INSERT NUT		1
44	304356	FLOOR TOOL PIVOT TUBE		1
45	206953	DETENT PINS		2
46	304466	FLOOR TOOL BRACKET ASSEMBLY (TT/TTB4045/4055)		1
47	903589	TT/B PLASTIC CHASSIS		1

# Numatic International Spare Parts

**Model No:** 450MM MAINS DECK ASSEMBLY EXPLODED DRAWING

234956  
DRAWING: DRW-13427 ISS:A21  
02/03/2017

NB: FOR WIRING SEE DRAWING: DRW-18548, DRW-17307, DRW-17309, DRW-18468, DRW-11855, DRW-12474, DRW-12545



# Numatic International Spare Parts

**Model No:** 450MM MAINS DECK ASSEMBLY EXPLODED DRAWING

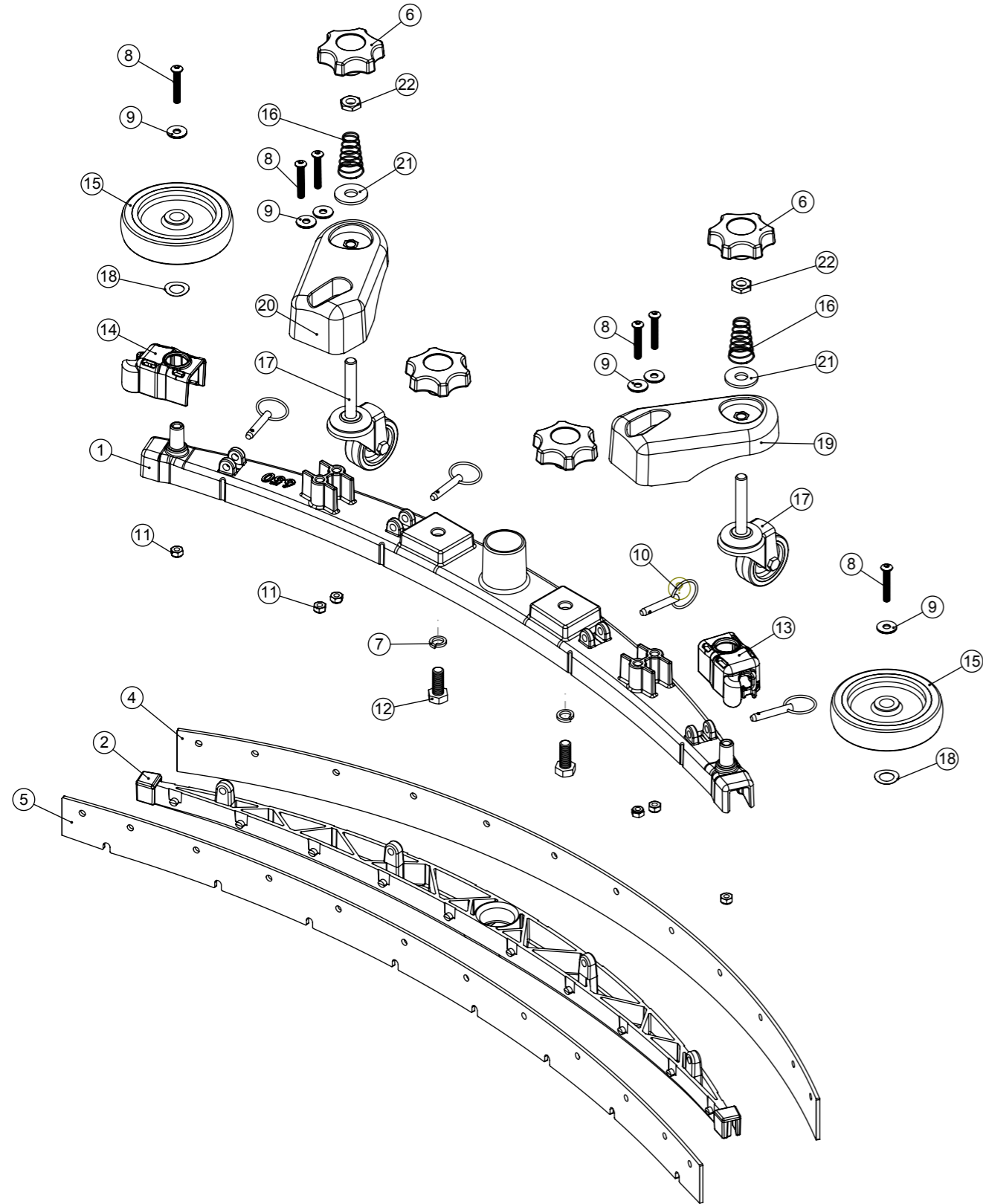
ITEM:	PART No:	Description	Comments	QTY.
1	204021	12.7MM STAINLESS STEEL HUB CAP		2
2	204068	3 INCH GREY WHEEL		4
3	206236	PIVOT PIN		2
4	219394	COMPRESSION SPRING		1
5	219606	BRACKET SPACER		4
6	220348	SOLENOID VALVE 240V 50/60HZ		1
	220349	SOLENOID VALVE 220V60HZ		1
	220350	SOLENOID VALVE 110V 50/60HZ		1
7	223242	PLUNGER MOUNTING PLATE MOULDING		1
8	229128	PLUNGER		1
9	219644	M5 FORM G STAINLESS STEEL WASHER		4
10	206013	BUFFER WHEEL PIN		2
11	208011	MOTOR MOUNTING SPACER		4
12	219009	M4 BRASS TAPPEX INSERT		2
13	229025	STANDARD GROMMET		4
14	229382	REAR WHEEL PIN		2
15	229258	TT 345 GRAPHITE BASE MOULDING		1
16	219568	NO8.3/4 INCH LG.POZI-PAN.SCREW.STAINLESS STEEL.PLASTITE		6
17	219355	M5 FORM A STAINLESS STEEL WASHER		2
18	219688	M4 FORM A STAINLESS STEEL WASHER		2
19	219703	M4 X 35MM LONG STAINLESS STEEL POZI PAN SCREW		2
20	219345	12MM EXTERNAL CIRCLIP		2
21	219647	M6 FORM G STAINLESS STEEL WASHER		4
22	219642	M6 STAINLESS STEEL NYLON INSERT NUT		4
23	392249	DECK MOUNT RH		1
24	392248	DECK MOUNT BRACKET		1
25	219719	M6 X 16MM LONG HEXAGONAL STAINLESS STEEL HEAD BOLT		4
26	219639	M8 STAINLESS STEEL NYLON INSERT NUT		2
27	902353	M6 EXTERNAL SHAKEPROOF WASHER STAINLESS STEEL		4
28	229644	450MM DIAMETER SPLASH SKIRT MOULDING		1
29	219890	M4 X 12MM LONG POZI PAN STAINLESS STEEL SCREW		1
30	230094	62MM O/D X 30MM I/D X 20MM BEARING (WITH SEALS)		1
31	219453	M8 MULTISERT		1
32	291060	M6 SHAKEPROOF STAINLESS STEEL WASHER		4
33	219982	M6 X 40MM LONG POZI PAN STAINLESS STEEL SCREW		4
34	229971	CAP MOULDING		1
35	206823	230V SINGLE SPEED VOLTAGE RELAY		1
	206822	110V/120V VOLTAGE RELAY		1
	208416	120V RELAY	NACE MACHINES ONLY	1
36	291132	M5 X 16MM LONG STAINLESS STEEL POZI PAN SEMS SCREW		2
37	206753	UNIVERSAL POWER SUPPLY		1
38	237071	NPR / TT GRAPHITE LID MOULDING		1
39	220584	RENDAR CLIP IN PLUG		1
40	229213	PLUG COVER		1
41	219914	NO6 X 5/8 INCH LONG POZI-PAN PLASTITE STAINLESS STEEL SCREW		1
42	229972	FAN GUARD MOULDING		1
43	205072	PROCESSED 12V DC BRUSHLESS FAN		1
44	220876	20 MFD MOTOR RUN CAPACITOR (450V)	220V & 230V MACHINES	1
	208211	80uF MOTOR RUN CAPACITOR	120V MACHINES	1
	208219	70uF RUN CAPACITOR	110V MACHINES	1
45	208265	MOTOR START CAPACITOR 98 MFD	220V & 230V MACHINES	1
	208210	MOTOR START CAPACITOR 480 MFD C/W RESISTOR & M8 STUD	110V & 120V MACHINES	1
46	328132	GRAPHITE MOTOR COWL MOULDING PRINTED	PRINTED NUMATIC	1
	330008	TWINTEC MAINS MOTOR COWL MOULDING (GRAPHITE) (NO LOGO)	NO PRINT	1
47	205217	COMBINED INDUCTION MOTOR 4POLE 220-240V 50Hz		1
	205219	COMBINED INDUCTION MOTOR 4POLE 220V 60Hz		1
	205220	COMBINED INDUCTION MOTOR 4POLE 120V 60Hz		1
	205221	COMBINED INDUCTION MOTOR 4POLE 110V 50Hz		1
48	227556	TOP MOTOR GASKET		1
49	230001	V OIL SEAL		2
50	214115	GEAR BOX MID SECTION		1
51	208207	GEARBOX FASTENER WITH SLOT		3
52	230015	15MM EXTERNAL CIRCLIP		3
53	230215	35MM X 15 I/D ALUMINIUM WASHER		6
54	230013	48 TOOTH SPUR GEAR(STANDARD SPEED 50/60HZ)		3
55	230027	12 TOOTH PINION GEAR (STANDARD SPEED)		1
56	230291	PLANET CARRIER & PIN ASSEMBLY (50HZ STANDARD SPEED)		1
57	230158	VITON OIL SEAL (BROWN)		1
58	230200	62MM INTERNAL CIRCLIP		1
59	230208	DIE CAST BOTTOM PLATE ASSY	INCLUDE: 57, 58, 30	1
60	219706	M5 X 45MM LONG STAINLESS STEEL HEXAGONAL BOLT		3
61	219904	M5 X16MM LONG HEXAGONAL STAINLESS STEEL BOLT		3
62	230207	DIE CAST CHUCK MACHINED		1
63	230048	26MM EXTERNAL CIRCLIP		1
64	291133	M5 X 20MM LONG STAINLESS STEEL POZI PAN SEMS SCREW		2
65	291145	M4 SHAKEPROOF WASHER STAINLESS STEEL		1
66	291061	No6 X 1/2 INCH LONG POZI PAN PLASTITE SCREW (STAINLESS STEEL)		3

# Numatic International Spare Parts

**Model No:** 650 TWINTEC ALUMINIUM FLOOR TOOL (38MM HOSE, RED TRIM, SERILOR BLADES)

Internal Code: 903347  
 DRAWING: DRW-22621 ISS:A09  
 PRO 27/03/2018

NB: FOR WIRING SEE DRAWING: N/A



# Numatic International Spare Parts

**Model No:** 650 TWINTEC ALUMINIUM FLOOR TOOL (38MM HOSE, RED TRIM, SERILOR BLADES)

ITEM:	PART No:	Description	Qty
1	208198	(650MM SCRUB WIDTH) ALUMINIUM SQUEEGEE CASTING (38MM HOSE FITTING)	1
2	903345	(650MM SCRUB WIDTH) RED BLADE HOLDER MOULDING (SLOPING PROFILE) (32MM & 38MM HOSE FITTING)	1
	900518	650 REPLACEMENT SERILOR GREEN POLYURETHANE BLADES SET	
4	208970	(650MM SCRUB WIDTH) REPLACEMENT (4.0MM / 35-45-35 SHORE A) REAR LAMINATED SERILOR POLY/BLADE (847MM LONG)	1
5	208967	(650MM SCRUB WIDTH) REPLACEMENT (3.2MM / 40 SHORE A) FRONT MONOLAYER SERILOR POLY/BLADE (819MM LONG)	1
6	903281	M10 LOBE KNOB (RED)	4
7	219899	M10 SINGLE COIL STAINLESS STEEL WASHER	2
8	219933	M6 X 35MM SOCKET BUTTON HEAD BOLT STAINLESS STEEL	6
9	219647	M6 FORM G STAINLESS STEEL WASHER	6
10	206953	DETENT PINS	4
11	219642	M6 STAINLESS STEEL NYLON INSERT NUT	6
12	219909	M10 X 25MM LONG HEXAGONAL STAINLESS STEEL SCREW	2
13	237322	RIGHT HAND FLOOR TOOL CLIP MOULDING	1
14	237323	LEFT HAND FLOOR TOOL CLIP MOULDING	1
15	208796	4 INCH WHEEL	2
16	229175	CONICAL SPRING	2
17	907759	50MM DIAMETER GREY TPR TYRED SWIVEL CASTOR C/W M10 X 60 SWAGED STEM.	2
18	219891	13MM WAVEY WASHER	2
19	906860	ADJUSTABLE FLOOR TOOL CASTOR PLASTIC PLATE LEFT	1
20	906859	ADJUSTABLE FLOOR TOOL CASTOR PLASTIC PLATE RIGHT	1
21	291124	M10 PENNY WASHER STAINLESS STEEL	2
22	219951	A4 (STAINLESS STEEL) M10 HEX LOCK NUT (HALF NUT)	2