

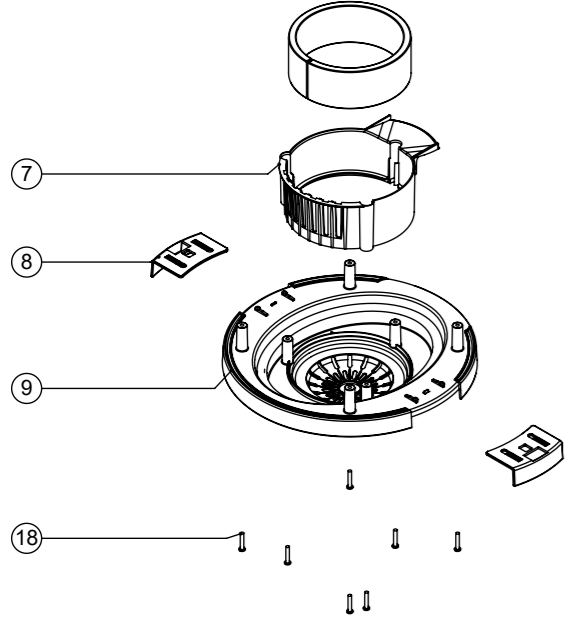
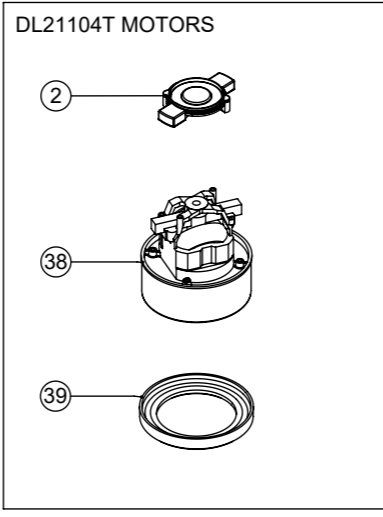
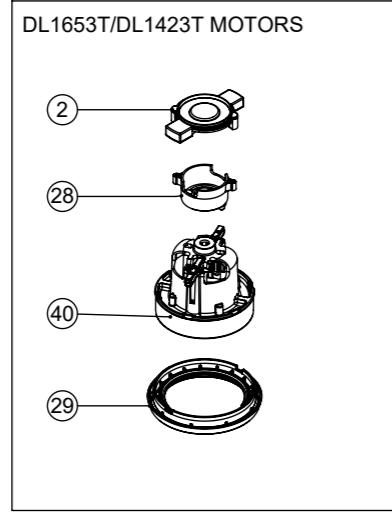
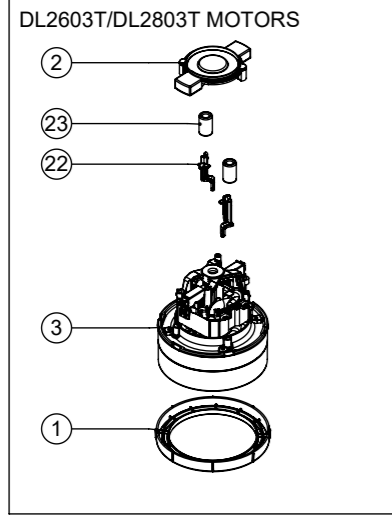
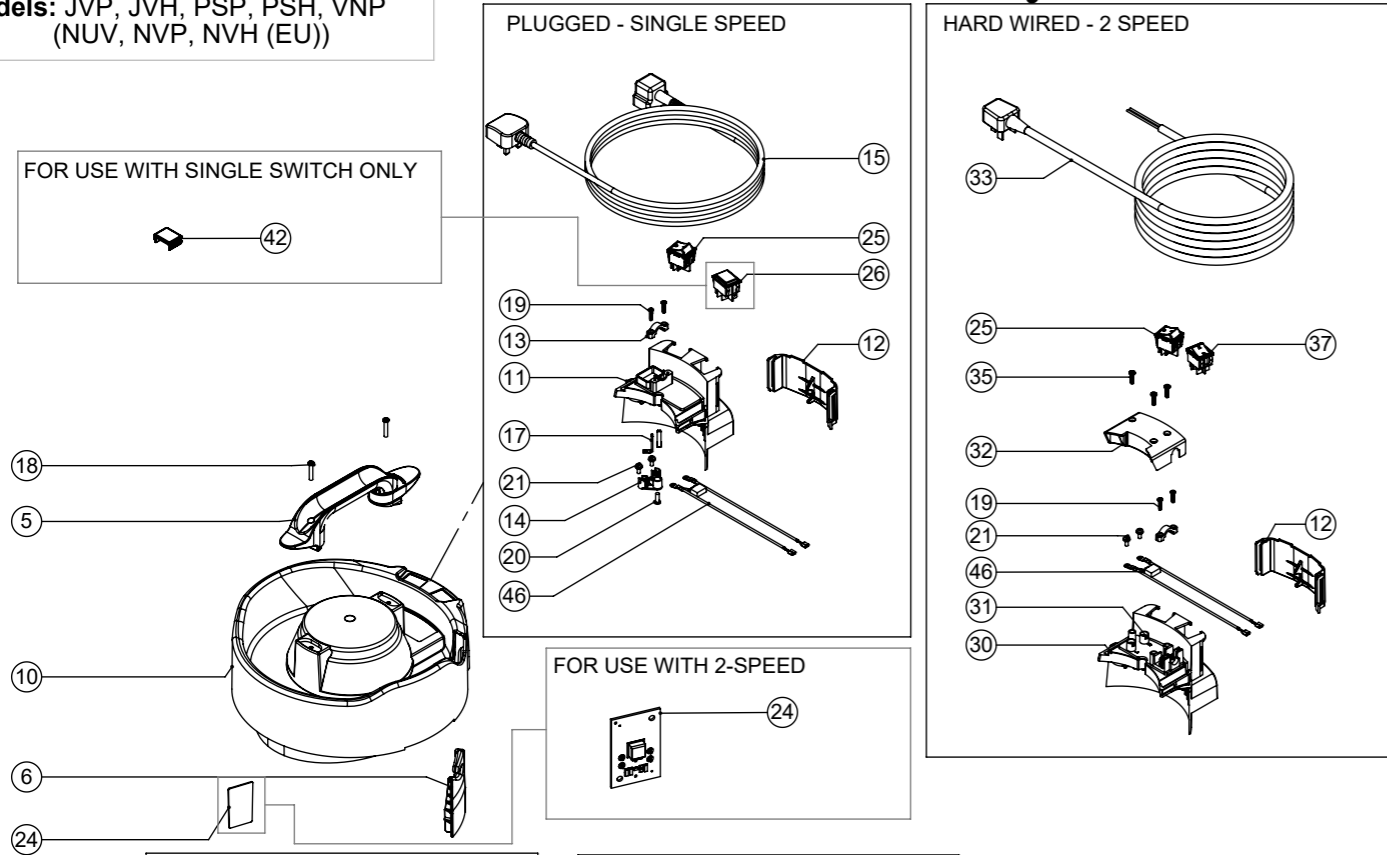
Numatic International Spare Parts

Model No: HEAD STYLE 4 ASSEMBLY 1/2 STAGE 1/2-SPEED EXPLODED

Models: JVP, JVH, PSP, PSH, VNP
(NUV, NVP, NVH (EU))

911660
DRAWING: DRW-16814 ISS:A22
05/11/201

9



Numatic International Spare Parts

Model No: HEAD STYLE 4 ASSEMBLY 1/2 STAGE 1/2-SPEED EXPLODED

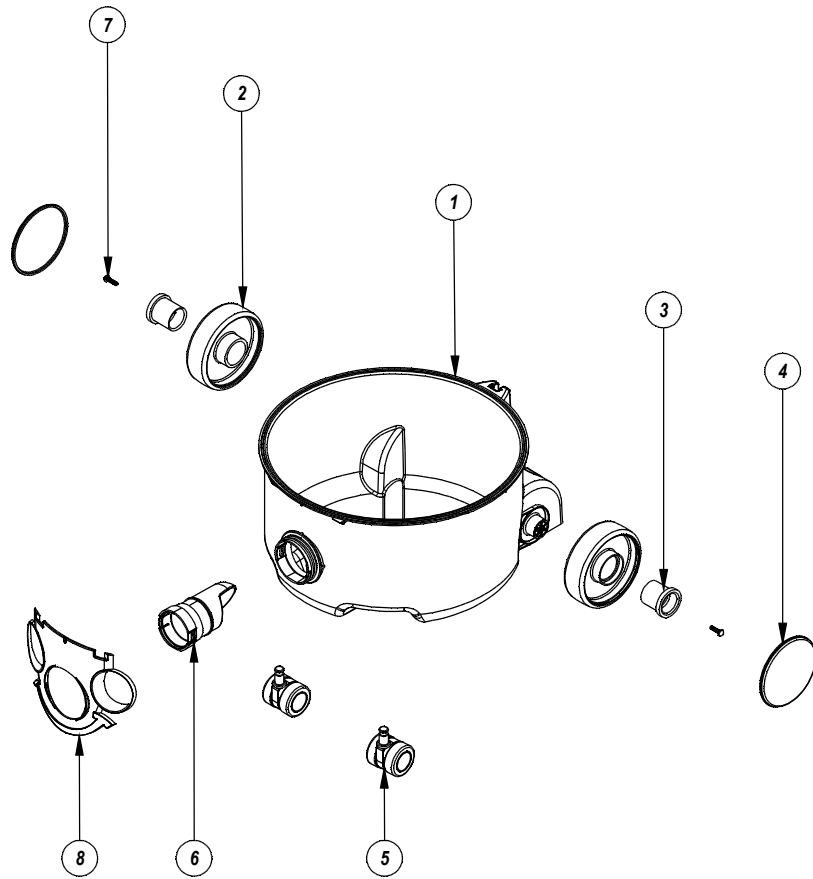
ITEM:	PART No:	Description	QTY.	Comments
1	237675	MOTOR GASKET 2 STAGE ECO	1	
2	229614	MOTOR PLATE BI -MATERIAL	1	
3	205740	230V 2 STAGE 600W ECO THRO FLOW FAN MOTOR (DL2603T) TCO	1	
	205640	230V 2 STAGE 600W ECO THRO FLOW FAN MOTOR (DL2803T) TCO		
5	906074	CABLE MANAGEMENT HANDLE	1	
6	237079	CABLE EXIT NPV/NHV	1	
7	229621	AIR GUIDE	1	
8	237115	NRV HARD EDGE TOGGLE	2	
9	908879	NRV BOTTOM MOTOR HOUSING	1	
10	-	TOP MOTOR HOUSING (HEAD STYLE 4) 2 SWITCH - INC. PCB	1	CONTACT NUMATIC FOR MORE DETAILS
11	237076	SWITCH HOUSING PLUGGED	1	
12	229623	SWITCH COVER	1	
13	227564	CABLE CLAMP 10A PLUGGED V83 ONLY	1	
14	325912	NPV / NHV TERMINAL BLOCK PLUS INSERTS	1	
15	236009	10.0M X 1.00MM X 2 CORE NUCABLE (UK PLUG)	1	CONTACT NUMATIC FOR MORE DETAILS
	236013	10.0MT X 1MM X 2 CORE CABLE (SOCKET + PLUG) EURO		
17	206562	CONTACT PIN	2	
18	291082	#8 SCREW 1"L T20 PAN HEAD P/L THREAD FORMING	9	
19	219107	NO6.5/8 INCH LG.POZI-PAN.SCREW.Z/PL.PLASTITE	2	
20	291152	NO8.1/2 INCH LG.T20.SCREW.Z/PL.PLASTITE	1	
21	291151	M4 X 10MM LONG T20 SEMS SCREW Z/PL - PRODUCT CODE 8.8 - TX20 HEAD	2	
22	208955	CLIP RETAINER FERRITE BEAD (DL2 MOTOR)	2	
23	230097	AXIAL FERRITE BEAD 17.5 X 9.5 X 28.5 (REF 742 700 9)	2	
24	208951	PCB BLANKING PLATE	1	
25	230253	EVEREL ROCKER SWITCH	1	
26	208885	NEON INDICATOR (EVEREL, B71121G000000)	1	
27	227957	BLANKING PLATE	1	
28	237480	ADAPTOR MOTOR (DL1 603T)	1	
29	237089	BOTTOM MOTOR GASKET - CUP MOTOR	1	
30	237077	SWITCH HOUSING HARD-WIRED	1	
31	219009	M4 BRASS TAPPEX INSERT	2	
32	237080	NHV HARDWIRED SWITCH HOUSING COVER (BLACK)	1	
33	236033	10.0M X 1.00MM X 2 CORE CABLE (UK PLUG)	1	CONTACT NUMATIC FOR MORE DETAILS
	236034	10.0MT X 1.0MM X 2 CORE EURO PLUG		
35	219105	No8 X 5/8 INCH LONG POZI PAN PLASTITE SCREW	3	
36	237082	BLANKING PLUG - ROCKER SWITCH	1	
37	220243	GREEN ROCKER SWITCH (BLACK PRINT) HI LO	1	
38	205403	230V 2 STAGE THRO FLOW TAPER FAN MOTOR (DL21104T) TCO	1	
39	227882	TWO STAGE BOTTOM MOTOR GASKET (AMETEK MOTOR)	1	
40	205840	230V SINGLE STAGE THRO FLOW FAN MOTOR (DL1 653T) TCO (620)	1	
	901792	230V SINGLE STAGE THRO FLOW FAN MOTOR (DL1 423T) TCO (420)		
42	237082	ROCKER SWITCH BLANKING PLATE	1	
44	203020	NVQ/NQS POD SIDE FELT (LAMB MOTOR)	1	
45	324064	NUMATIC 2 SPEED CONTROL PCB (230V) RED BOARD DRILLED 4MM	1	
46	230170	SUPPRESSOR WIRE ASSY NPV/NHV	1	

236029 10M X 1MM X 2 CORE CABLE AND PLUG ASSY (AUS)

Numatic International Spare Parts

Model No: DRUM STYLE 21 EXPLODED DRAWING

Internal Code: N/A
 PRO DRAWING: DRW-23951 ISS:A02
 18/10/2017



Numatic International Spare Parts

Model No: DRUM STYLE 21 EXPLODED DRAWING

POS.	ITEM NO.	DESCRIPTION	QTY.	COMMENTS
1	908480	DRUM STYLE 21 - MOULDING	1	CONTACT NUMATIC FOR DETAILS
2	227640	2 SHOT WHEEL ASSEMBLY	2	
3	227868	WHEEL HUB FOR 2 SHOT WHEEL	2	
4	229578	WHEEL TRIM	2	CONTACT NUMATIC FOR DETAILS
5	204000	40MM PU-TYRED BLACK TWIN WHEEL CASTOR	2	
6	237119	FRONT FIT BAG CONNECTOR	1	
7	219105	No8 X 5/8 INCH LONG POZI PAN PLASTITE SCREW	2	
8	326494	PARALLEL SNAP FIT FACE PRINTED	1	CONTACT NUMATIC FOR DETAILS