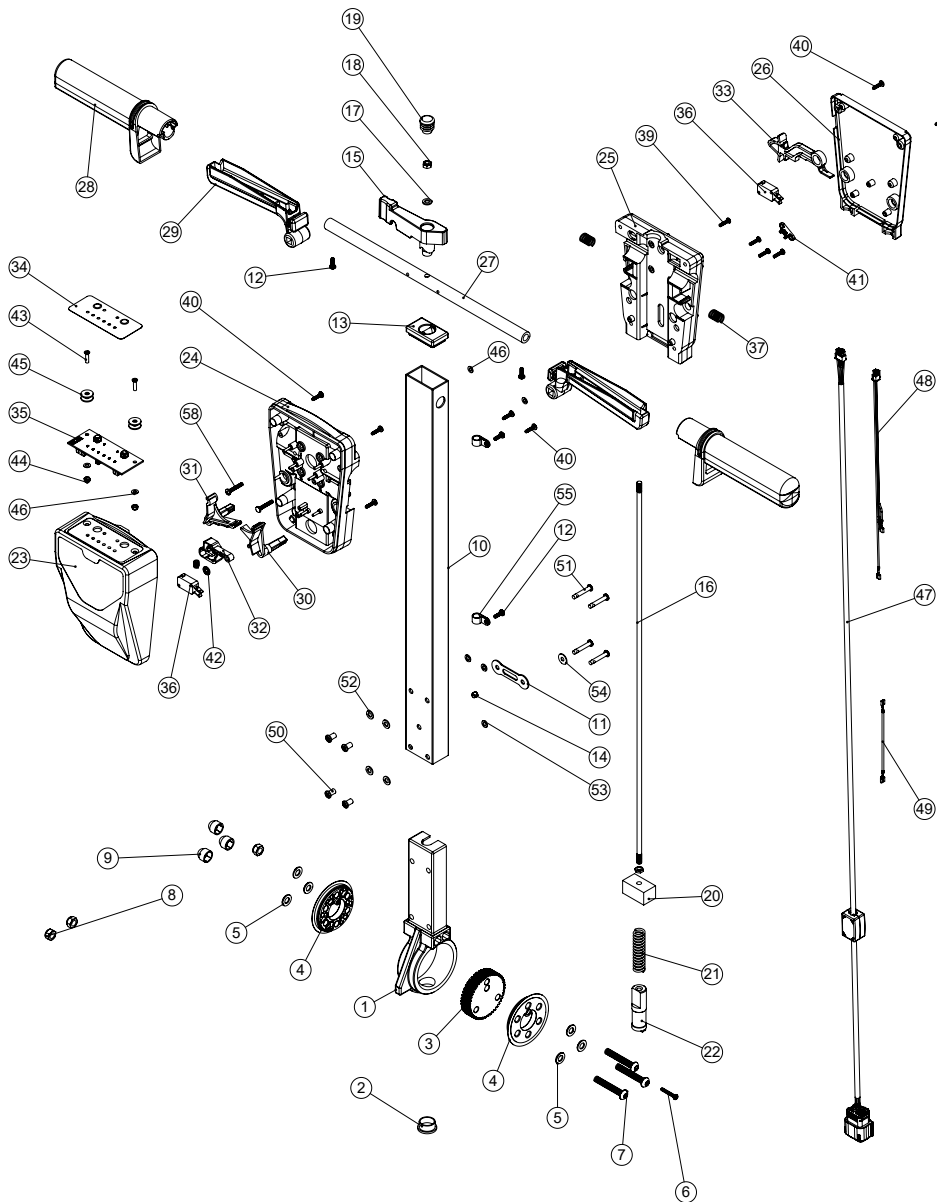


Numatic International Spare Parts

Model No: TTB1840 36V HANDLE ASSEMBLY - EXPLODED

NB: FOR WIRING SEE DRAWING: DRW-32476 (911781)

911565
DRAWING: DRW-32358 ISS:A08
18/08/2020



Numatic International Spare Parts

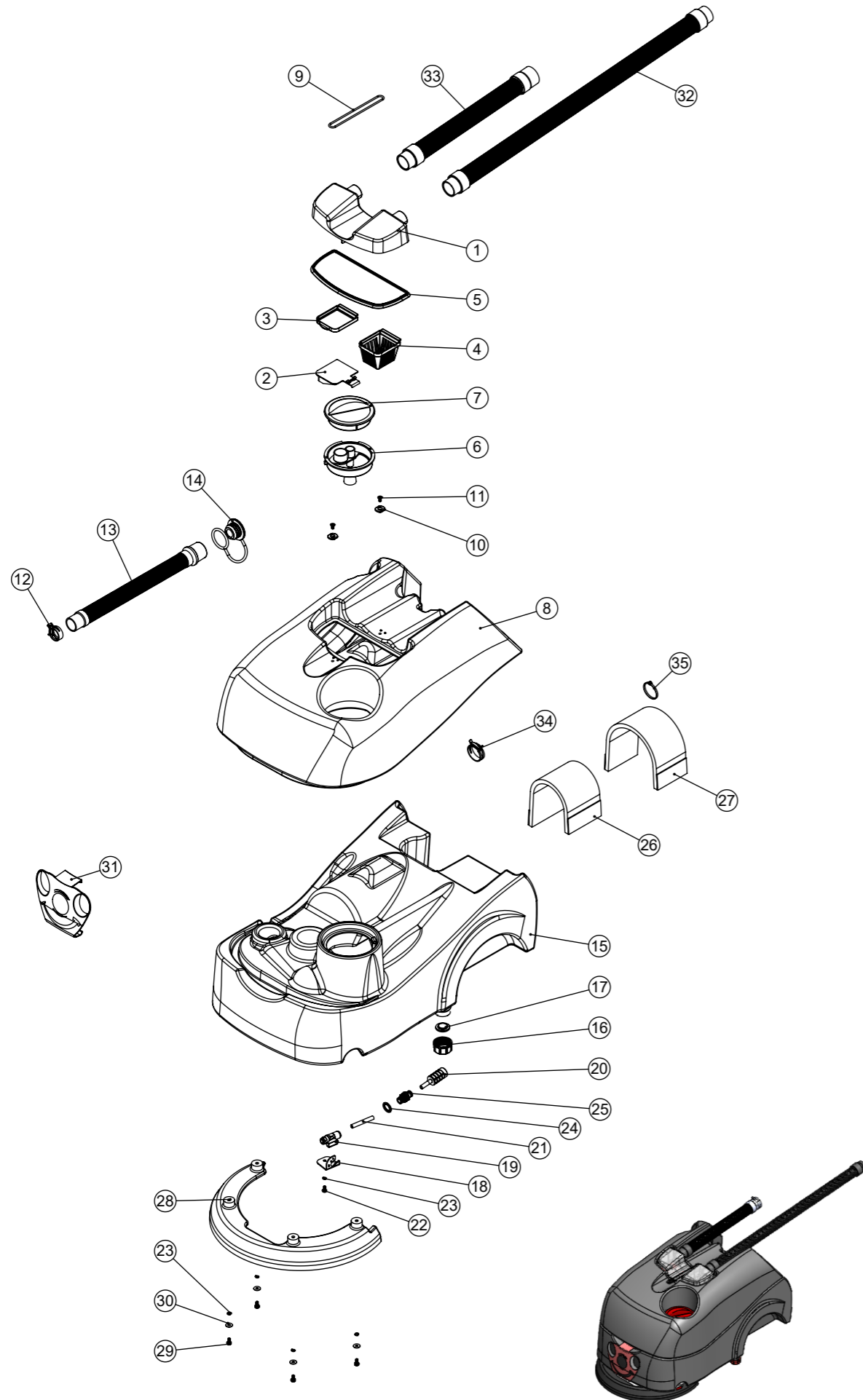
Model No: TTB1840 36V HANDLE ASSEMBLY - EXPLODED

ITEM NO.	PART NUMBER	DESCRIPTION	QTY	COMMENTS:
1	900398	HANDLE CASTING MACHINED (HNS VERSION)	1	
2	229099	25MM DIA HOLE PLUG	1	
3	900397	MINI ADJUSTMENT GEAR	1	
4	900396	ADJUSTMENT GEAR SPACER	2	
5	219578	M8 FORM A STAINLESS STEEL WASHER	6	
6	291150	NO6 X 1 INCH LONG POZI PAN SCREW S/S	1	
7	219922	M8 X 50MM LONG SOCKET BUTTON HEAD STAINLESS STEEL BOLT	3	
8	219639	M8 STAINLESS STEEL NYLON INSERT NUT	3	
9	903260	M8 BOLT AND NUT CAP	3	
10	330027	TTB1840 HANDLE TUBE (600MM) PROCESSED PAINTED SILVER	1	
11	229139	CABLE CLAMP	1	
12	219270	NO8 X 1/2 INCH LONG POZI PAN SELF TAP SCREW	4	
13	903546	HANDLE PLUG MOULDING (RED)	1	
14	229009	BLANKING PLUG	1	
15	903545	ADJUSTMENT LEVER MOULDING (RED)	1	
16	215029	610MM HANDLE LOCKING ROD	1	
17	219493	M6 NYLON WASHER	1	
18	219642	M6 STAINLESS STEEL NYLON INSERT NUT	1	
19	20638V	19MM BLACK TUBE END STOP	1	
20	229030	ANTI VIBRATION PAD	1	
21	229138	SPRING	1	
22	229073	GEAR LOCKING PIN	1	
23	911562	TTB1840 36V FRONT COVER MOULDING	1	
24	227576	FRONT INNER HALF MOULDING	1	
25	227577	REAR INNER HALF MOULDING	1	
26	227579	REAR COVER MOULDING	1	
27	338269	CROSS TUBE	1	
28	227580	HAND GRIP MOULDING	2	
29	903547	TRIGGER MOULDING (RED)	2	
30	227585	LEFT HAND SWITCH OPERATING LEVER MOULDING	1	
31	227586	RIGHT HAND SWITCH OPERATING LEVER MOULDING	1	
32	227587	CENTRE SWITCH OPERATING LEVER MOULDING	1	
33	227584	INTERLOCK LEVER MOULDING	1	
34	911348	TTB 1840 36V CONTROL PANEL OVERLAY	1	
35	911543	ASSEMBLY.1840 DISPLAY	1	
36	229483	SNAP ACTION SWITCH	2	
37	219803	TRIGGER COMPRESSION SPRING	2	
38	227666	BLANKING PLUG	1	
39	219107	NO6.5/8 INCH LG.POZI-PAN.SCREW Z/PL.PLASTITE	4	
40	219370	NO8 X 5/8 INCH LONG PLASTITE STAINLESS STEEL SCREW	8	
41	229669	LOLINE HANDLE CABLE CLAMP	1	
42	219805	4MM SPIREFIX	1	
43	219407	M4 X 16MM LONG POZI PAN COUNTERSUNK SCREW	2	
44	219687	M4 STAINLESS STEEL NYLON INSERT NUT	2	
45	219497	M5 NYLON WASHER	4	
46	219688	M4 FORM A STAINLESS STEEL WASHER	4	
47	911746	LOOM ASSEMBLY.7CRT	1	
48	911754	LOOM ASSEMBLY.3CRT	1	
49	321627	LINK WIRE.BLACK.120.0M75.FASTON.PIGGYBACK	1	
50	911783	M5 X 10MM BUTTON HEAD ST 6-LOBE PIN BARREL NUT (T25)	4	
51	911785	M5 X 30 A2 ST/ST 6 LOBE PIN BARREL BOLT WITH NYLON PATCH (T25)	4	
52	219870	M6 FORM A WASHER STAINLESS STEEL	4	
53	219355	M5 FORM A STAINLESS STEEL WASHER	3	
54	219644	M5 FORM G STAINLESS STEEL WASHER	1	
55	219393	P CLIP	2	
56	219099	M6 HALF NUT	1	
57	219804	SWITCH COMPRESSION SPRING	1	
58	219811	NO8 X 1 INCH LONG POZI-PAN SELF TAP SCREW	2	

Numatic International Spare Parts

Model No: TTB (& HTB) 1840 TANK & SEPARATOR EXPLODED DRAWING ASSEMBLY

Internal Code: 234806, 913407
 DRAWING: DRW-6988 ISS:A37
 PRO 16/12/2020



Numatic International Spare Parts

Model No: TTB (& HTB) 1840 TANK & SEPARATOR EXPLODED DRAWING ASSEMBLY

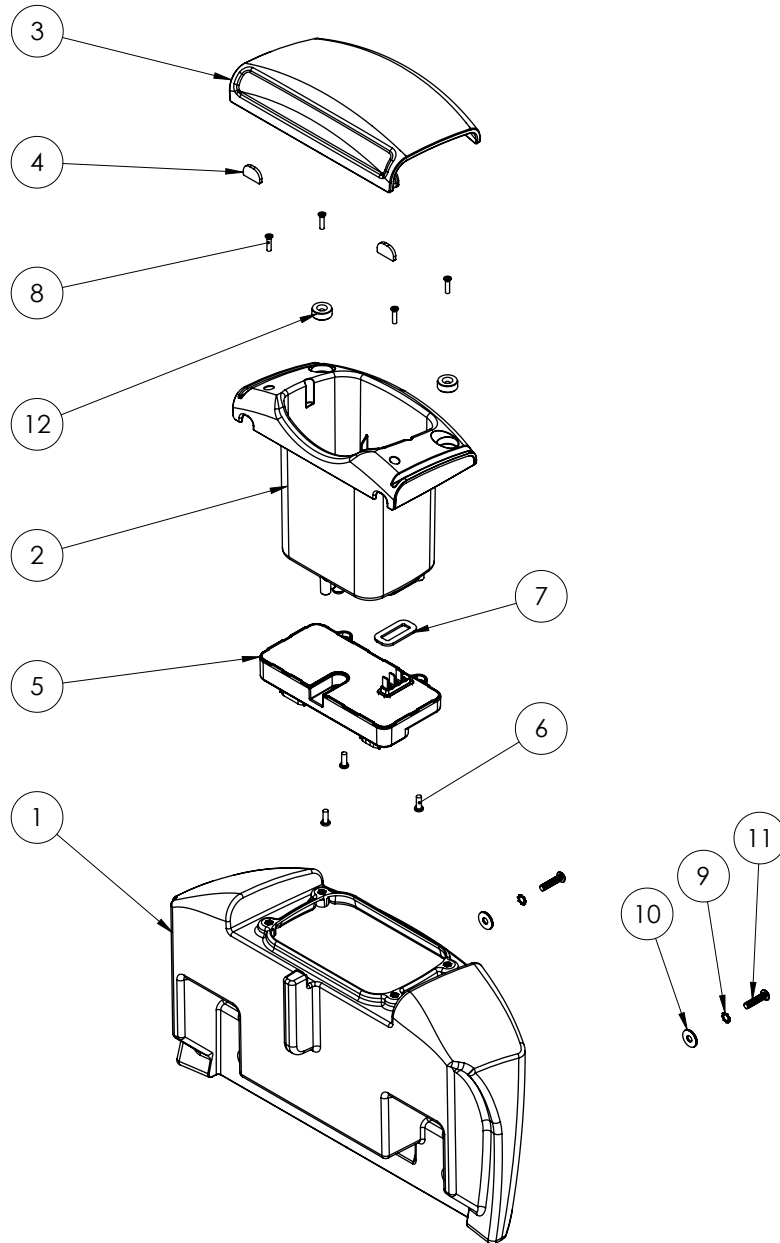
ITEM NO.	PART NUMBER	DESCRIPTION	QTY	COMMENTS:
1	237230	TTB 1840 SEPARATOR MOULDING	1	
2	237231	TTB 1840 SHUT OFF FLAP	1	
3	237232	TTB 1840 AIR FILTER PANEL	1	
4	237411	TOP TANK FILTER	1	
5	237418	TTB 1840 SEPARATOR SEAL MOULDING	1	
6	303985	TTB 1840 FILLER CAP ASSEMBLY	1	
7	903544	FILLER CAP LID (RED)	1	GREY VERSION 237268
8	903302	TTB 1840 TOP TANK (GRAPHITE)	1	HTB VERSION 907444
9	208715	O RING (3mmDIA.95mm)	1	
10	237397	O RING CLIP MOULDING (BLACK)	2	BLACK VERSION 237397
11	291008	M5 X 10MM LONG POZI PAN COUNTERSUNK STAINLESS STEEL SCREW	2	
12	208471	HEAVY DUTY SPRING BAND CLAMP (27MM) [NOMINAL DIA 32MM - ABBEY CLAMPS E770320]	1	
13	208466	TTB 1840 DUMP HOSE	1	
14	903325	32MM HOSE CAP RED	1	
15	237228	TTB 1840 CLEAN TANK	1	HTB VERSION 907442
16	906415	CAP MOULDING	1	REPLACES 208448
17	905467	SEALING BUNG	1	
18	392125	TTB 1840 TAP PLATE	1	
19	216260	MINI BALL VALVE	1	
20	303961	TANK FILTER ASSEMBLY	1	
21	303960	TANK FILTER TUBE	1	
22	219668	M5 X 10MM LONG POZI PAN STAINLESS STEEL SCREW	1	
23	219861	M5 SINGLE COIL STAINLESS STEEL WASHER	5	
24	208525	BONDED SEAL	1	
25	902109	8MM PUSH FIT BRASS BULKHEAD FITTING	1	
26	208479	TTB 1840 FOAM PAD (100 X 320)	1	
27	208478	TTB 1840 FOAM PAD (90 X 370)	1	
28	237233	TTB 1840 DECK MOULDING (GRAPHITE)	1	HTB VERSION 907556
29	291131	M5 X 12MM LONG STAINLESS STEEL POZI PAN SEMS SCREW	4	
30	219644	M5 FORM G STAINLESS STEEL WASHER	4	
31	907179	1840 FACE MOULDING (MODEL WITH GRAPHICS)	1	
32	213054	SUCTION HOSE	1	
33	213055	TTB 1840 VAC HOSE C/W CUFFS	1	
34	208537	HEAVY DUTY SPRING BAND CLAMP (36MM) [NOMINAL DIA 44MM - ABBEY CLAMPS E770440]	1	
35	220138	BLACK CABLE TIE	1	

Numatic International Spare Parts

Model No: BATTERY MODULE - EXPLODED ASSEMBLY

911736
DRAWING: DRW-32183 ISS:A04
29/07/2020

NB: FOR WIRING SEE DRAWING: DRW-32476 (911781)



Numatic International Spare Parts

Model No: BATTERY MODULE - EXPLODED ASSEMBLY

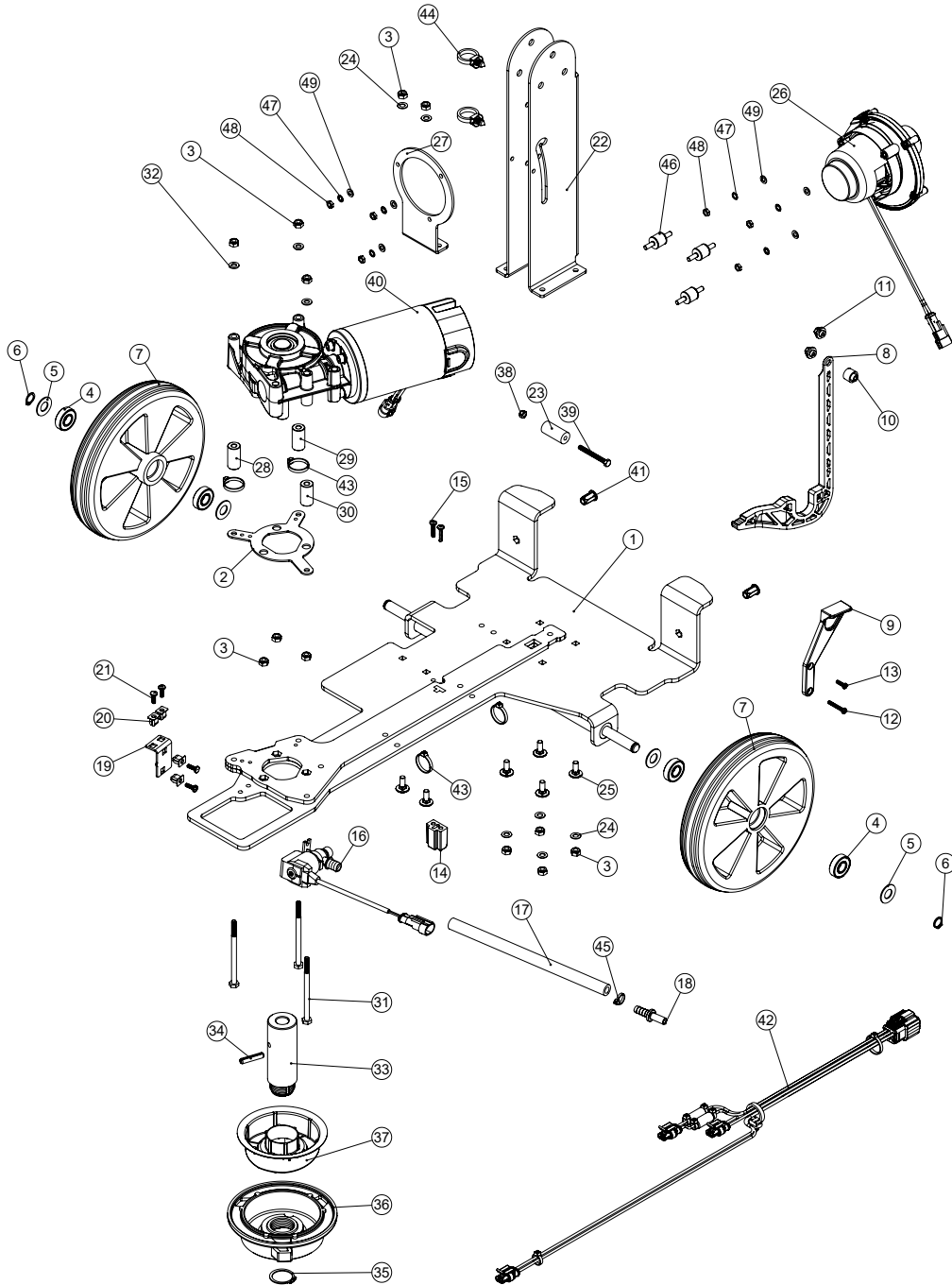
ITEM NO.	PART NUMBER	DESCRIPTION	QTY	COMMENTS:
1	911724	BATTERY MODULE - ROTOMOULDING - POST PROCESSED	1	
2	911559	BATTERY MODULE - BATTERY HOUSING	1	
3	911751	BATTERY MODULE - LID	1	
4	911755	BATTERY MODULE - PLASTIC INSERT	2	
5	911193	ASSEMBLY.1840 CONTROL	1	
6	291152	NO8. 1/2 INCH LG. T20. SCREW. Z/PL. PLASTITE	3	TORQUE TO 2.6Nm ± 0.15Nm
7	905074	GASKET-MODULE-ELECTRONICS	1	
8	219407	M4 X 16MM LONG POZI PAN COUNTERSUNK SCREW	4	
9	902353	M6 EXTERNAL SHAKEPROOF WASHER STAINLESS STEEL	2	
10	219647	M6 FORM G STAINLESS STEEL WASHER	2	
11	911775	M6 X 25MM SOCKET BUTTON HEAD BOLT S/S NYLOCK PATCH	2	
12	912351	M4 SPACER	2	

Numatic International Spare Parts

Model No: TTB 1840 36V BASE - EXPLODED

NB: FOR WIRING SEE DRAWING: DRW-32476 (911781)

911698
DRAWING: DRW-32280 ISS:A11
09/12/2020



Numatic International Spare Parts

Model No: TTB 1840 36V BASE - EXPLODED

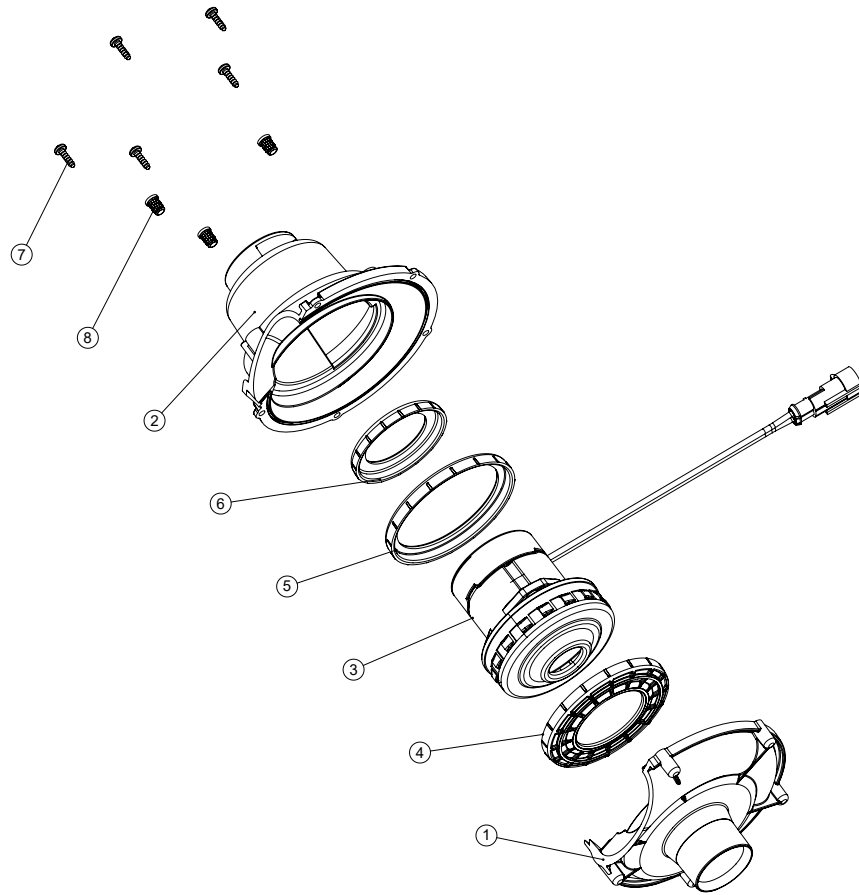
ITEM NO.	PART NUMBER	DESCRIPTION	QTY.
1	911863	TTB 1840 36V CHASSIS WELDED ASSEMBLY Z/PL	1
2	429127	NUT RETAINING PLATE Z/PL	1
3	219642	M6 STAINLESS STEEL NYLON INSERT NUT	12
4	206637	STAINLESS STEEL BEARING	4
5	208490	TTB 1840 WHEEL WASHER	4
6	219345	12MM EXTERNAL CIRCLIP	2
7	914430	TT/B 1840 WHEEL (INCL ITEM 4 - BEARING)	2
8	903926	TTB 1840 SQUEEGEE LIFT ARM (RED)	1
9	903879	TTB 1840 SQUEEGEE LIFT HANDLE (RED)	1
10	237240	TTB 1840 LIFT SPACER	1
11	237241	TTB 1840 SCREW END	2
12	219602	No6 X 1 INCH LONG POZI PAN PLASTITE SCREW (Z/PL)	1
13	219667	No6 X 1/2" LONG PLASTITE SCREW	1
14	237532	UPPER LIFT BLOCK	1
15	219568	NO8.3/4 INCH LG.POZI-PAN.SCREW.STAINLESS STEEL.PLASTITE	2
16	902949	TERMINATED SOLENOID CABLE.BLACK.125.0M5.2.24	1
17	303962	SOLENOID TUBE (230MM)	1
18	206796	BARBED CONNECTOR	1
19	908213	SOLENOID PLATE (TT/TTB1840)	1
20	900986	NYLON GROMMET NUT (PLASTIC INSERT TO SUIT No 8 PLASTITE SCREW)	4
21	219569	No8 X 1/2 INCH LONG POZI PAN STAINLESS STEEL PLASTITE SCREW	4
22	911704	TTB 1840 36V HANDLE MOUNTING BRACKET	1
23	208465	TTB 1840 HANDLE SPACER	1
24	219560	M6 FORM B STAINLESS STEEL WASHER	6
25	291103	M6 X 16 COACH BOLT S/S	6
26	914059	VAC MOTOR ASSEMBLY KIT - INCLUDES ITEMS 27,48x3,47x3)	1
27	911864	TTB1840 36V VAC MOTOR BRACKET Z/PL	1
28	208461	30MM GEARBOX SPACER	1
29	208460	29MM GEARBOX SPACER	1
30	208459	28MM GEARBOX SPACER	1
31	291021	M6 X 90MM LONG STAINLESS STEEL HEXAGONAL HEAD BOLT	3
32	219870	M6 FORM A WASHER STAINLESS STEEL	3
33	208447	TTB 1840 DRIVE SHAFT	1
34	291079	6MM X 30MM STAINLESS STEEL ROLL PIN	1
35	230048	26MM EXTERNAL CIRCLIP	1
36	904758	CHUCK (TO SUIT FLUID CHANNEL)	1
37	903639	FLUID CHANNEL	1
38	219633	M5 STAINLESS STEEL NYLON INSERT NUT	1
39	219706	M5 X 45MM LONG STAINLESS STEEL HEXAGONAL BOLT	1
40	911475	36V DC BRUSH DRIVEMOTOR/GEARBOX ASSEMBLY (18.67:1 RATIO) C/W TE SUPERSEAL 2 WAY CONNECTOR	1
41	911737	M6 FULL HEX FLAT HEAD OPEN RIVETNUT (NHSF-M650)	2
42	911643	LOOM ASSEMBLY.6CRT	1
43	220007	BLACK CABLE TIE	4
44	911965	170MM LONG X 5MM WIDE BLACK PUSH FIT CABLE TIE (213253000)	2
45	220844	WHITE CABLE TIE	1
46	913335	P2004.15-15 M5 MALE TO MALE ANTIVIBRATION MOUNT	3
47	291084	M5 SHAKEPROOF WASHER STAINLESS STEEL	6
48	219721	M5 STAINLESS STEEL FULL NUT	6
49	219003	M5 FORM A STEEL WASHER	6

Numatic International Spare Parts

Model No: CINDERSON VAC HOUSING - EXPLODED ASSEMBLY

911975
DRAWING: DRW-32197 ISS:A08
08/12/2020

NB: FOR WIRING SEE DRAWING: DRW-32476 (911781)



Numatic International Spare Parts

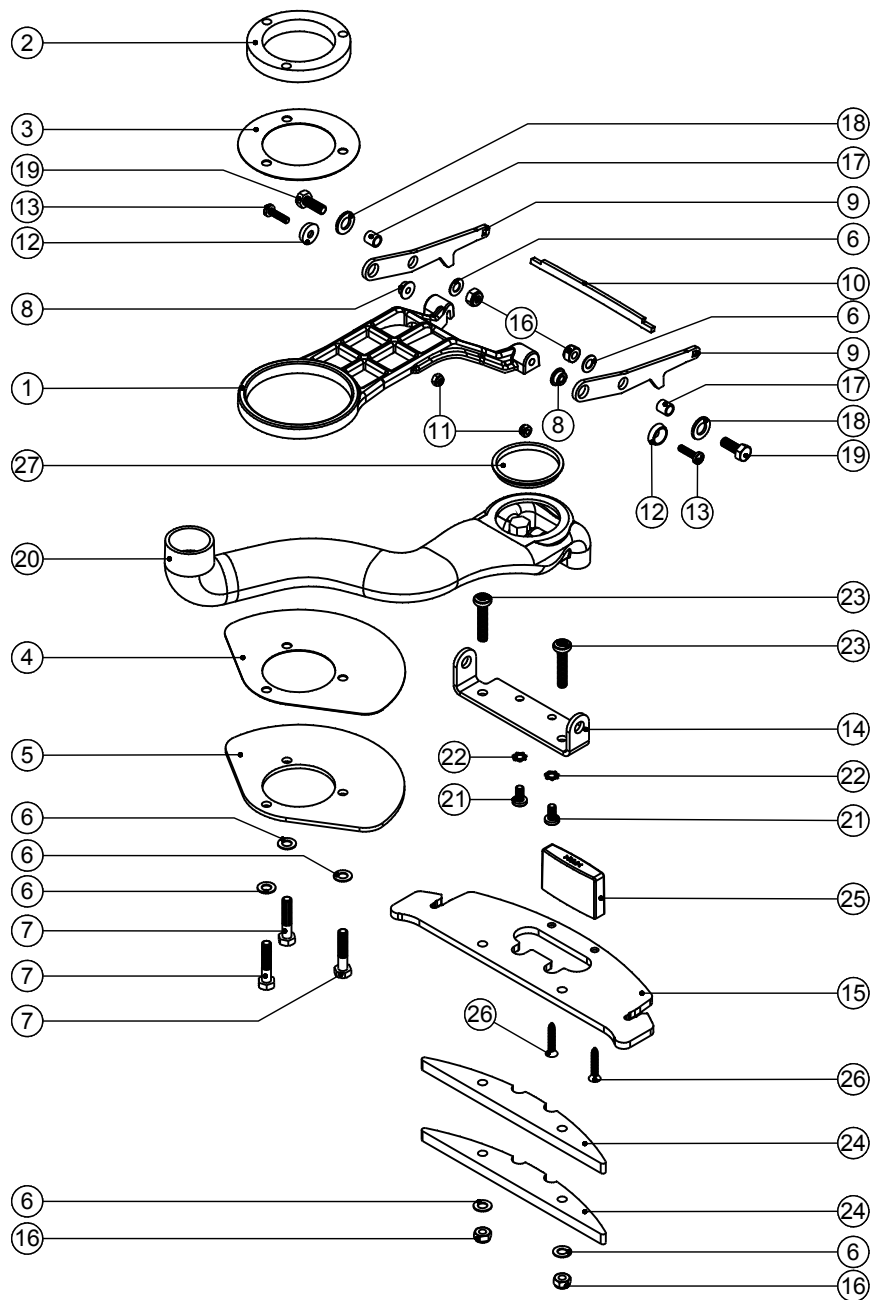
Model No: CINDERSON VAC HOUSING - EXPLODED ASSEMBLY

ITEM NO.	PART NUMBER	DESCRIPTION	QTY	COMMENTS:
1	913383	CINDERSON VAC HOUSING - BOTTOM MOD	1	
2	913382	CINDERSON VAC HOUSING - TOP MOD	1	
3	911741	CINDERSON B74-LS4015010K-021 100W VAC MOTOR C/W TE SUPERSEAL 2 WAY CONNECTOR	1	
4	911555	CINDERSON VAC HOUSING - BOTTOM GASKET	1	
5	911556	CINDERSON VAC HOUSING - MID GASKET	1	
6	911557	CINDERSON VAC HOUSING - TOP GASKET	1	
7	219852	NO6 X 1/2 LONG POZI PAN STAINLESS STEEL SELF TAP SCREW	5	
8	219109	M5 BRASS INSERT	3	

Numatic International Spare Parts

Model No: SWING ARM ASSEMBLY EXPLODED DRAWING

234839,330042
DRAWING: DRW-10739 ISS:A09
05/07/2019



Numatic International Spare Parts

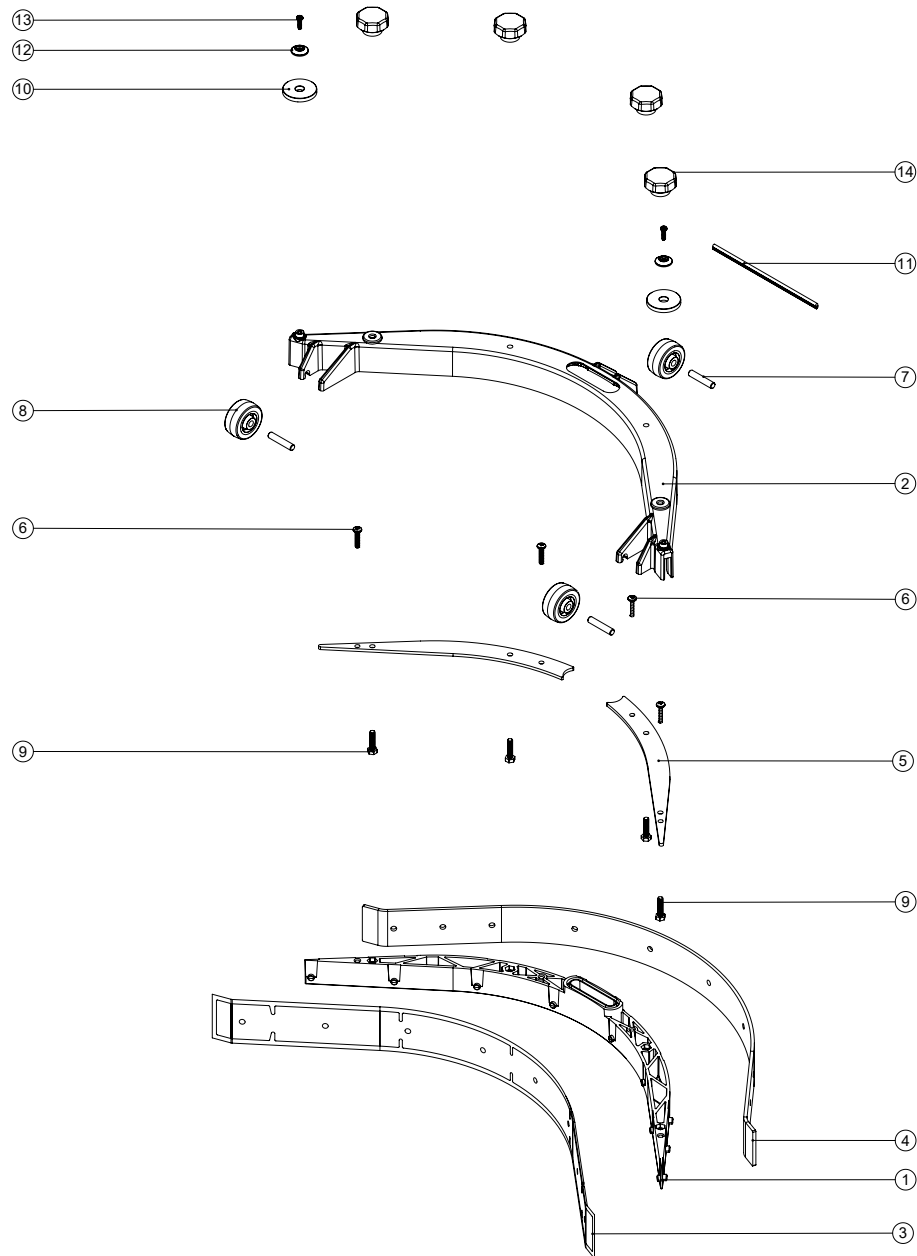
Model No: SWING ARM ASSEMBLY EXPLODED DRAWING

ITEM NO.	PART No.	DESCRIPTION	QTY.
1	429133	TTB 1840 SWING ARM PAINTED	1
2	208449	TTB 1840 SWING ARM CENTRE PIVOT	1
3	208491	TTB 1840 NYLON DISC	1
4	208482	TTB 1840 SWING ARM NYLON PLATE	1
5	429126	TTB 1840 SWING ARM BOTTOM PLATE	1
6	219560	M6 FORM B STAINLESS STEEL WASHER	7
7	291022	M6 X 30MM LONG STAINLESS STEEL HEXAGONAL HEAD BOLT	3
8	237265	PIVOT BUSH	2
9	392120	TT/TTB 1840 SQUEEGEE PIVOT ARM	2
10	392124	TTB 1840 SQUEEGEE LIFT PLATE	1
11	219687	M4 STAINLESS STEEL NYLON INSERT NUT	2
12	219573	SCREW INSULATOR	2
13	219862	M4 X 16MM LONG POZI PAN STAINLESS STEEL SCREW	2
14	392119	PIPE CONNECTING BRACKET	1
15	429129	TTB 1840 SQUEEGEE SKID PLATE	1
16	219642	M6 STAINLESS STEEL NYLON INSERT NUT	4
17	208475	8MM SPACER	2
18	219578	M8 FORM A STAINLESS STEEL WASHER	2
19	219719	M6 X 16MM LONG HEXAGONAL STAINLESS STEEL HEAD BOLT	2
20	903535	FLUID PIPE PROCESSED (GRAPHITE) (SALES USE 902531)	1
21	219668	M5 X 10MM LONG POZI PAN STAINLESS STEEL SCREW	2
22	291020	M5 STAINLESS STEEL EXTERNAL SHAKEPROOF LOCK WASHER	2
23	219984	M6 X 30MM LG POZI-PAN STAINLESS STEEL MACHINE SCREW	2
24	429131	TTB 1840 ADDITIONAL WEIGHT	2
25	237531	LOWER LIFT BLOCK	1
26	291086	No.8 X 1 A2 S/ST PZ COUNTER SUNK. SELF TAP TYPE AB	2
27	901880	PROTECTION PLUG DIA 43MM	1

Numatic International Spare Parts

Model No: TTB 1840 SQUEEGEE EXPLODED DRAWING ASSEMBLY

577761
DRAWING: DRW-7011 ISS:A15
27/11/201
9



Numatic International Spare Parts

Model No: TTB 1840 SQUEEGEE EXPLODED DRAWING ASSEMBLY

POS.	ITEM NO.	DESCRIPTION	QTY.
1	237235	TTB 1840 SQUEEGEE INNER MOULDING	1
2	237236	TTB 1840 SQUEEGEE OUTER MOULDING	1
		903531 - TTB1840G/NX Squeegee Blade Set	1
5	429130	TTB 1840 SQUEEGEE SIDE PLATE Z/PL	2
6	219568	NO8.3/4 INCH LG.POZI-PAN.SCREW.STAINLESS STEEL.PLASTITE	4
7	208610	TTB 1840 SQUEEGEE AXLE	3
8	208454	TTB 1840 SQUEEGEE WHEEL	3
9	291029	M5.20MM LG.HEX.SCREW S/S	4
10	237266	BUFFER WHEEL	2
11	209077	SQUEEGEE SEAL EXTRUSION	1
12	208603	NYLON FINISHING WASHER (BLACK)	2
13	291053	3.5 X 12MM POZI PAN PLASTITE SCREW S/S	2
14	208455	TTB 1840 SQUEEGEE KNOB	4

COMPLETE SQUEEGEE ASSEMBLY
903532 - TTB1840 SQUEEGEE W/SERILOR POLYURETHANE BLADES