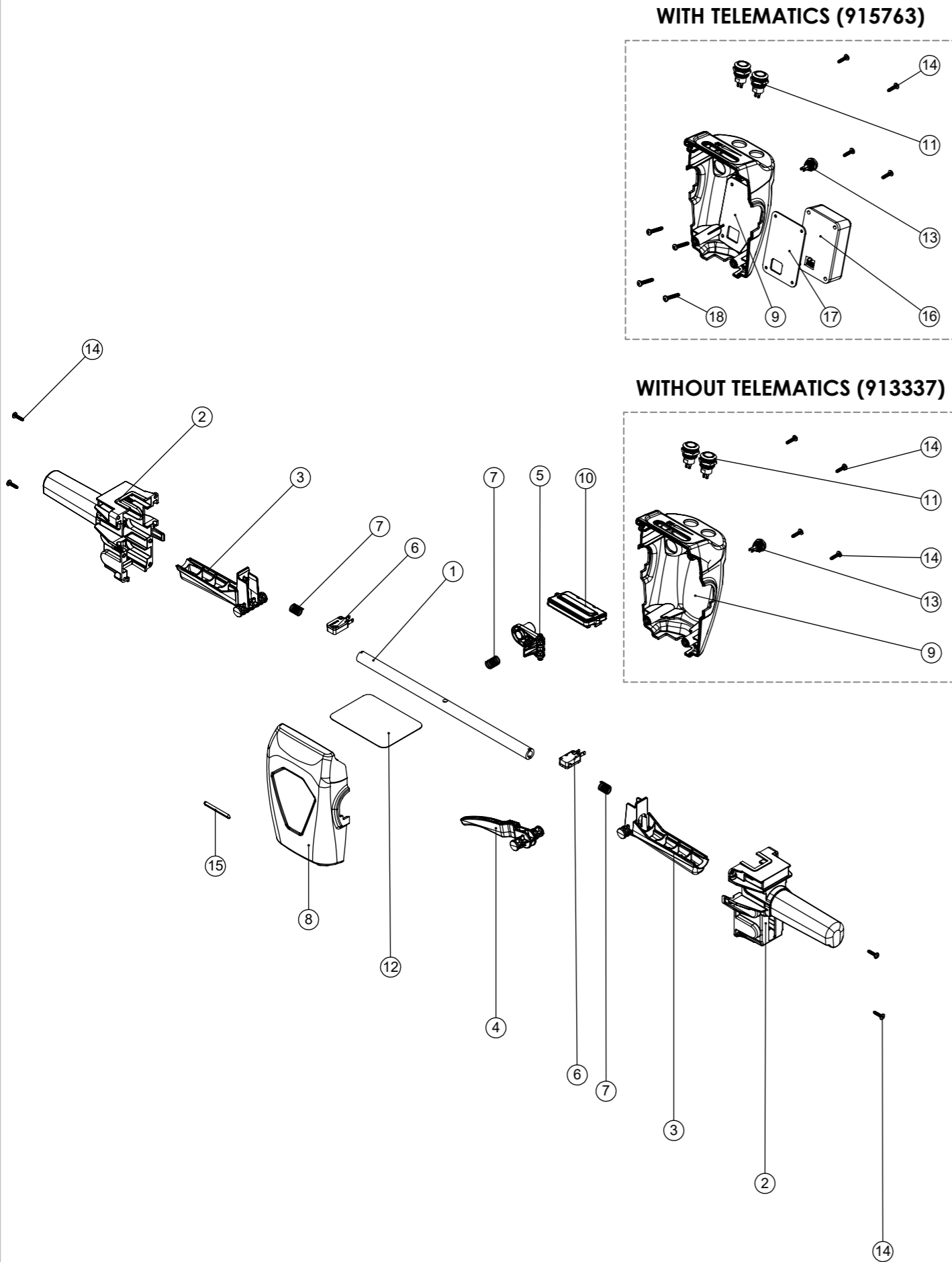


**Numatic International Spare Parts**

913337, 915763  
 DRAWING: DRW-35076 ISS:A05  
 6/01/2023

**Model No: 244 HANDLE ASSEMBLY EXPLODED DRAWING**

NB: FOR WIRING SEE DRAWING: DRW-34941



**Numatic International Spare Parts**

**Model No: 244 HANDLE ASSEMBLY EXPLODED DRAWING**

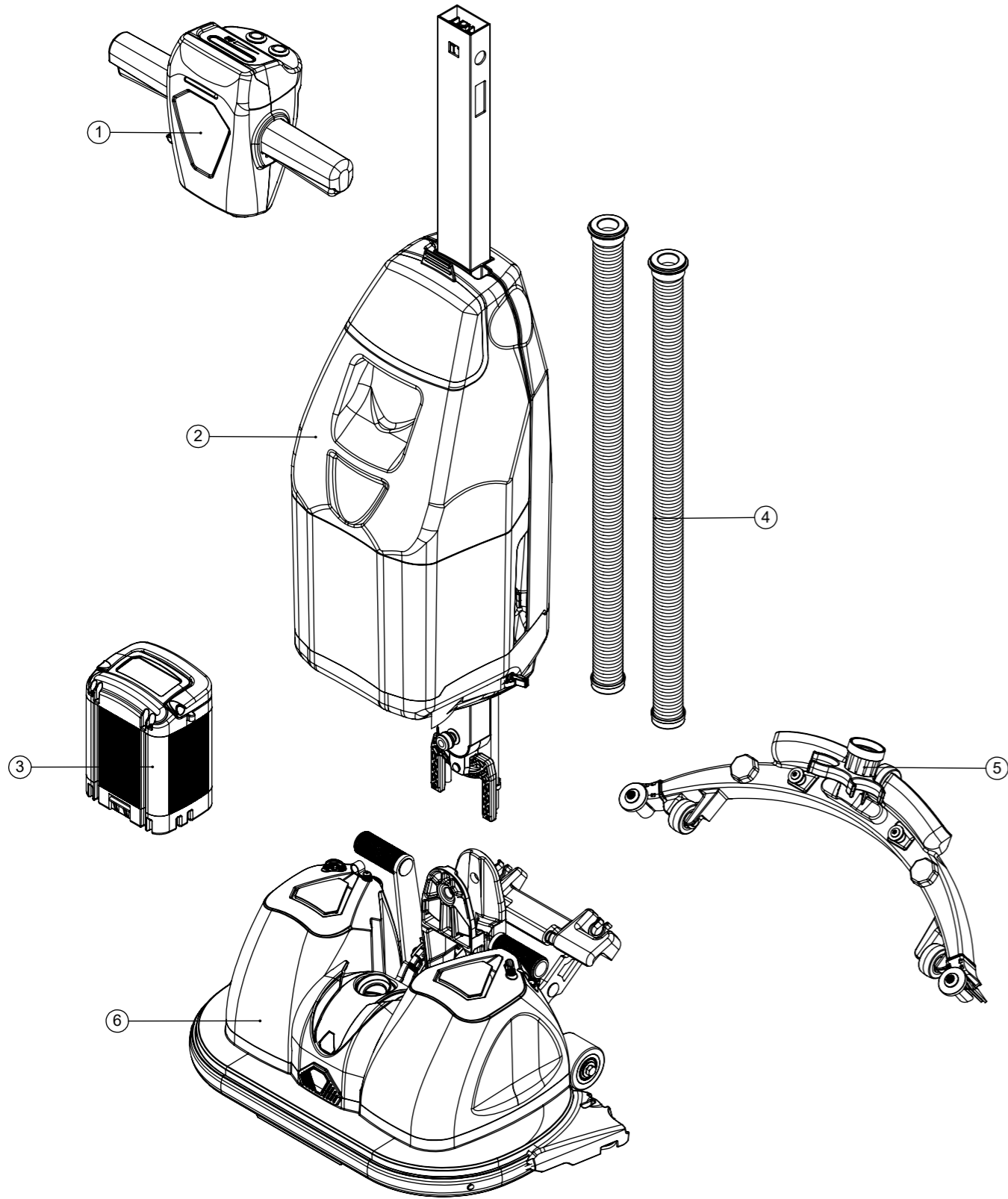
ITEM NO:	PART NO:	DESCRIPTION:	COMMENTS	Default/QTY.
1	910887	HANDLE CROSS TUBE		1
2	910726	HANDLE GRIP		2
3	910727	HANDLE TRIGGER		2
4	910733	HANDLE RELEASE LEVER		1
5	910734	HANDLE LOCK BUTTON		1
6	229483	SNAP ACTION SWITCH		2
7	219803	TRIGGER COMPRESSION SPRING		3
8	910850	FRONT HANDLE COVER MOULDING		1
9	910851	REAR HANDLE COVER MOULDING	913337 ONLY	1
	912068	[TELEMATICS] TTB244 HANDLE REAR COVER MOULDING	915763 ONLY	1
10	914006	NUC.244NX HANDLE PCB KIT (ALSO INCLUDES ITEM 9 & ITEM 14)		1
11	913996	INUC.244NX HANDLE VAC/WATER SWITCH KIT (1 ONLY)		2
12	912145	HANDLE WIRING PROTECTOR		1
13	913246	ISR3Z1AD500 - YELLOW 12MM SEALED PUSH BUTTON SWITCH		1
14	219370	No8 X 5/8 INCH LONG PLASTITE STAINLESS STEEL SCREW	TORQUE TO 2.6Nm	8
15	913456	SELF-ADHESIVE DOMED PROTECTIVE STRIP		1
16	912615	TELEMATICS MODULE ASSEMBLY - GRAPHITE GREY	915763 ONLY	1
17	912151	ADHESIVE PAD - TELEMATICS	915763 ONLY	1
18	219369	No8 X 1 INCH LONG POZI PAN STAINLESS STEEL PLASTITE SCREW	915763 ONLY	4

**Numatic International Spare Parts**

**Model No: NUC 244 NX GENERAL EXPLODED DRAWING**

913433  
DRAWING: DRW-35252 ISS:A08  
25/05/2021

NB: FOR WIRING SEE DRAWING: DRW-34941



**Numatic International Spare Parts**

**Model No: NUC 244 NX GENERAL EXPLODED DRAWING**

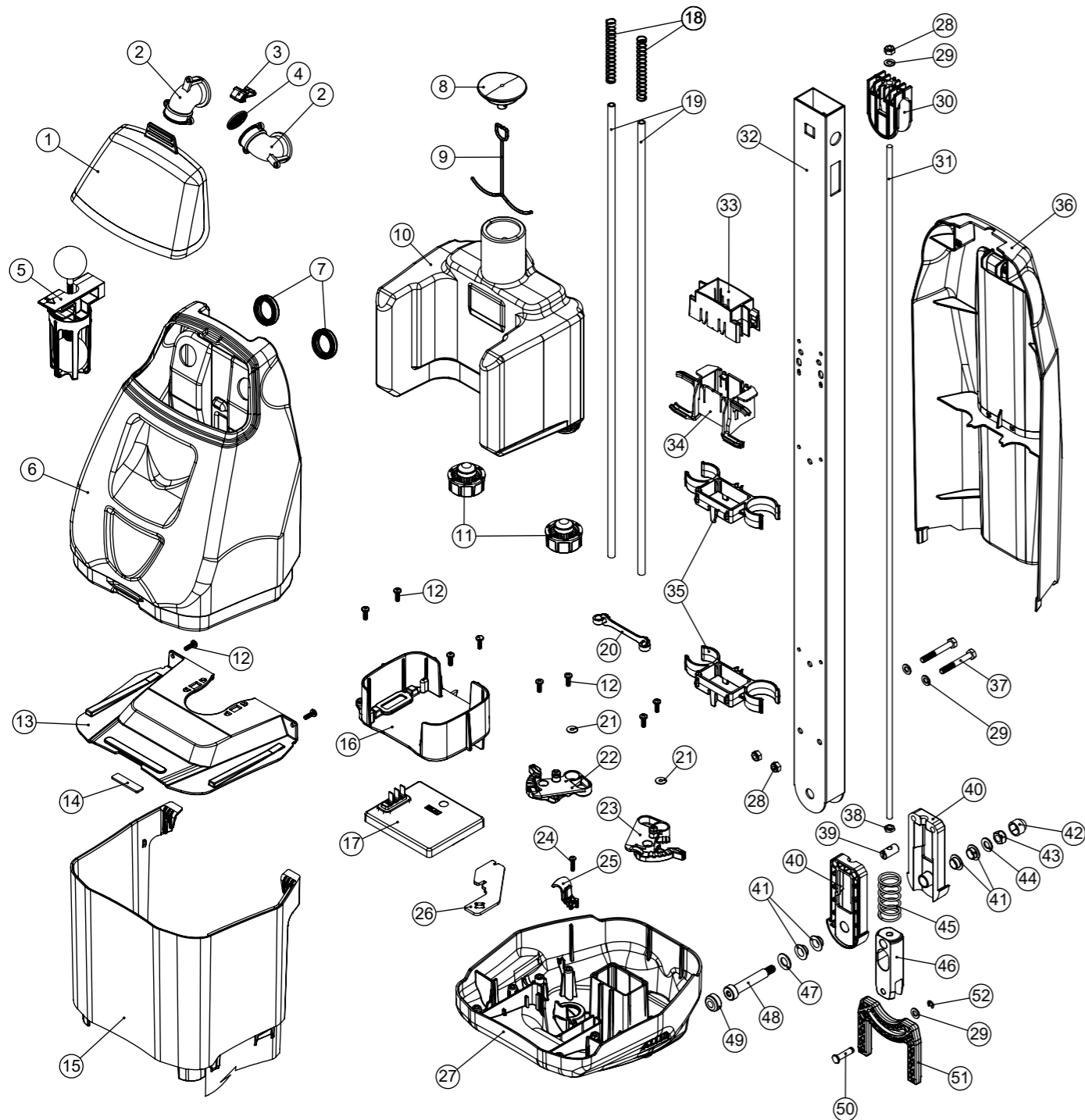
ITEM NO.	PART NO.	DESCRIPTION	DRAWING NO.	QTY.
1	913337	HANDLE ASSEMBLY	DRW-35076	1
2	913827	WASTE WATER TANK KIT COMPLETE	DRW-31385	1
3	913686	BATTERY.36.8700	N/A	1
4	910931	HOSE 600MM LONG 32.8MM OD 24MM ID COMPLETE WITH END FITTINGS	N/A	2
5	913830	SQUEEGEE ASSEMBLY	DRW-31959	1
6	913432	BASE ASSEMBLY	DRW-35236	1
	913847	BASE ASSEMBLY [DE]	DRW-36183	1

# Numatic International Spare Parts

**Model No:** MID SECTION ASSEMBLY EXPLODED DRAWING

NB: FOR WIRING SEE DRAWING: DRW-32894

911919  
DRAWING: DRW-31385 ISS:A09  
11/03/2021



# Numatic International Spare Parts

**Model No:** MID SECTION ASSEMBLY EXPLODED DRAWING

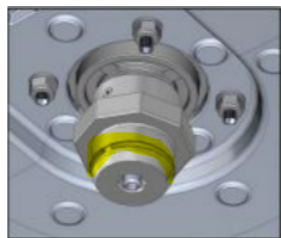
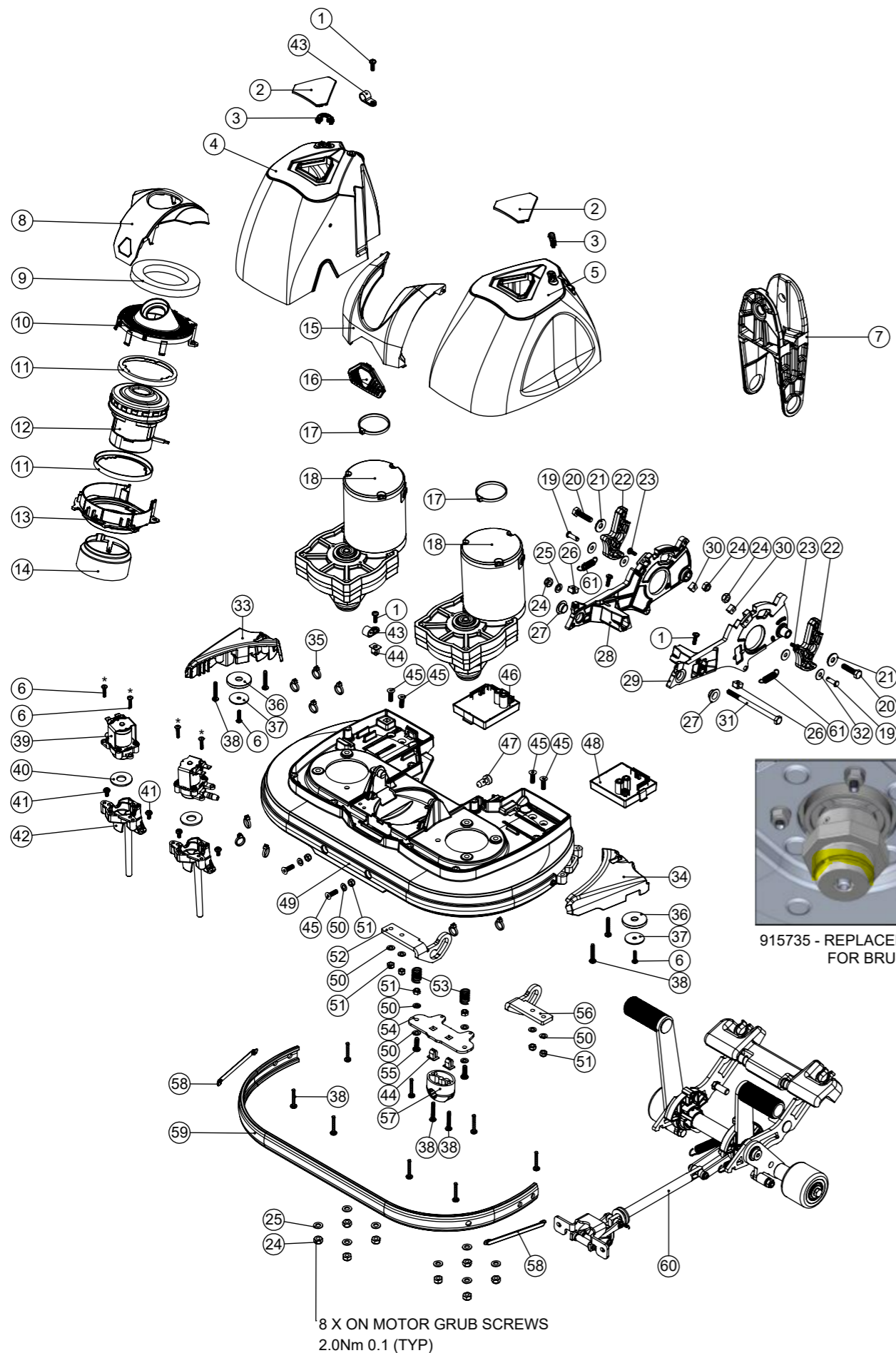
ITEM:	PART No:	Description	Comments	QTY.
1	913837	NUC.244NX SEPERATOR ASSEMBLY (INCLUDES ITEM 1, 2, 3 & 4)		1
2				2
3				1
4	911286	PORT FILTER DISC		1
5	913835	BALL SHUT OFF ASSEMBLY		1
6	911499	WASTE TANK P5 SHELLD WITH LUGS BLOW MOULDING		1
7	914741	GASKET SEAL KIT (SET 4)		1
8	915563	NUC244 CLEAN WATER TANK CAP KIT (INCLUDES ITEMS 8 & 9)		1
9				1
10	913825	CSD P5 CLEAN TANK BLOW MOULDING		1
11	913829	CLEAN WATER TANK VALVES (SET 2)		2
12	219569	No8 X 1/2 INCH LONG POZI PAN STAINLESS STEEL PLASTITE SCREW	2.6Nm ± 0.1	10
13	911534	WT SHELF MOULDING		1
14	911786	FOAM PAD 40 X 10 X 2MM		1
15	913483	WT SUPPORT MOULDING PRINTED NUMATIC 244NX		1
16	911537	BATTERY SUPPORT MOULDING		1
17	914008	CSD CONTROL PCB ASSEMBLY		1
18	219327	80MM LG COMPRESSION SPRING		2
19	913691	CLEAR SILICONE TUBE 5MM ID X 8MM OD X 608MM LONG		2
20	913695	HOSE RETAINER		1
21	907391	M4 A2 S/ST FLAT WASHER DIN9021 (REF: WAWSFM400X500)		2
22	912597	FC VALVE LEFT		1
23	912596	FC VALVE RIGHT		1
24	219914	NO6.5/8 INCH LG.POZI-PAN.SCREW.STAINLESS STEEL.PLASTITE	1.6Nm ± 0.1	1
25	911272	WIRE CLAMP MOULDING		1
26	913062	RETAINER PLATE		1
27	913661	NUC HANDLE BASE MOULDING PRINTED WATER FLOW		1
28	219642	M6 STAINLESS STEEL NYLON INSERT NUT		3
29	219870	M6 FORM A WASHER STAINLESS STEEL		4
30	910730	HANDLE RELEASE SLIDER		1
31	910882	HANDLE LOCKING ROD		1
32	912443	HANDLE TUBE PAINTED SILVER		1
33	911266	TANK LOCK MOULDING		1
34	911267	HOSE END MOUNT MOULDING		1
35	913834	DUAL HOSE CLIP MOULDING		2
36	911811	REAR COVER ASSEMBLY		1
37	219896	M6 X 45MM LONG HEXAGONAL STAINLESS STEEL BOLT	8.5Nm ± 0.5	2
38	219099	M6 HALF NUT		1
39	911814	M6 X 20MM CROSS DOWEL BARREL NUT Z/PL		1
40	910715	HANDLE PIVOT MOULDING		2
41	208330	IGUS BEARING (GFM 101206)		4
42	903260	M8 BOLT AND NUT CAP		1
43	219639	M8 STAINLESS STEEL NYLON INSERT NUT		1
44	219578	M8 FORM A STAINLESS STEEL WASHER		1
45	208782	SPRING (C5517490)		1
46	910881	ROLL LATCH		1
47	219903	M10 FORM A STAINLESS STEEL WASHER		1
48	208333	M8 X 10 X 50MM LONG HEX SOCKET SHOULDER BOLT	20.0Nm ± 1.0	1
49	237632	SHOULDER BOLT COVER		1
50	912703	6MM X 22MM S/S CLEVIS PIN WITH E-CLIP GROOVE		1
51	915575	PITCH LATCH KIT - INCL ITEMS 50, 52 & 29		1
52	912704	E-CLIP RSM0040 DIN 6799		1

# Numatic International Spare Parts

## Model No: BASE ASSEMBLY EXPLODED DRAWING

NB: FOR WIRING SEE DRAWING: DRW-34941

913432  
DRAWING: DRW-35236 ISS:A13  
20/04/2022



915735 - REPLACEMENT O-RING SET FOR BRUSH HUBS (SET 2)

8 X ON MOTOR GRUB SCREWS  
2.0Nm 0.1 (TYP)

# Numatic International Spare Parts

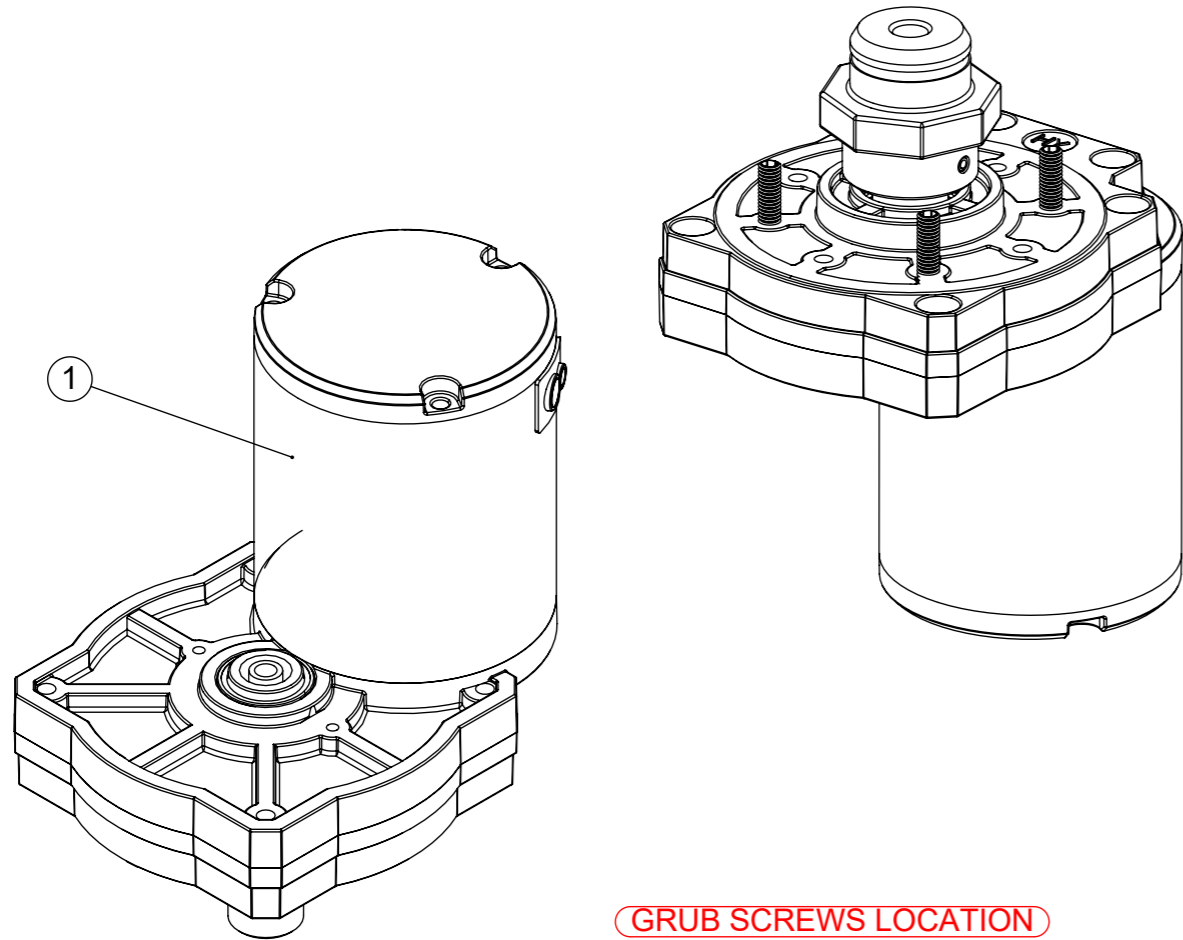
## Model No: BASE ASSEMBLY EXPLODED DRAWING

ITEM NO.	PART NO.	DESCRIPTION	COMMENTS	QTY.
1	219569	No8 X 1/2 INCH LONG POZI PAN STAINLESS STEEL PLASTITE SCREW	TORQUE TO 2.6Nm	4
2	911370	VENT CAP MOULDING		2
3	911800	TUBE CLIP MOULDING		2
4	911778	LEFT MOTOR COVER MOULDING		1
5	911779	RIGHT MOTOR COVER MOULDING		1
6	219914	NO6.5/8 INCH LG.POZI-PAN.SCREW.STAINLESS STEEL.PLASTITE	TORQUE TO 1.6Nm * 2.6Nm on Solenoid	6
7	910884	YOKE		1
8	911101	VAC OUTER MOULDING		1
9	911687	FOAM PAD DISC		1
10	911328	VAC TOP SECTION MOULDING		1
11	911339	VAC GASKET		2
12	910622	CINDERSON B74-LS4015010K-021 100W VAC MOTOR		1
13	911330	VAC MIDDLE SECTION MOULDING		1
14	911329	VAC BOTTOM SECTION MOULDING		1
15	911777	CENTRE COVER MOULDING		1
16	911369	GRILL MOULDING		1
17	220138	BLACK CABLE TIE		2
18	913990	NUC.244NX BRUSH MOTOR KIT - INCLUDES ITEM 15		1
19	904922	CLEVIS PIN 3/16 x 5/8 STAINLESS STEEL		2
20	219925	M6 x 25MM LONG STAINLESS STEEL HEX SCREW	TORQUE TO 8.5Nm	2
21	219647	M6 FORM G STAINLESS STEEL WASHER		2
22	910717	FLOOR TOOL LATCH		2
23	291041	NO.6 3/8 INCH LG.POZI-PAN.SCREW.Z/PL/PLASTITE.BLACKODISED	TORQUE TO 1.6Nm	2
24	219642	M6 STAINLESS STEEL NYLON INSERT NUT		11
25	219870	M6 FORM A WASHER STAINLESS STEEL		9
26	911260	SCREW BLOCK		2
27	208330	IGUS BEARING (GFM 101206)		2
28	913289	CSD LEFT DECK LINK ARM CASTING MACHINED HOLE		1
29	913290	CSD RIGHT DECK LINK ARM CASTING MACHINED HOLE		1
30	913286	HANDLE POSITION STOP BLOCK		2
31	291021	M6 X 90MM LONG STAINLESS STEEL HEXAGONAL HEAD BOLT	TORQUE TO 8.5Nm	1
32	219644	M5 FORM G STAINLESS STEEL WASHER		4
33	911263	LEFT DECK WING MOULDING		1
34	911262	RIGHT DECK WING MOULDING		1
35	220844	WHITE CABLE TIE		9
36	237266	BUFFER WHEEL		2
37	219930	M5 X 25MM X 1.5MM THICK A4 STAINLESS STEEL PENNY WASHER		2
38	219369	No8 X 1 INCH LONG POZI PAN STAINLESS STEEL PLASTITE SCREW	TORQUE TO 2.6Nm	14
39	911208	FCD360B-DC24V MEISHUO SOLENOID VALVE		2
40	913408	2MM NEOPRENE CLOSED CELL DISC		2
41	219697	M4 X 8MM LONG POZI PAN STAINLESS STEEL SCREW		4
42	911523	SOLENOID CONNECTOR DOWNPIPE MOULDING		2
43	219393	P CLIP		2
44	900986	NYLON GROMMET NUT (PLASTIC INSERT TO SUIT No 8 PLASTITE SCREW)		3
45	913215	M5 X 16MM SOCKET COUNTERSUNK SCREW STAINLESS STEEL	TORQUE TO 3.5Nm	6
46	910361	36V BLDC MOTOR CONTROLLER (COUNTER CLOCKWISE)	(LEFT)	1
47	913206	BLIND GROMMET (G10-RB62-50-00S)		1
48	910280	36V BLDC MOTOR CONTROLLER (CLOCKWISE)	(RIGHT)	1
49	913889	DECK CASTING PROCESSED PAINTED SILVER		1
50	219355	M5 FORM A STAINLESS STEEL WASHER		10
51	219633	M5 STAINLESS STEEL NYLON INSERT NUT		8
52	913347	LATCH PLATE R/H		1
53	219803	TRIGGER COMPRESSION SPRING		2
54	913248	BEARING MOUNTING PLATE		1
55	219785	M5 X 16MM LONG BUTTON HEAD STAINLESS STEEL SCREW	TORQUE TO 3.5Nm	2
56	913348	LATCH PLATE L/H		1
57	913213	RJUMP-05-12 - IGUS - DRYLIN® RJUMP SPLIT HOUSING		1
58	913839	TRIM GLIDE MOULDING (SET 2)		1
59	913838	DECK BUFFER KIT (INCLUDES ITEM 58)		1
60	913365	SQUEEGEE AND LIFTING MECHANISM ASSEMBLY		1
61	914094	EXTENSION SPRING (32MM)		2

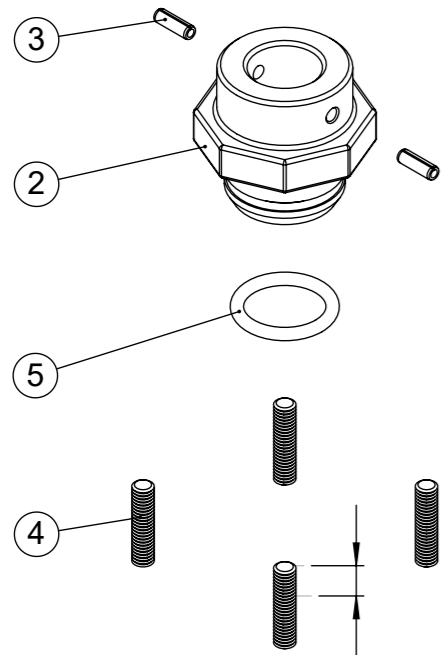
**Numatic International Spare Parts**

**Model No:** BRUSH MOTOR SUB ASSEMBLY

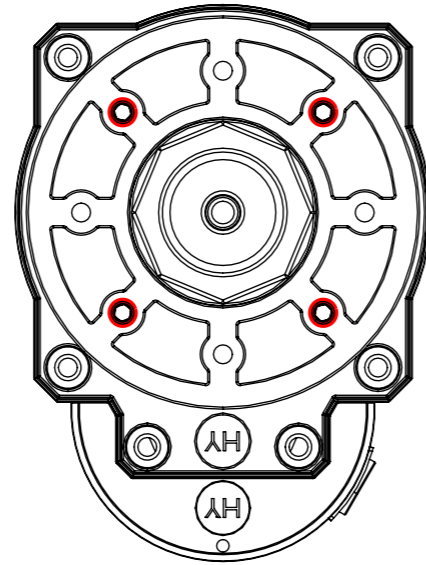
911807  
DRAWING: DRW-32517 ISS:A07  
23/05/2022



GRUB SCREWS LOCATION



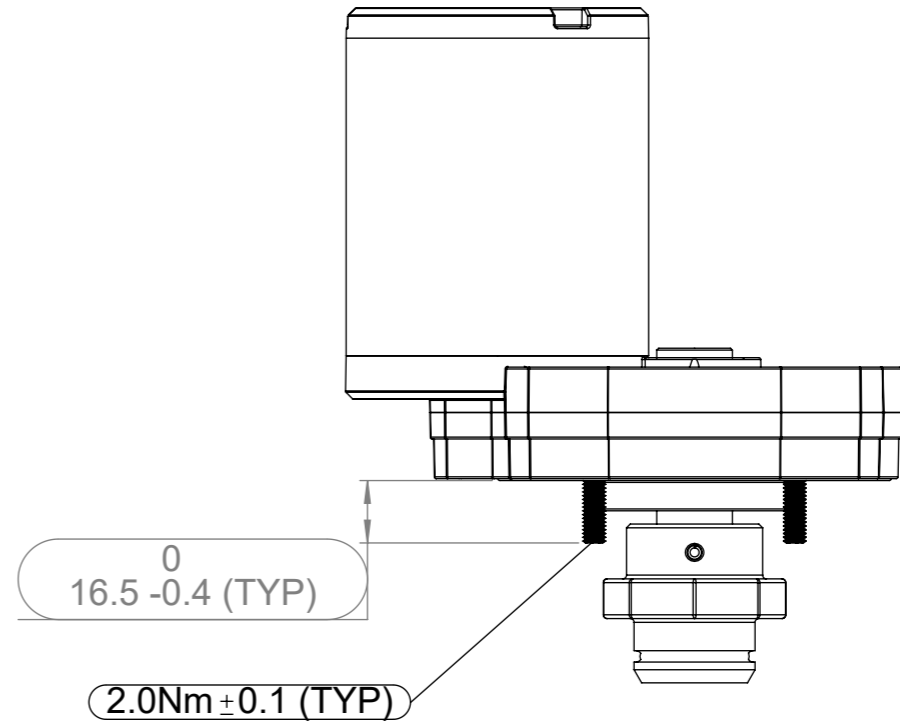
8mm Approx. THREADLOCK (TYP)



**Numatic International Spare Parts**

**Model No:** BRUSH MOTOR SUB ASSEMBLY

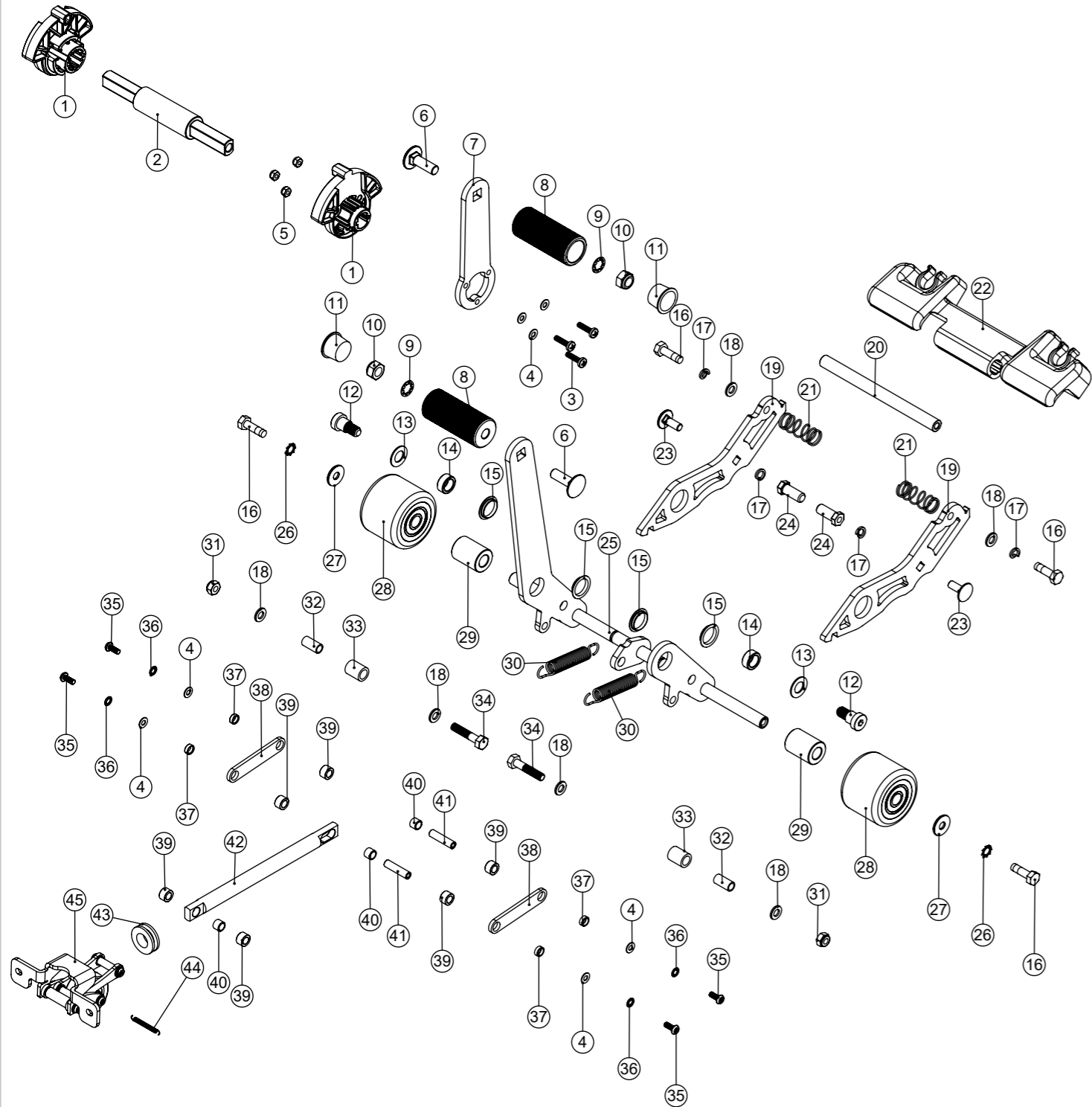
ITEM:	PART No:	DESCRIPTION	COMMENTS	QTY.
1	910623	HENGYE HC80B09 36V DC DIGITAL MOTOR		1
2	910739	CSD420 CHUCK	ALTERNATIVE ITEM NUMBERS: 914556, 914563, 914618	1
3	911808	SLOTTED SPRING PIN - SPIROL SLTP 4. X 12. D K ISO 8752		2
4	913375	M6 X 25 A2 S/ST HEX SKT SET CUP PT DI		4
5	915418	Silicone O-Ring, 21.82mm Bore		1



# Numatic International Spare Parts

**Model No:** SQUEEGEE AND LIFTING MECHANISM ASSEMBLY  
EXPLODED DRAWING

913365  
DRAWING: DRW-35122 ISS:A08  
20/04/2022



# Numatic International Spare Parts

**Model No:** SQUEEGEE AND LIFTING MECHANISM ASSEMBLY  
EXPLODED DRAWING

ITEM NO.	PART NO.	DESCRIPTION	COMMENTS	QTY.
1	914421	HUB MOULDING		2
2	910722	AXLE		1
3	219862	M4 X 16MM LONG POZI PAN STAINLESS STEEL SCREW	TORQUE TO 2.6Nm	3
4	219688	M4 FORM A STAINLESS STEEL WASHER		7
5	219687	M4 STAINLESS STEEL NYLON INSERT NUT		3
6	902010	M8 X 25 COACH BOLT S/S	TORQUE TO 9.5Nm	2
7	914431	FLOOR TOOL PEDAL PLATE		1
8	913614	FOOT PEDAL 1" O/D		2
9	902520	M8 INTERNAL WASHER SHAKEPROOF STAINLESS STEEL		2
10	219639	M8 STAINLESS STEEL NYLON INSERT NUT		2
11	913708	RED TAPERED CAP (11088)		2
12	913378	M8 SHOULDER BOLT, 8MM STAINLESS STEEL (LOW PROFILE)	TORQUE TO 10Nm	2
13	913439	THRUST WASHER (GTM-1018-010)		2
14	913237	SPACER 10.1MM ID X 15MM OD X 6.5MM		2
15	913217	IGUS BEARING (GFM-1516-02)		4
16	291144	M6 X 20MM LG HEX HEAD SCREW STAINLESS STEEL C/W THREADLOCK	TORQUE TO 8.5Nm	4
17	219718	WASHER.M6.SPRING.STAINLESS STEEL		4
18	219870	M6 FORM A WASHER STAINLESS STEEL		6
19	913255	FLOOR TOOL LINK ARM		2
20	910883	SQUEEGEE PIVOT TUBE		1
21	904784	COMPRESSION SPRING C5510990		2
22	911539	CSD FLOOR TOOL PLASTIC PLATE		1
23	291103	M6 X 16 COACH BOLT S/S	TORQUE TO 8.5Nm	2
24	910990	FLOOR TOOL LIFTING PIN		2
25	913270	AXLE SUPPORT WELD ASSEMBLY		1
26	902353	M6 EXTERNAL SHAKEPROOF WASHER STAINLESS STEEL		2
27	219647	M6 FORM G STAINLESS STEEL WASHER		2
28	914004	REAR WHEEL KIT (50MM x 40MM) - INCLUDES 2 X WHEELS		1
29	913219	NYLON SPACER 10MM ID X 20MM OD X 27MM LONG		2
30	913557	EXTENSION SPRING - SS304 - 11mm x 65mm		2
31	219642	M6 STAINLESS STEEL NYLON INSERT NUT		2
32	913245	SPACER 6MM OD X 8MM ID X 16MM LONG		2
33	913216	NYLON SPACER 8.2MM ID X 12MM OD X 15MM LONG		2
34	291022	M6 X 30MM LONG STAINLESS STEEL HEXAGONAL HEAD BOLT	TORQUE TO 8.5Nm	2
35	913223	M4 X 10MM TORX BUTTON SCREW - THREAD LOCKING STAINLESS STEEL	TORQUE TO 2.6Nm	4
36	291145	M4 SHAKEPROOF WASHER STAINLESS STEEL		4
37	913207	Ø8 O/D 6MM BORE 3MM WIDTH IGUS BEARING GSM-0608-03		4
38	913264	REAR LINKAGE		2
39	913208	NYLON SPACER 6.2MM ID X 10MM OD X 6MM		6
40	913212	Ø8 O/D 6MM BORE 6MM WIDTH IGUS BEARING GSM-0608-06		3
41	913280	CONNECTING ROD LINK SHAFT		2
42	913346	CONNECTING ROD		1
43	913243	SHAFT BEARING 12.5MM ID X 24MM OD X 7.5MM LONG		1
44	913546	EXTENSION SPRING - SS304 - 3.2mm x 31mm		1
45	913364	FRONT CASTOR ASSEMBLY		1

**Numatic International Spare Parts**

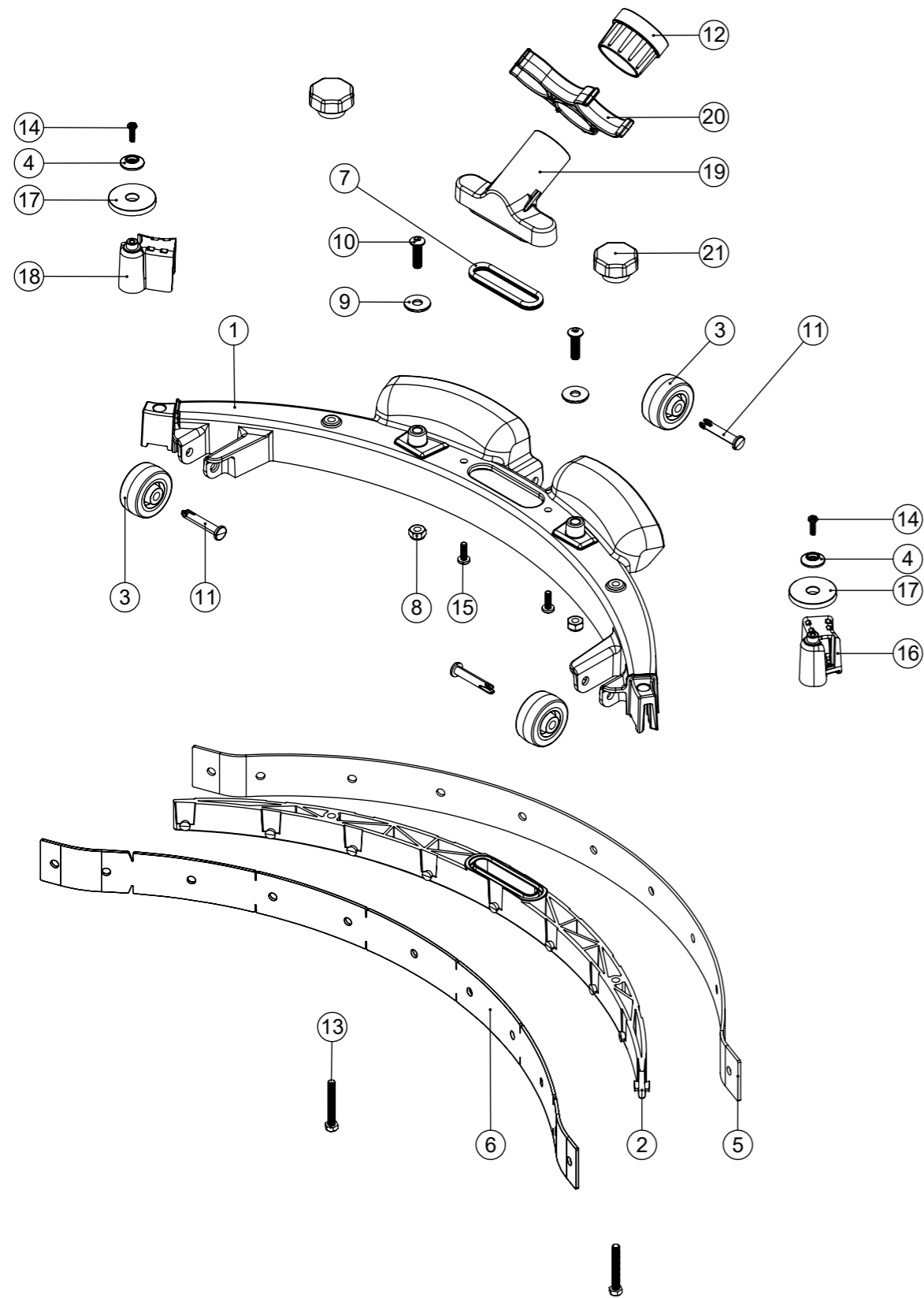
SQUEEGEE ASSEMBLY EXPLODED DRAWING

Model No:

911916

DRAWING: DRW-31959 ISS:A06

06/07/2021



**Numatic International Spare Parts**

SQUEEGEE ASSEMBLY EXPLODED DRAWING

Model No:

POS.	ITEM No.	DESCRIPTION	COMMENTS	QTY.
1	913895	SQUEEGEE OUTER DIE CASTING PAINTED SILVER		1
2	911516	CSD SQUEEGEE INNER MOULDING FOR DIE CASTING		1
3	208454	TTB 1840 SQUEEGEE WHEEL		3
4	208603	NYLON FINISHING WASHER (BLACK)		2
5 & 6	913810	CSD SQUEEGEE BLADE SET (FRONT AND REAR)		1
7	209077	DOOR SEAL EXTRUSION		1
8	219642	M6 STAINLESS STEEL NYLON INSERT NUT		2
9	219647	M6 FORM G STAINLESS STEEL WASHER		2
10	905556	M6 X 20MM LONG SOCKET BUTTON HEAD ST/ST BOLT	8.5Nm ± 0.5	2
11	911517	SNAP LOCK PIN		3
12	913846	32MM HOSE CUFF		1
13	905554	M5 X 35MM LONG HEXAGONAL HEAD SCREW ST/ST	5.0Nm ± 0.5	2
14	291053	3.5 X 12MM POZI PAN PLASTITE SCREW S/S	1.6Nm ± 0.1	2
15	219569	No8 X 1/2 INCH LONG POZI PAN STAINLESS STEEL PLASTITE SCREW	2.6Nm ± 0.1	2
16	914145	FLOOR TOOL END CAPS (LEFT AND RIGHT KIT) - INCL ITEMS 16, 18, 17, 14 & 4)		1
17	237266	BUFFER WHEEL		2
18	REFER ITEM 16			
19	912051	HOSE TRAP INLET		1
20	912052	HOSE TRAP CLIP		1
21	208455	TTB 1840 SQUEEGEE KNOB		2