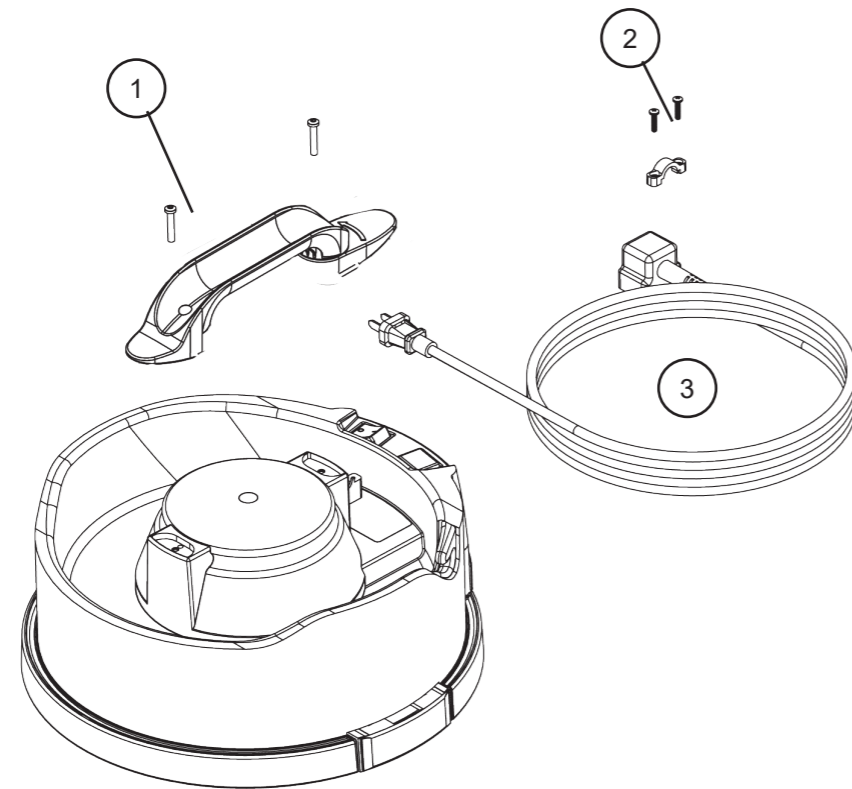
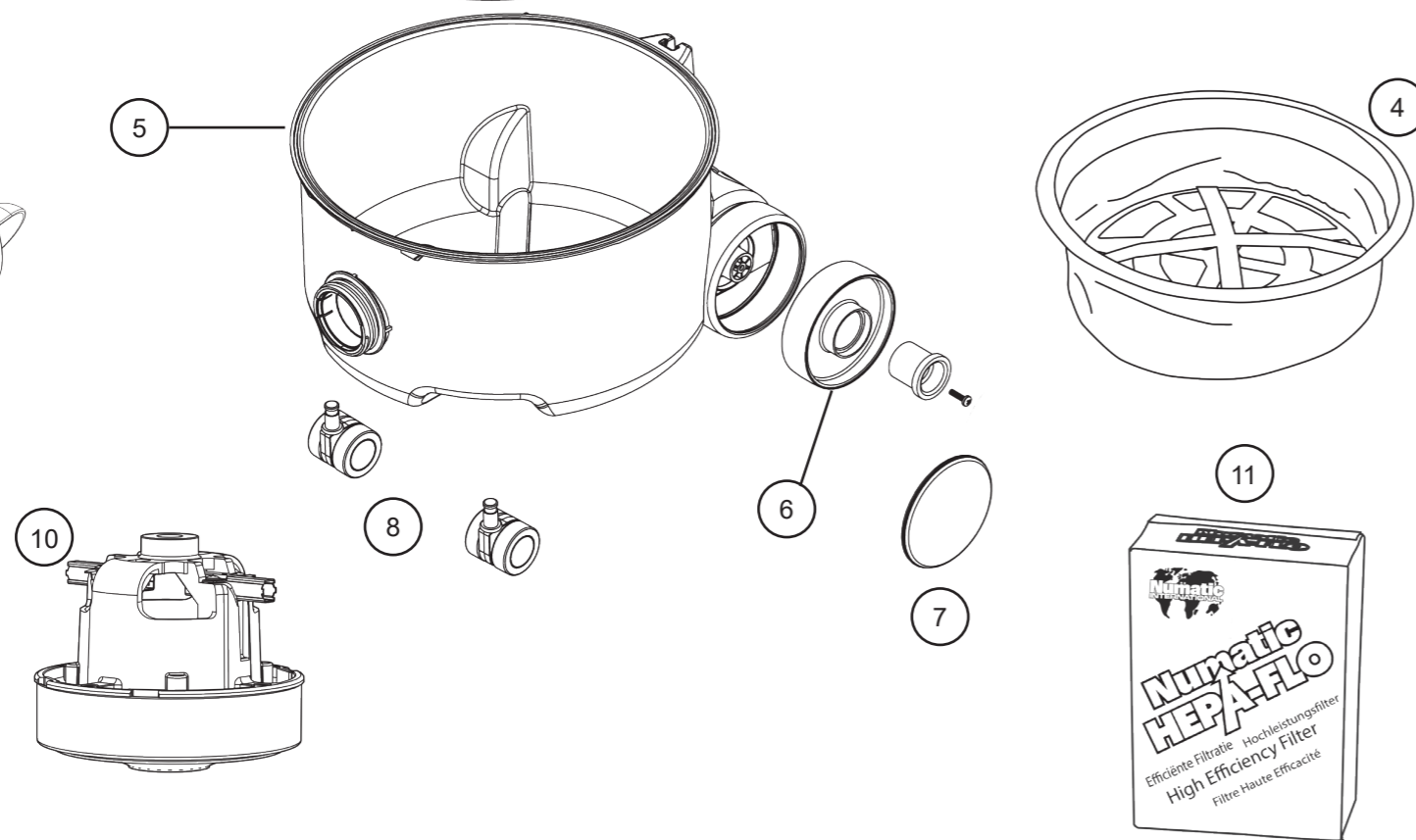


# Exploded Spare Parts. ERP 180-11 420W (ECO Recycled Plastic)



Number	Description	Kit Number
1	CABLE MANAGEMENT HANDLE - MAIN BODY	906071
	CABLE MANAGEMENT HANDLE - LOWER HOUSING	906072
	CABLE MANAGEMENT HANDLE - SWIVEL LOCK	906073
	NO8 X 1INCH PLASTITE T20 PAN SCREW	291082
2	PLUG LOCATION CLAMP	227564
	NO6.5/8 INCH LG POZI-PAN SCREW Z/PL PLASTITE	219107
3	10.0MT X 1MM X 2 CORE CABLE (SOCKET & PLUG) YELLOW CABLE AUS	911804

Number	Description	Kit Number
4	TRITEX FILTER	604165
5	180 DRUM COMPLETE BLACK RECYCLED	911695
6	WHEEL HUB FOR 2 SHOT WHEEL	227868
	HENRY WHEEL 2 SHOT MOULDING	227640
	NO8.5/8 INCH LG POZI-PAN SCREW Z/PL PLASTITE	219105
7	COLOURED WHEEL DISC (BLACK)	227638
8	40MM FRONT CASTORS FOR 180 DRUM	204000
9	DRY BAG CONNECTOR	237119
10	230V (420W) SINGLE STAGE THRU FLOW FAN MOTOR TCO	901792
11		
	BOX OF 10 NVM-1CH HEPAFLO BAGS	604015



## Genuine Accessories (903754 Kit AS0)

914411 FloMax Conical Hose

601008 32mm straight S/S wand  
601052 - 32mm bent S/S wand

902071 300mm Floor nozzle assy

601999 Accessory Kit

11



Numatic International Limited, Chard, Somerset, TA20 2GB  
 Telephone: 01460 68600  
 Fax: 01460 68458

UNITED KINGDOM: [www.numatic.co.uk](http://www.numatic.co.uk)  
 NETHERLANDS: [www.numatic.nl](http://www.numatic.nl)  
 PORTUGAL: [www.numatic.pt](http://www.numatic.pt)

GERMANY: [www.numatic.de](http://www.numatic.de)  
 SWITZERLAND: [www.numatic.ch](http://www.numatic.ch)  
 SPAIN: [www.numatic.es](http://www.numatic.es)

FRANCE: [www.numatic.fr](http://www.numatic.fr)  
 SOUTH AFRICA: [www.numatic.co.za](http://www.numatic.co.za)

[www.numatic.co.uk](http://www.numatic.co.uk)

Specification subject to change without prior notice  
[www.numatic.co.uk](http://www.numatic.co.uk) © Numatic International Limited