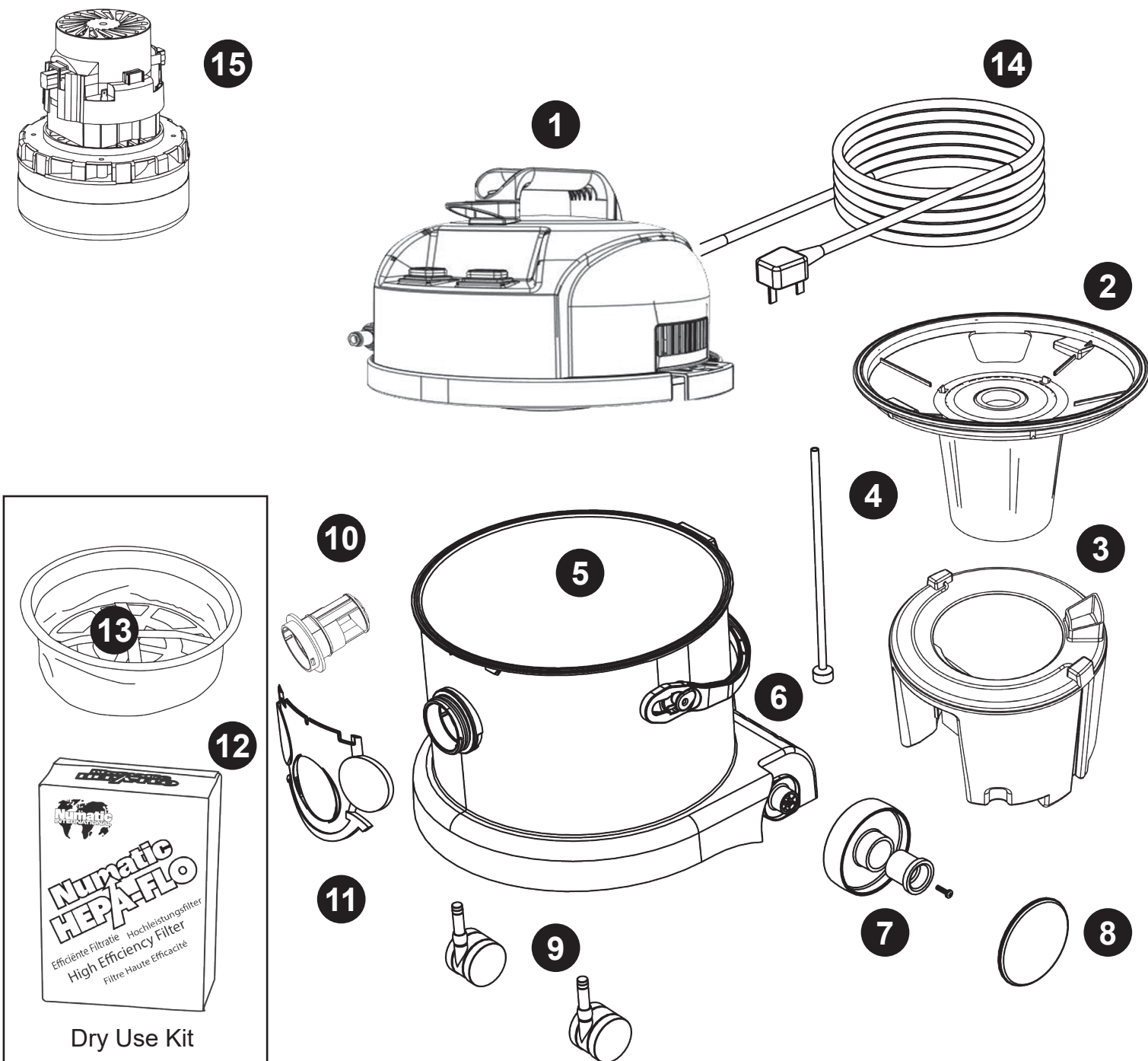


GVE370 Exploded Spares

DRY VACUUM RANGE



No	Description	Kit Number
1	Cable Management Handle (Lower Housing)	906072
	Cable Management Handle (Swivel Lock)	906073
	No8.1 Inch long pozi-pan screw stainless steel plastite	219369
2	Float cage assembly	502036
3	NVE3 Fluid container (solution tank)	227065
4	Solution tube with gauze filter	321670
5	370 Drum with accessory storage (Green) + Henry face	500696
6	Drum handle	907190
7	Whell hub for 2 shot wheel	227868
	Henry wheel 2 shot moulding	227640
	NO8.5/8 Inch long pozi-pan screw plastite	219105
8	Coloured Wheel Disc (Green)	227689
9	50mm Front castors for 370 drum	204111
10	Wet / Dry connector	206493
11	Green clip on face (boxed)	236102
12	Box of 10 NVM-2BH HepaFlo bags	604016
13	TriTex Filter	604165
14	10 Metre x 1.00MM x 2 Core Australian (Plugged)	236029
15	Bypass motor 230V (AcusTek motor) BL21104T	205443
	Pump Small Bore 220/240V/50HZ	216147
	Green / Black Everel (Non Illuminated) 125V / 250V On/Off Rocker Switch	914474
	Blue / Black Everel (Non Illuminated) 125V / 250V On/Off Rocker Switch	914475