

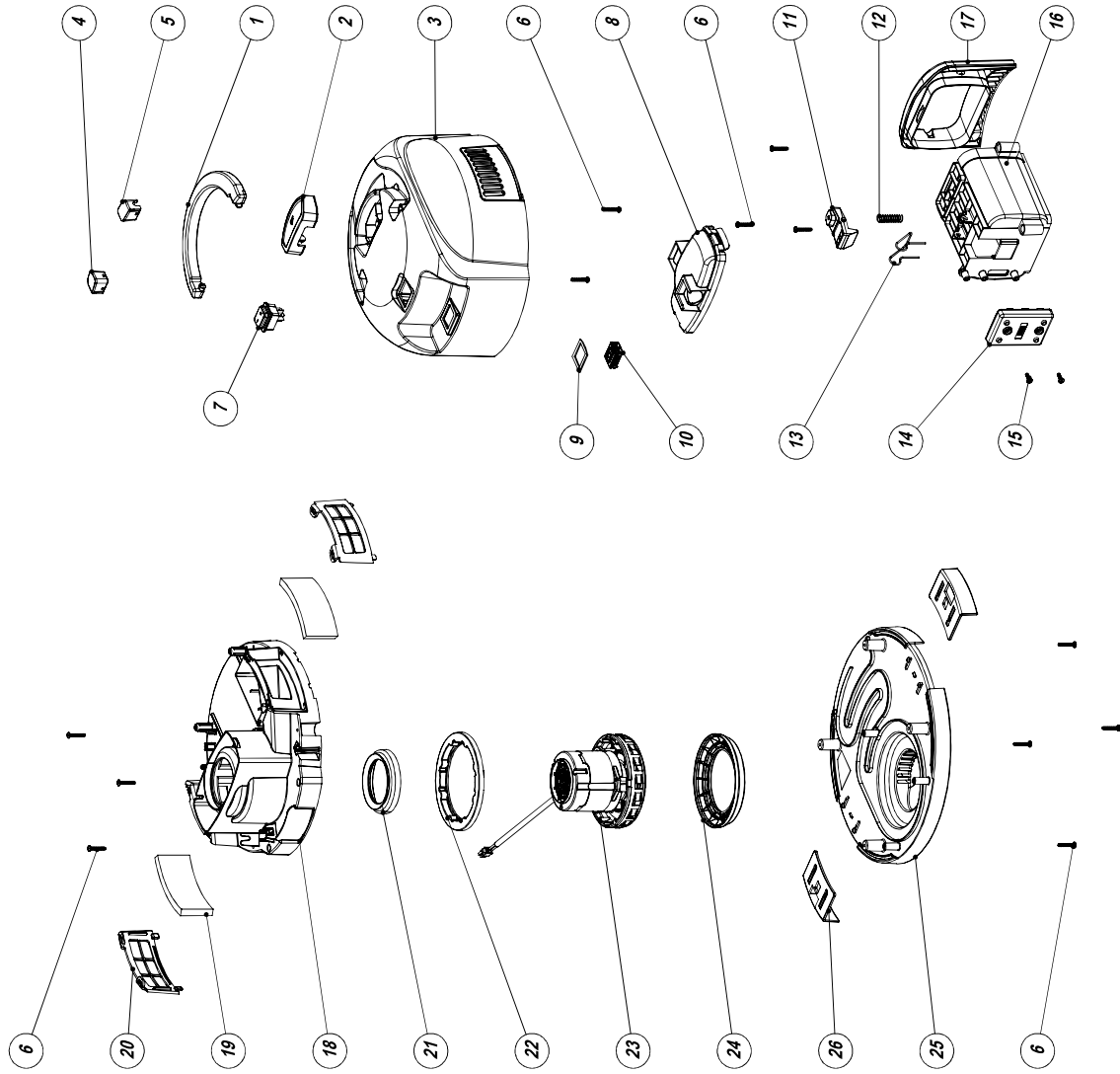
**Numatic International Spare Parts**

**Model No:** CORDLESS WET AND DRY - EXPLODED DRAWING

NB: FOR WIRING SEE DRAWING: DRW-39322 (915401)

914994

DRAWING: DRW-37911 ISS:A06.00



**Numatic International Spare Parts**

**Model No:** CORDLESS WET AND DRY - EXPLODED DRAWING

ITEM NO.	PART NUMBER	DESCRIPTION	QTY	COMMENTS:
1	227120	HANDLE - HVR/HET/IRV	1	
2	914934	EJECT BUTTON - CORDLESS WET AND DRY	1	
3	914932	COVER - CORDLESS WET AND DRY (WITHOUT PUMP CUT OUT)	1	
4	915377	HANDLE RETAINER - LH	1	
5	915378	HANDLE RETAINER - RH	1	
6	219369	N08 X 1 INCH LONG POZI PAN STAINLESS STEEL PLASTITE SCREW	12	TORQUE TO 2.6Nm±0.15
7	914474	GREEN /BLACK EVEREL (NON ILLUMINATED) 125V / 250V ON/OFF ROCKER SWITCH	1	
8	914930	TOP MOTOR COVER - CORDLESS WET AND DRY	1	
9	291015	SWITCH GASKET - WV/CT	1	
10	903030	LED BATTERY LIFE INDICATOR WITH PCB	1	
11	914929	BATTERY LATCH - CORDLESS WET AND DRY	1	
12	216465	11MM COIL SPRING	1	
13	216655	BATTERY RELEASE SPRING	1	
14	914662	ASSEMBLY NX300 WET AND DRY	1	
15	219569	N08 X 1/2 INCH LONG POZI PAN STAINLESS STEEL PLASTITE SCREW	2	TORQUE TO 1.6Nm±0.15
16	914928	BATTERY HOUSING - CORDLESS WET AND DRY	1	
17	915363	REAR PANEL - CORDLESS WET AND DRY	1	
18	914927	TOP MOTOR HOUSING - CORDLESS WET AND DRY	1	
19	914989	EXHAUST FOAM - CORDLESS WET AND DRY	2	
20	914935	FOAM RETAINER - CORDLESS WET AND DRY	2	
21	914926	TOP GASKET - CORDLESS WET AND DRY	1	
22	914925	MID GASKET - CORDLESS WET AND DRY	1	
23	914156	CINDERSON BYPASS MOTOR ASSEMBLY (36V DC 400W)	1	
24	914924	BOTTOM GASKET - CORDLESS WET AND DRY	1	
25	914922	BOTTOM MOTOR HOUSING - CORDLESS WET AND DRY	1	
26	237115	NRV HARD EDGE TOGGLE	2	

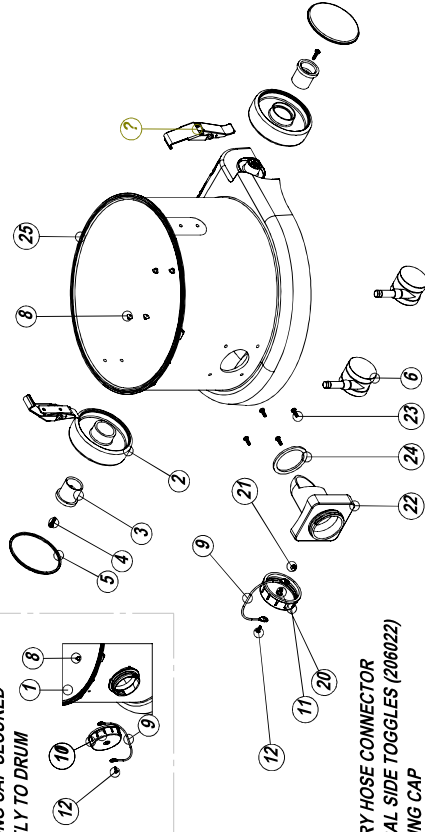
# Numatic International Spare Parts

Model No: DRUM STYLE 27 EXPLODED DRAWING

Internal Code:

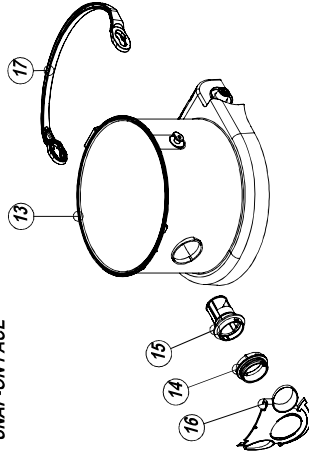
DRAWING: DRW-26655 ISS:A04  
13/08/2018

BLANKING CAP SECURED  
DIRECTLY TO DRUM

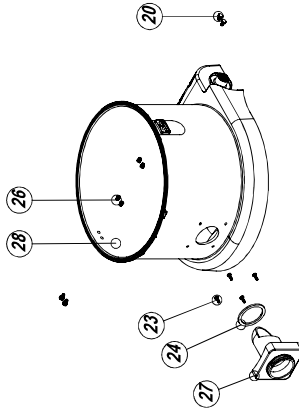


LOW DRY HOSE CONNECTOR  
VERTICAL SIDE TOGGLES (206022)  
BLANKING CAP

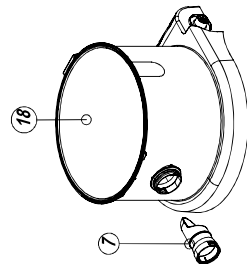
WET HOSE CONNECTOR  
DRUM HANDLE  
SNAP-ON FACE



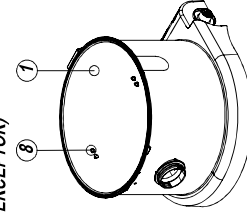
LOW DRY HOSE CONNECTOR  
HORIZONTAL SIDE TOGGLES (METAL HEAD)



DRY HOSE CONNECTOR



HORIZONTAL SIDE TOGGLES  
(INTERCEPTOR)



# Numatic International Spare Parts

Model No: DRUM STYLE 27 EXPLODED DRAWING

POS.	ITEM NO.	DESCRIPTION	QTY.	COMMENTS
1	-	POST PROCESSED DRUM STYLE 27 (370) - BLANKING CAP, DRY USE	1	CONTACT NUMATIC
2	227640	2 SHOT WHEEL ASSEMBLY	2	
3	227868	WHEEL HUB FOR 2 SHOT WHEEL	2	
4	219105	N08 X 5/8 INCH LONG POZI PAN PLASTITITE SCREW	2	
5	-	WHEEL TRIM	2	CONTACT NUMATIC
6	204067	50MM BLACK TWIN CASTOR	2	
7	237119	FRONT FIT BAG CONNECTOR	1	
8	N/A	AVDEL RIVET	-	
9	-	BLANKING CAP FIXING WIRE	1	
10	219003	M5 FORM A STEEL WASHER	1	
11	206363	BLANKING CAP	1	
12	219301	N06 X 3/8 INCH LONG POZI PAN SELF TAP SCREW	1	
13	-	DRUM STYLE 27 - CV / GVE	1	CONTACT NUMATIC
14	-	THREADED NECK	1	CONTACT NUMATIC
15	206493	WET DRY CONNECTOR	1	
16	-	PARALLEL SNAP FIT FACE PRINTED	1	CONTACT NUMATIC
17	907190	DRUM STYLE 27 PLASTIC HANDLE	1	
18	-	DRUM STYLE 27 - DRY USE	1	
19	N/A	SMALL CLAW TOGGLE (ZINC PLATE FINISH)	2	
20	219047	M5 X 10MM LONG POZI PAN SEMS SCREW	4	
21	219076	M5 NYLON INSERT NUT	4	
22	303035	DRILLED DRUM FLANGE	1	
23	219101	N08 X 1/2 INCH LONG POZI PAN PLASTITITE SCREW	4	
24	202027	HOSE FLANGE GASKET	1	
25	-	POST PROCESSED DRUM STYLE 27 (370) - LOWER NECK (VERTICAL TOGGLES)	1	CONTACT NUMATIC
26	219477	TAPPEX INSERT	4	
27	206024	DRY HOSE CONNECTOR FLANGE	1	
28	-	POST PROCESSED DRUM STYLE 27 (370) - LOWER NECK (HORIZONTAL TOGGLES)	1	